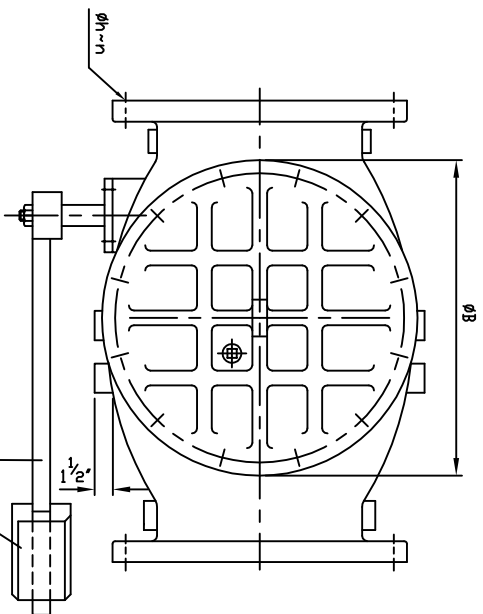


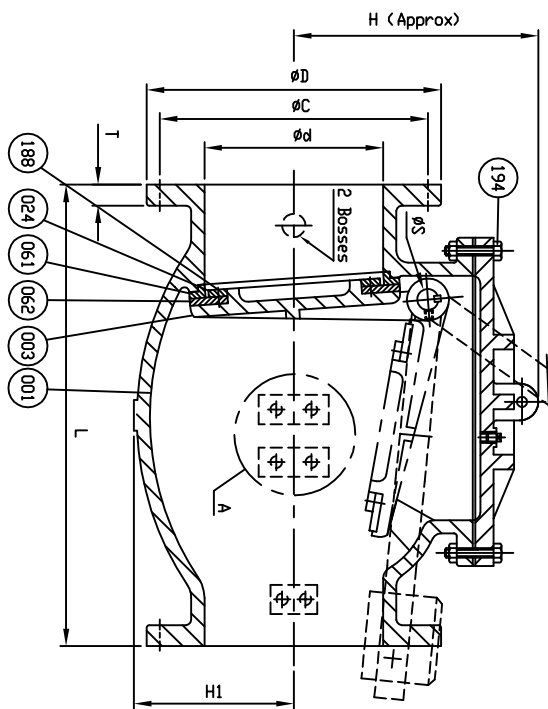
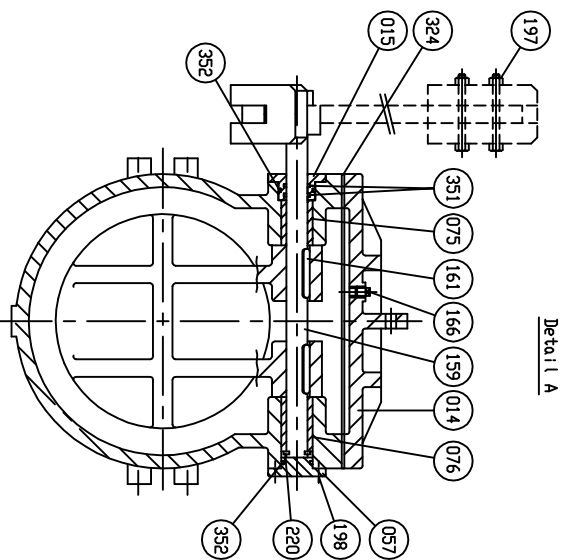
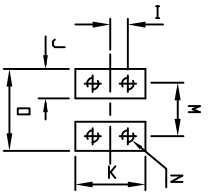
SUPPLIED WITH 8 MILS AMERLOCK 2 RED OXIDE EPOXY INTERIOR AND EXTERIOR OF THE VALVE

REFERENCE ONLY



Marking

SIZE (INCH)
 CONE
 150 CMP
 ANWA C508
 SERIES 8000
 PURGING DATE



- Dimensions in inches

SIZE ød in, mm,	L	ANSI B16.1 CL. 125				øS	øB	H	H1	I	J	K	M	N	O	
		øD	øC	øh	n											T
14 (350)	31	21	18 3/4	1 1/8	12	13 3/8	1 3/4	22 3/16	19 3/16	12 1/16	1	2 1/8	4 1/2	4	3/4 x 10 x (UNCD)	6
16 (400)	36	23 1/2	21 1/4	1 1/8	16	17 1/16	2	24 1/8	21 1/2	13 1/4	1	2 1/8	4 1/2	4	3/4 x 10 x (UNCD)	6

NO.	PARTS	MATERIAL	LIST	ASTM DESIGNATION	QTY
352	D-Ring C	Rubber (Buna ND)	D 2000 BK 707		2
351	D-Ring B	Rubber (Buna ND)	D 2000 BK 707		2
324	Cover Gasket	Rubber (Buna ND)	D 2000 BK 807		1
220	Snap Ring	Stainless Steel	A 276 Type 420		1
198	End Plate Bolt	Zinc Coated Steel	A 307 Grade B		1set
197	Weight Bolt	Zinc Coated Steel	A 307 Grade B		2
194	Cover Bolt & Nut	Zinc Coated Steel	A 307 Grade B		1set
188	Disc Seat Bolt	Stainless Steel	A 276 Type 304		1set
166	Plug ø1'	Stainless Steel	A 276 Type 304		1
161	Key	Stainless Steel	A 276 Type 304		2
159	Hinge Pin	Stainless Steel	A 276 Type 304		1
155	Weight Arm	Ductile Iron	A 536 Gr. 65-45-12		1
076	Bushing (B)	Bronze	B 62		1
075	Bushing (A)	Bronze	B 62		1
062	Disc Seat Ring	Rubber (Buna ND)	D 2000 BK 807		1
061	Body Seat Ring	Bronze	B 62		1
057	End Plate (B)	Ductile Iron	A 536 Gr. 65-45-12		1
024	Seat Holder	Ductile Iron	A 536 Gr. 65-45-12		1
016	Weight	Cast Iron	A 126 Class B		1
015	End Plate (A)	Bronze	B 62		1
014	Cover	Cast Iron	A 126 Class B		1
003	Disc	Ductile Iron	A 536 Gr. 65-45-12		1
001	Body	Cast Iron	A 126 Class B		1

TEST	PRESSURE
HYDRD SHELL	300 PSI.
HYDRD VALVE SEAT	150 PSI.
HYDRD BACK SEAT	— PSI.
AIR SEAT	— PSI.
STEAM	— PSI.
WORKING PRESSURE	150 PSI.

MUELLER CO.

500 WEST ELDORADO ST., P.O. BOX 671 DECATUR, IL 62525 PHONE: 217-423-4471

DATE 10/20/10 REF. DWG. USA1362D

DR. JON COLPAIN DATE 10/20/10 REF. DWG. USA1362D

N.T.S. CHK. JPP. E.C.N.

TITLE: SIZE 14" & 16" SWING CHECK VALVE ANWA C508 BRONZE BODY SEAT RING & BUNA N DISC SEAT RING WITH ONE LEVER AND WEIGHT

TYPE: A2602-6B11LW DWG. NO. M80005 REV. 2