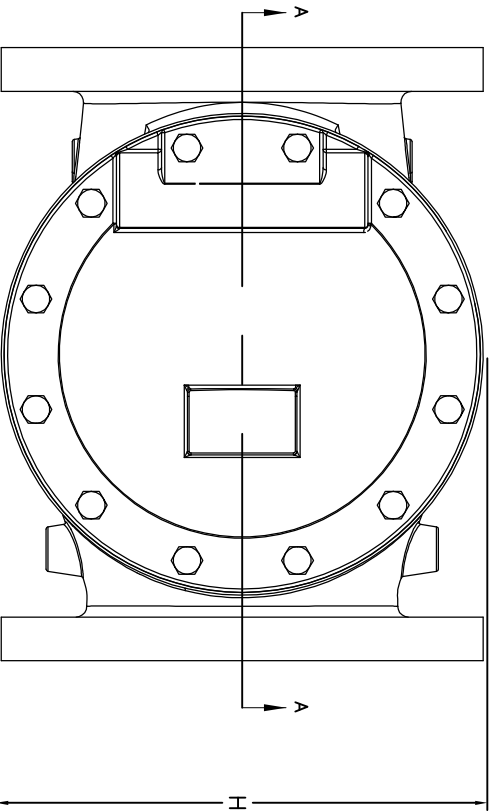
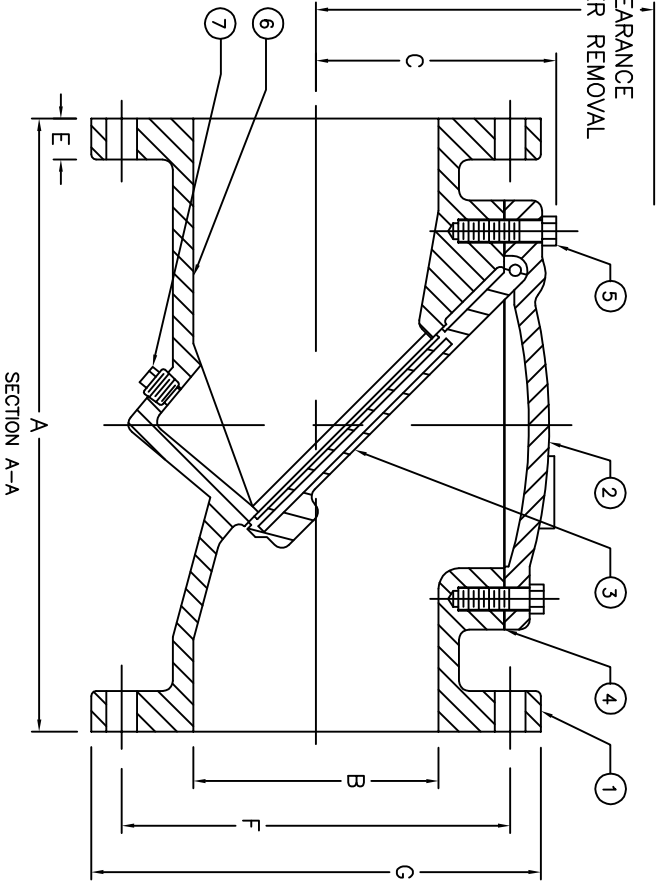


'D' CLEARANCE  
FOR COVER REMOVAL



| VALVE SIZE         | A    | B    | C     | D     | E       | F     | G    | H    | BOLT SIZE | NO. OF BOLTS | PLUG SIZES |
|--------------------|------|------|-------|-------|---------|-------|------|------|-----------|--------------|------------|
| 2                  | 8.0  | 2.0  | 3.38  | 5.75  | 5/8     | 4.75  | 6.0  | 5.2  | 5/8       | 4            | 3/4" NPT   |
| 2-1/2              | 8.5  | 2.5  | 3.38  | 5.75  | 11/16   | 5.5   | 7.0  | 6.8  | 5/8       | 4            | 3/4" NPT   |
| 3 to 16 SEE NOTE 2 |      |      |       |       |         |       |      |      |           |              |            |
| 18                 | 36.0 | 18.0 | 17.13 | 28.94 | 1-9/16  | 22.75 | 25.0 | 29.1 | 1-1/8     | 16           |            |
| 20                 | 40.0 | 20.0 | 19.13 | 31.13 | 1-11/16 | 25.0  | 27.5 | 31.9 | 1-1/8     | 20           | 3" NPT     |
| 24                 | 48.0 | 24.0 | 22.75 | 38.75 | 1-7/8   | 29.5  | 32.0 | 38.3 | 1-1/4     | 20           |            |

| ITEM | QTY | DESCRIPTION     | MATERIAL        | ASTM DESIGNATION          |
|------|-----|-----------------|-----------------|---------------------------|
| 7    | 1   | PLUG            | DUCTILE IRON    | ASTM A-536-GR 65-45-12    |
| 6    | 1   | INTERIOR LINING | EPOXY           | -                         |
| 5    | AR  | BONNET BOLTS    | STEEL           | SAE GRADE 5 - ZINC PLATED |
| 4    | 1   | GASKET          | RUBBER (BUNA N) | D2000 BK 807              |
| 3    | 1   | DISC            | STEEL/BUNA-N    | ASTM-A36 / D2000 BK 807   |
| 2    | 1   | BONNET          | DUCTILE IRON    | ASTM A-536-GR 65-45-12    |
| 1    | 1   | BODY            | DUCTILE IRON    | ASTM A-536-GR 65-45-12    |

| DATE  | REVISIONS                                | BY | TITLE                       |
|-------|--|----|-----------------------------|
| 03/11 | ADDED SEE DRAWING NOTE                   | RR | 2" TO 2-1/2" AND 18" TO 24" |
| 07/11 | DIM. CHANGE IN COLUMN 'D' [CR# 532]      | AA | FIG. 851 CLASS 150          |
| 11/11 | ADDED DIMENSION 'H' & TOP VIEW [CR# 581] | JC | FLEX CHECK                  |



BY: RR DATE: 03/02/11 SCALE: NONE  
 CHK'D BY: DIMENSION: INCHES

| ISSUE NUM. | DATE  | REVISIONS                                | BY | TITLE                       |
|------------|-------|--|----|-----------------------------|
| 1          | 03/11 | ADDED SEE DRAWING NOTE                   | RR | 2" TO 2-1/2" AND 18" TO 24" |
| 2          | 07/11 | DIM. CHANGE IN COLUMN 'D' [CR# 532]      | AA | FIG. 851 CLASS 150          |
| 3          | 11/11 | ADDED DIMENSION 'H' & TOP VIEW [CR# 581] | JC | FLEX CHECK                  |

NOTES:  
 1- FLANGES ARE PER ANSI B16.1 CLASS 125/150 FLAT FACED.  
 2- SEE DRAWING MSS0634 FOR 3" TO 16" DIMENSION.

DWG. NO. MSS0644