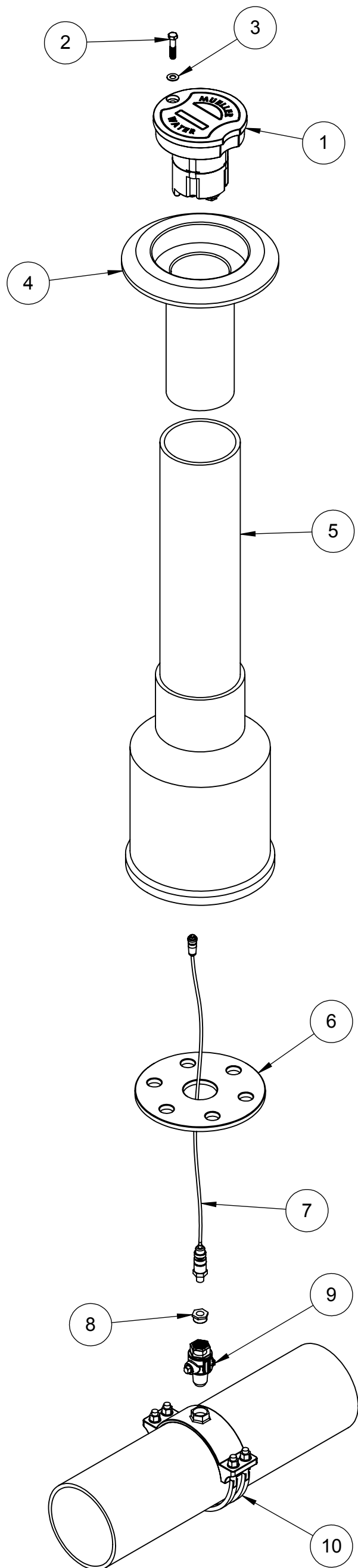


ITEM	DESCRIPTION	QTY.
1	RTU (Remote Telemetry Unit)	1
2	3/8-16 x 1 3/4" hex head cap screw - ss	1
3	3/8" SAE flat washer - ss	1
4	AJBV-4D ductile iron adjustable top - 12" length	1
5	Mueller Composite Valve Box - 5 ft	1
6	Guide Plate	1
7	Sensor Sub-assembly	1
8	Reducer - 3/4" NPT to 1/4" NPT	1
9	Mueller 300 NL Ball Corp. Valve 3/4"	1
10	Bronze service saddle - double strap	1



UNLESS OTHERWISE SPECIFIED:

DIMENSIONS ARE IN INCHES
TOLERANCES:
FRACTIONAL: ±
ANGULAR: MACH ± BEND ±
TWO PLACE DECIMAL ±
THREE PLACE DECIMAL ±

REV. 5-5-14

MUELLER CONFIDENTIAL
TITLE TO AND OWNERSHIP OF THIS
ENGINEERING DATA REMAINS IN
MUELLER CO. NO USE IS TO BE
MADE OF THIS DATA EXCEPT AS
SPECIFICALLY AUTHORIZED BY
MUELLER CO. ASSENT ON THE
PART OF THE RECIPIENTS TO
THESE CONDITIONS IS PRESUMED.



MATERIAL:

FINISH:

	NAME	DATE
DRAWN	JMH	3/5/2014
CHECKED		
ENG APPR.		
MFG APPR.		
Q.A.		

DESCR.		
Pressure Sensor System - Full Assembly		
SIZE	DWG. NO.	REV
B	C1202-A003-mkt-1	
SCALE: 1:16	WEIGHT:	SHEET 1 OF 2

DO NOT SCALE DRAWING