

Shaded area
indicates
change

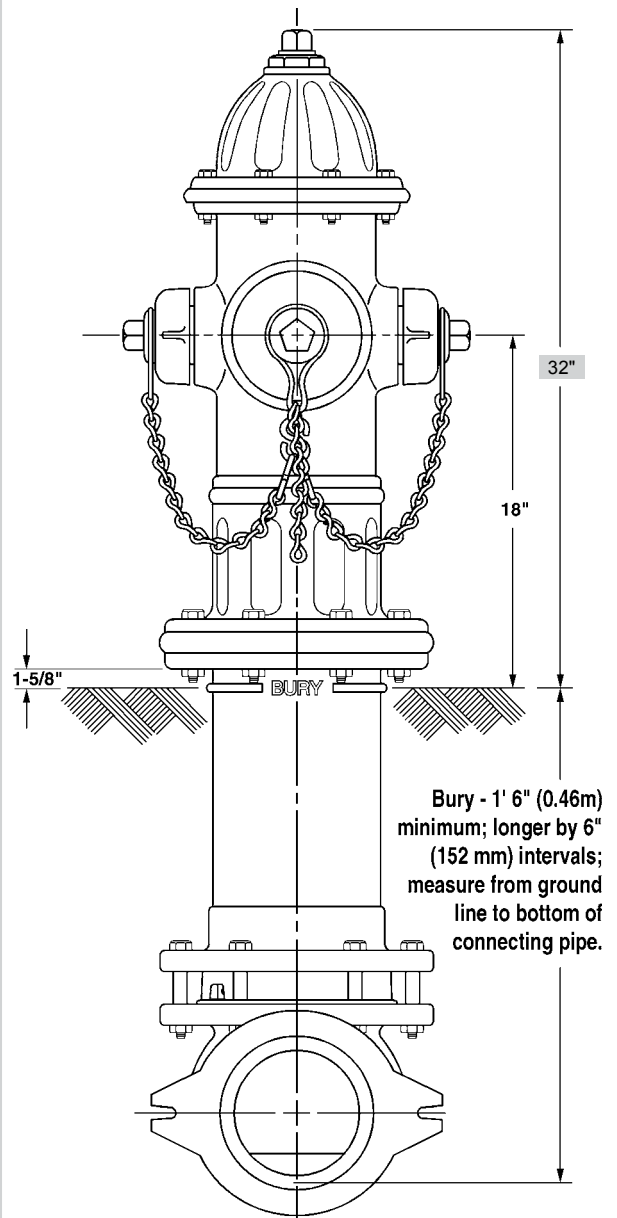
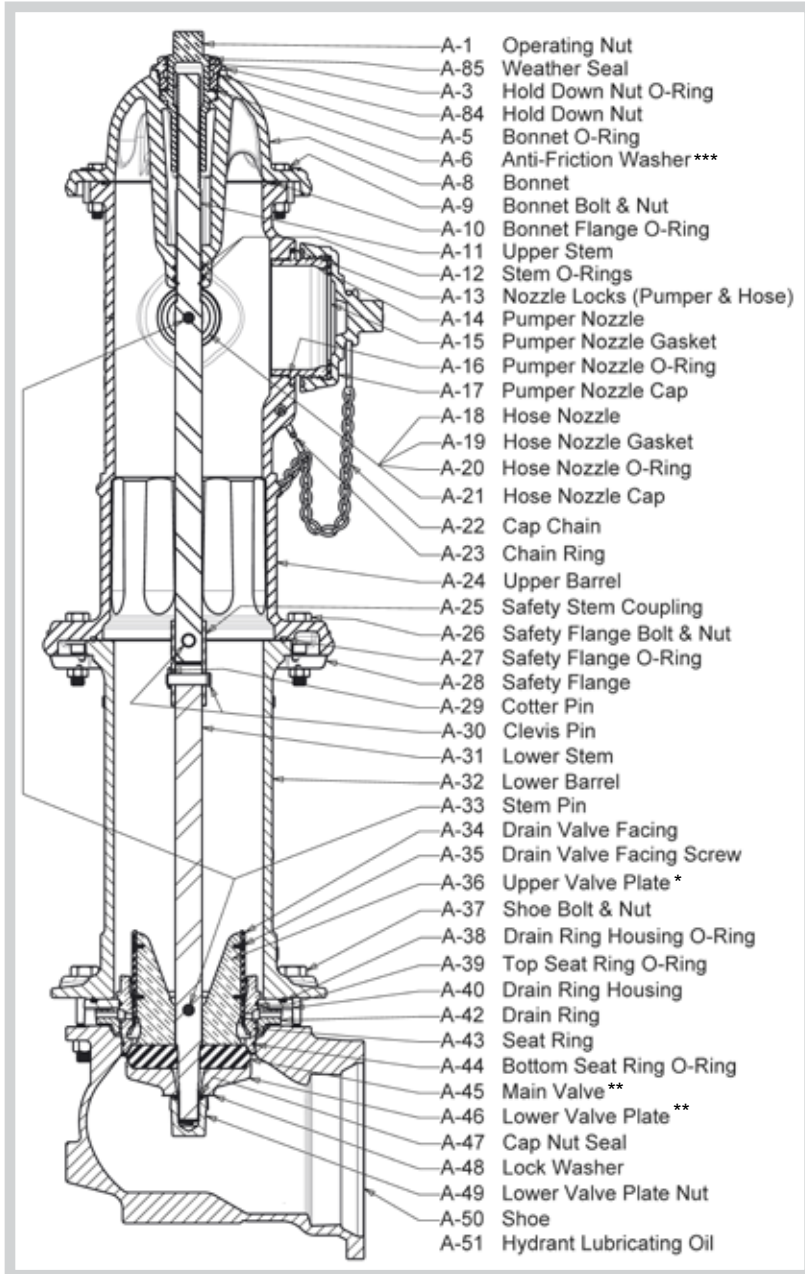
**SUPER CENTURION
FIRE HYDRANT
REPLACEMENT PARTS**

Mueller Co.

UL / FM

FIRE PROTECTION PRODUCTS

**4-1/2" and 5 1/4" UL/FM Mueller Super Centurion Fire Hydrant replacement parts
(for 200™, 250™, and 350™ models)**



5 1/4" Hydrant is Shown

* A-36 includes A-34 and A-35.

** For pre-1997 hydrants: If replacing Main Valve or Lower Valve Plate, both parts must be replaced as they have been redesigned to make the Main Valve reversible. Original non-reversible Main Valve and its matching Lower Valve Plate have been discontinued (1997 and later hydrants incorporate both the redesigned parts).

***For 350 psig option, A-6 is a roller thrust bearing, Steel.