

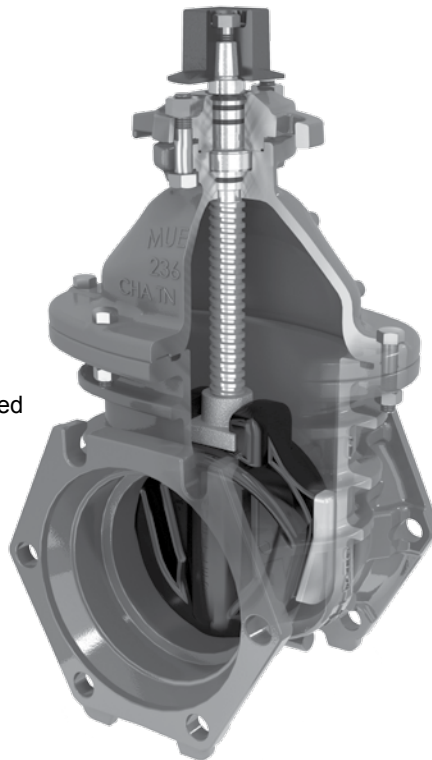
## FIRE PROTECTION PRODUCTS

### Mueller 2300 Series Resilient Wedge Gate Valves

Mueller Resilient Wedge Gate Valves have features to make them easier to operate and to preserve the sealing capability and interior coating integrity for many years of reliable service. In addition to popular end connection options, Mueller brand RW valves can be ordered with Mueller's exclusive AquaGrip® System that incorporates an O-ring sealed compression connection and integral pipe restraint in one "ready to use" easy and quick to install package.

### Mueller 4" - 12" 2361 Series Resilient Wedge Gate Valves

- TRIPLE O-RING SEALS – two above thrust collar and one below, retain lubricant in this critical area. Top two are replaceable with valve fully open and under pressure. Fourth o-ring serves as a dirt seal.
- TWO ANTI-FRICTION WASHERS WITH LUBRICATION – made of polymer, one above and one below thrust collar, reduce operating torque to open or close valve.
- STEM – forged manganese bronze bar stock is upset, then machined to form thrust collar for superior strength in this critical area.
- WEDGE – Ductile iron, fully encapsulated in molded rubber complying with ASTM D2000 - no exposed iron.
- EXTENDED WEDGE GUIDES – molded as part of wedge, ride inside body channels to maintain wedge alignment throughout its travel, preventing disc from tilting.
- GUIDE CAP BEARINGS – made of polymer and snapped over rubber covered wedge guides, provide bearing surfaces that protect both wedge and interior body coating from wear and aid in easy operation – even the largest valves installed horizontally. Rollers, tracks, and scrapers are not needed.



- SMOOTH, OVERSIZED FLOW WAY – full, round, unobstructed flow way accommodates full size cutters, provides superior flow characteristics and reduces pumping costs.\*\*
- MUELLER PRO-GARD™ FUSION BONDED EPOXY COATING – 10 mils\* thick protects all inside and outside iron surfaces, and complies with AWWA C550.
- 350 PSIG MAXIMUM WORKING PRESSURE\*\*\* – Hydrostatically tested at 700 psig (4800 kPa/48 barg)
- AMERICAN MADE QUALITY – factory in Chattanooga, TN with ISO 9001 certification. Certified to ANSI/NSF 61 & 372. Manufactured and tested in compliance with ANSI/AWWA Standard C515. UL 262 Listed and FM 1120/1130 Approved.
- BI-DIRECTIONAL FLOW
- FLAT BOTTOM SURFACES – stands upright for easier handling and storage.
- 10-YEAR LIMITED WARRANTY – assured reliability (see separate Mueller Warranty document for terms).

### Mueller 14" - 24" 2361 Series Resilient Wedge Gate Valves

- WEDGE – 14"-24" have ductile iron wedge, both are fully encapsulated in molded rubber complying with ASTM D2000.
- BODY AND BONNET – Ductile iron.
- COMPLIANCE – In addition to those above: ANSI/AWWA Standard C515 and ANSI/NSF 61 & 372.



- MAXIMUM WORKING PRESSURE
  - 14"-16" AWWA/UL/FM are rated for 250 psig (1725 kPa/17 barg) (A2361, P2361 & R2361)
  - 18"-24" AWWA rated for 250 psig (1725 kPa/17 barg) (A2361 & P2361)
  - 18"-24" UL rated for 175 psig (1200 kPa/12 barg) (A2361, P2361 & R2361)

All valves hydrostatically tested at 500 psig

\*Nominal

\*\*16" valve requires 1/2" undersized cutter.