

SECTION B-1

Rev. 7-16

Shaded area
indicates change

N.R.S. RESILIENT WEDGE GATE VALVE WITH AQUAGRIP x FL. ENDS

Mueller Co.
Reliable Connections™

UL / FM

FIRE PROTECTION PRODUCTS

P-2361-76 AQUAGRIP ENDS FOR DIPS X FLANGED
Indicator Post Style Stuffing Box
2" Square Wrench Nut

- 4", 6", 8", 10", 12" size DIPS
- 4", 6", 8" size IPS
- UL 262 Listed and FM 1120/1130 Approved and certified to ANSI/NSF 61 & 372
- Iron body with Mueller® PRO-GARD® Fusion Bonded Epoxy Coated interior and exterior surfaces
- Non-rising bronze stem
- Rubber encapsulated iron wedge

P-2361-86 AQUAGRIP ENDS FOR IPS X FLANGED
Indicator Post Style Stuffing Box
2" Square Wrench Nut

- 200psig (1375 kPa/14 barg) maximum working pressure, 500 psig (3450 kPa/35 barg) static test
- Triple O-ring seal (2 above the thrust collar and 1 below)
- Epoxy coating meets or exceeds all applicable requirements ANSI/AWWA C550
- Flanged end drilling complies with ASME/ANSI B16.1 Class 125

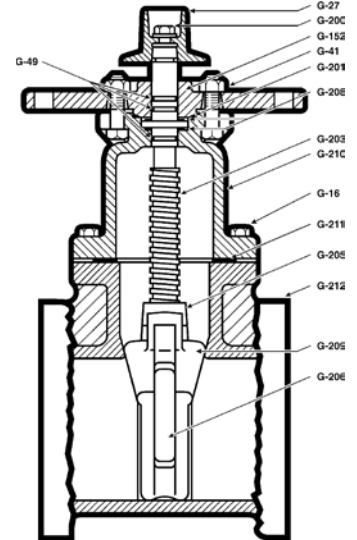


Options

- Stainless steel fasteners: Type 316
- Stainless steel stem: Type 304 and Type 316
- ASTM B98-C66100/H02 stem
- EPDM disc and o-rings

PARTS LIST

Catalog Part Number	Description	Material	Material Standard
G-16	Bonnet Bolts & Nuts	304 Stainless Steel	ASTM F593 (bolt)/ASTM F594 (nut)
G-27	Wrench Nut	Ductile Iron	ASTM A536 ▼
G-41	Stuffing Box Bolts and Nuts	304 Stainless Steel	ASTM F593 (bolt)/ASTM F594 (nut)
G-49	Stem O-rings (3)	Nitrile	ASTM D2000
G-152	Stuffing Box	Ductile Iron	ASTM A536 ▼
G-200	Wrench Nut Cap Screw	304 Stainless Steel	ASTM F593
G-201	Stuffing Box Seal	Nitrile	ASTM D2000
G-203	Stem	Bronze	ASTM B138
G-205	Stem Nut	Bronze	ASTM B584
G-206	Guide Cap Bearings	Acetal	-
G-208	Anti-friction Washers (2)	Acetal	-
G-209	Wedge/Rubber Encapsulated	Ductile Iron**	ASTM A536 ▼
G-210	Bonnet	Ductile Iron	ASTM A536 ▼
G-211	Bonnet Gasket	Nitrile	ASTM D2000
G-212	Body	Ductile Iron	ASTM A536 ▼
G-213	Double O-ring***	EPDM	ASTM D2000
G-214	Intermediate Ring***	Ductile Iron	ASTM A536 ▼
G-215	Gripper Ring***	Ductile Iron	ASTM A536 ▼
G-216	End Ring***	Ductile Iron	ASTM A536 ▼
G-217	Breakaway Nut with Washer***	Steel	ASTM A108/Zinc Plated
G-218	T-head Bolt (not shown)	Steel	ASTM A242/Low Alloy (Corten)



DIMENSIONS

Dimension*	Size				
	4"	6"	8"	10"	12"
A	14.19	18.00	21.50	25.50	28.62
FF	10.93	12.9	14.28	15.58	16.51
E	12.00	12.00	12.00	12.00	12.00
F	3.70	3.70	3.70	3.89	3.89
G (number and size of holes for AquaGrip)	4--.88"	4--.88"	6--.88"	8--.88"	8--.88"
R	9.00	11.00	13.50	16.00	19.00
Q (bore)	4.30	6.30	8.30	10.30	12.30
KK	2.75	3.75	3.75	3.75	3.75
UU (bolt circle diameter for FL)	7.50	9.50	11.75	14.25	17.00
B (number and size holes for FL)	8--.75"	8--.88"	8--.88"	12--1.00"	12--1.00"
Turns to open	14	20.5	26.5	33.0	38.5
Weight (lbs.)*	117	159	235	375	460

See page B-1-18 for ordering instructions.

*All dimensions are in inches. All weights are in approximate pounds.

**Fully encapsulated in molded rubber with no iron exposed.

***Parts for AquaGrip connection not shown - one required for each AquaGrip connection.

▼ Material strength ASTM A536 65-45 minimum

