

# SECTION B-1

Rev. 7-16

Shaded area  
indicates change

## N.R.S. RESILIENT WEDGE GATE VALVE WITH AQUAGRIP® x MJ. ENDS

**Mueller Co.**  
Reliable Connections®

# UL / FM

## FIRE PROTECTION PRODUCTS

**P-2361-78** AQUAGRIP ENDS X MECHANICAL JOINT FOR DIPS  
Indicator Post Style Stuffing Box  
2" Square Wrench Nut

- 4", 6", 8", 10", 12" size for DIPS
- 4", 6", 8" size for DIPS for IPS
- UL 262 Listed and FM 1120/1130 Approved and certified to ANSI/NSF 61 & 372
- Iron body with Mueller® PRO-GARD® Fusion Bonded Epoxy Coated interior and exterior surfaces
- Non-rising bronze stem

**P-2361-88** AQUAGRIP ENDS X MECHANICAL JOINT FOR IPS  
Indicator Post Style Stuffing Box  
2" Square Wrench Nut

- Mechanical joint ends comply with ANSI/AWWA C111
- Rubber encapsulated iron wedge
- 200psig (1375 kPa/14 barg) maximum working pressure, 400psig (2800 kPa/28 barg) static test
- Triple O-ring seal (2 above the thrust collar and 1 below)
- Epoxy coating meets or exceeds all applicable requirements ANSI/AWWA C550

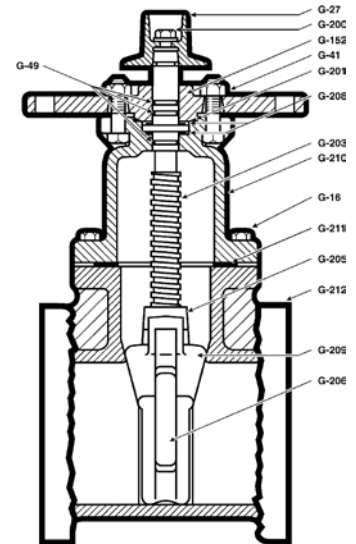


### Options

- Stainless steel fasteners: Type 316
- Stainless steel stem: Type 304 and Type 316
- ASTM B98-C66100/H02 stem
- EPDM disc and o-rings

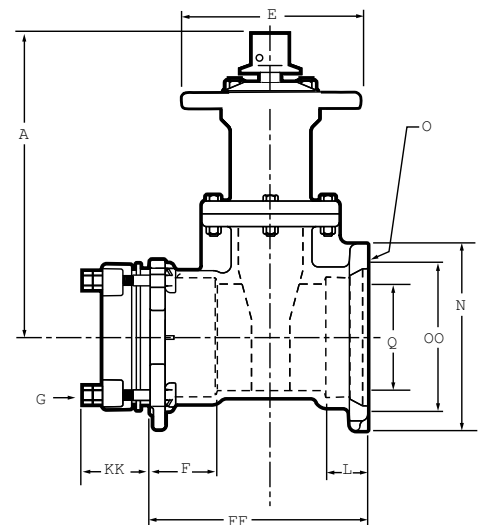
### PARTS LIST

Catalog Part Number	Description	Material	Material Standard
G-16	Bonnet Bolts & Nuts	304 Stainless Steel	ASTM F593 (bolt)/ASTM F594 (nut)
G-27	Wrench Nut	Ductile Iron	ASTM A536 ▼
G-41	Stuffing Box Bolts and Nuts	304 Stainless Steel	ASTM F593 (bolt)/ASTM F594 (nut)
G-49	Stem O-rings (3)	Nitrile	ASTM D2000
G-152	Stuffing Box	Ductile Iron	ASTM A536 ▼
G-200	Wrench Nut Cap Screw	304 Stainless Steel	ASTM F593
G-201	Stuffing Box Seal	Nitrile	ASTM D2000
G-203	Stem	Bronze	ASTM B138
G-205	Stem Nut	Bronze	ASTM B584
G-206	Guide Cap Bearings	Acetal	-
G-208	Anti-friction Washers (2)	Acetal	-
G-209	Wedge/Rubber Encapsulated	Ductile Iron**	ASTM A536 ▼
G-210	Bonnet	Ductile Iron	ASTM A536 ▼
G-211	Bonnet Gasket	Nitrile	ASTM D2000
G-212	Body	Ductile Iron	ASTM A536 ▼
G-213	Double O-ring***	EPDM	ASTM D2000
G-214	Intermediate Ring***	Ductile Iron	ASTM A536 ▼
G-215	Gripper Ring***	Ductile Iron	ASTM A536 ▼
G-216	End Ring***	Ductile Iron	ASTM A536 ▼
G-217	Breakaway Nut with Washer***	Steel	ASTM A108/Zinc Plated
G-218	T-head Bolt (not shown)	Steel	ASTM A242/Low Alloy (Corten)



### DIMENSIONS

Dimension*	Size				
	4"	6"	8"	10"	12"
A	14.19	18.00	21.50	25.50	28.62
E	12.00	12.00	12.00	12.00	12.00
F	3.50	3.70	3.70	3.89	3.89
G (number and size of holes for AquaGrip)	4--.88"	4--.88"	6--.88"	8--.88"	8--.88"
L	2.50	2.50	2.50	2.50	2.50
N	9.03	11.06	13.31	15.63	17.88
O (number and size of holes for MJ)	4--.88"	6--.88"	6--.88"	8--.88"	8--.88"
Q (bore)	4.30	6.30	8.30	10.30	12.30
FF	11.34	13.37	14.81	16.4	16.87
KK	2.75	3.75	3.75	3.75	3.75
OO (bolt circle diameter for MJ)	7.50	9.50	11.75	14.00	16.25
Turns to open	14	20.5	26.5	33.00	38.5
Weight (lbs.)*	118	179	274	405	575



See page B-1-18 for ordering instructions.

\*All dimensions are in inches. All weights are in approximate pounds.

\*\*Fully encapsulated in molded rubber with no iron exposed.

\*\*\*Parts for AquaGrip connection not shown - one required for each AquaGrip connection.

▼ Material strength ASTM A536 65-45 minimum