

Shaded area indicates change

**N.R.S. RESILIENT WEDGE
GATE VALVES FLANGED ENDS**



UL / FM

FIRE PROTECTION PRODUCTS

P-2361-6 FLANGED ENDS
Indicator Post Style Stuffing box
2" Square Operating Nut

- 14", 16", 18", 20" and 24" sizes
- UL 262 Listed and certified to ANSI/NSF 61 & 372
- 14" and 16" sizes are FM 1120/1130 Approved
- Iron body with Mueller® PRO-GARD® Fusion Bonded Epoxy Coated interior and exterior surfaces
- Non-rising bronze stem
- Rubber encapsulated iron wedge
- 14"-16" 250psig (1725 kPa/17 barg) maximum working pressure, 500psig (3450 kPa/35 barg) hydro static test
- 18"-24" 175psig (1200 kPa/12 barg) maximum working pressure, 500psig (3450 kPa/35 barg) hydro static test
- Triple O-ring seal (2 above the thrust collar and 1 below)
- Epoxy coating meets or exceeds all applicable requirements ANSI/AWWA C550
- Flanged end drilling complies with ASME/ANSI B16.1 Class 125

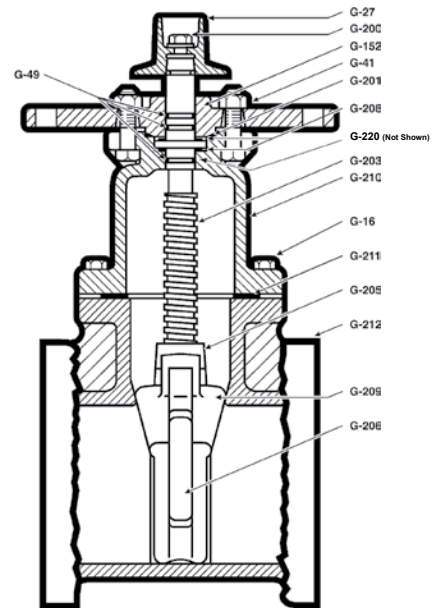


Options

- Stainless steel fasteners: Type 304, Type 316
- ASTM B98-C66100/H02 stem
- Stainless steel stem: Type 304 and Type 316
- EPDM disc and o-rings (14"-16 option and 18"-24" standard)

PARTS LIST

Catalog Part Number	Description	Material	Material Standard
G-16	Bonnet Bolts & Nuts	Carbon Steel	ASTM A307 Grad B / Zinc Plated
G-27	Wrench Nut	Cast Iron++	ASTM A126 CL.B
G-41	Stuffing Box Bolts & Nuts	Carbon Steel	ASTM A307 Grad B / Zinc Plated
G-49	Stem O-rings (3)	Nitrile+	ASTM D2000
G-152	Stuffing Box	Ductile Iron	ASTM A536 ▼
G-200	Wrench Nut Cap Screw	Carbon Steel	ASTM A307 Grad B / Zinc Plated
G-201	Stuffing Box Seal	Nitrile+	ASTM D2000
G-203	Stem	Bronze	ASTM B138***
G-205	Stem Nut	Bronze	ASTM B62
G-206	Guide Cap Bearings	Acetal	-
G-208	Anti-friction Washers (2)	Brass	ASTM B21
G-209	Wedge, Rubber Encapsulated	Ductile Iron***	ASTM A536 ▼
G-210	Bonnet	Ductile Iron	ASTM A536 ▼
G-211	Bonnet Gasket	Nitrile+	ASTM D2000
G-220	Bonnet Bushings (18"-24")	Brass	ASTM B62
G-212	Body	Ductile Iron	ASTM A536 ▼



DIMENSIONS

Dimension*	Size				
	14"	16"	18"	20"	24"
A	32.75"	37.88"	44.19"	48.25"	53.88"
R	21.00"	23.50"	25.00"	27.50"	32.00"
FF	15.06"	16.06"	17.00"	18.00"	20.00"
E	12.00"	12.00"	12.00"	12.00"	12.00"
Q (bore)	14.38"	16.00"	18.35"	20.38"	24.38"
UU	18.75"	21.25"	22.75"	25.00"	29.50"
B (number and size of holes)	12-1.125"	16-1.125"	16-1.25"	20-1.25"	20-1.35"
Turns to open	43.5	49	57	63	75
Weight (lbs.)*	659	841	1298	1640	2488

See page B-1-18 for ordering instructions.
 *All dimensions are in inches. All weights are in approximate pounds.
 ** Fully encapsulated in molded rubber with no iron exposed.
 *** 18" - 24" ASTM B584
 + 14"-16", 18"-54" EPDM ASTM D2000
 ++ Manufacturer's option to upgrade material to Ductile iron ASTM A536
 ▼ Material strength ASTM A536 65-45 minimum

