

**SECTION
C-1**

Rev. 3-16

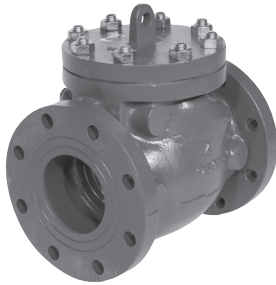
Shaded area
indicates
change

SWING CHECK VALVES



UL / FM

FIRE PROTECTION PRODUCTS

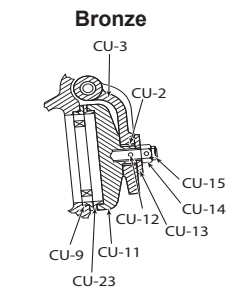
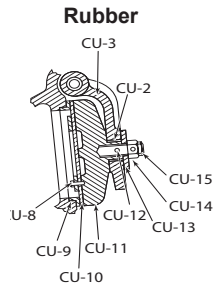
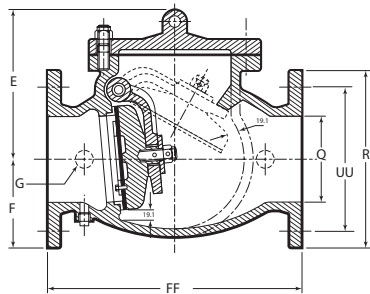
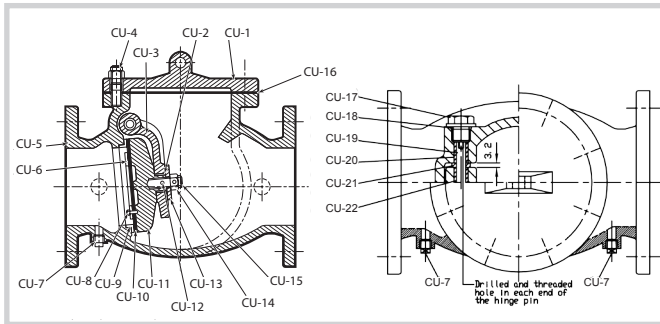


A-2120-6BB Flange Ends - Bronze Disc Ring and Bronze Seat Ring
A-2122-6B1 Flange Ends - Rubber Disc Facing and Bronze Seat Ring 2-1/2" - 12" 200 psi (1375 kPa/13 barg) Working Pressure - 400 psi (2750 kPa/27 barg) Test Pressure

- Listed by Underwriter Laboratories, Inc. and approved by Factory Mutual Research Corporation.
- ANSI B16.1 CL125 Flanges

PARTS LIST

Catalog Parts Numbers	Description	Material	Material Standard
CU-1	Cover	Cast Iron	ASTM 126 Class B
CU-2	Arm Disc Bushing	Bronze	ASTM B62
CU-3	Arm	Cast Iron	ASTM 126 Class B
CU-4	Cover Stud & Nut	Zinc Coated Steel	ASTM A307 Grade B
CU-5	Body	Cast Iron	ASTM 126 Class B
CU-6	Seat Holder	Bronze	ASTM B62
CU-7	Plug (B)	Malleable Iron	ASTM 47
CU-8	Disc Seat Bolt	Stainless Steel	ASTM A276 Type 304
CU-9	Body Seat Ring	Bronze	ASTM B62
CU-10	Disc Seat Ring	Rubber	Buna D2000 BK707
CU-11	Disc	Cast Iron	ASTM 126 Class B
CU-12	Pin	Stainless Steel	ASTM 276 Type 304
CU-13	Washer	Brass	ASTM B21
CU-14	Disc Nut	Brass	ASTM B21
CU-15	Disc Stud	Brass	ASTM B21
CU-16	Cover Gasket	Rubber	Buna D2000 BK 707
CU-17	Plug	Brass	ASTM B21
CU-18	O-Ring	Rubber	Buna N D2000 BK 707
CU-19	Hinge Pin	Stainless Steel	ASTM 276 Type 304
CU-20	Body Bushing	Bronze	ASTM B62
CU-21	Spacer	Bronze	ASTM B62
CU-22	Arm Bushing	Bronze	ASTM B62
CU-23	Disc Seat Bearing	Bronze	ASTM B62



SWING CHECK VALVE WEIGHTS

	2-1/2"	3"	4"	6"	8"	10"	12"
lbs.	44	51	80	152	313	462	660
kg.	20.0	23.1	36.3	68.9	142.0	209.6	299.4

DIMENSIONAL INFORMATION FOR FLANGE END CHECK VALVES

Size	Dimension - inches (mm)													
	E		F		FF		G		R		UU		Q	
2-1/2 (65)	6.57 (167)	3.50 (89)	8.50 (216)	1.50 (38)	7.01 (178)	5.51 (140)	2.50 (65)	7.48 (190)	3.78 (96)	9.50 (241)	1.50 (38)	7.52 (191)	5.98 (152)	3.00 (80)
4 (100)	8.31 (211)	4.53 (115)	11.50 (292)	1.50 (38)	9.02 (229)	7.52 (191)	4.00 (100)	10.59 (269)	5.51 (140)	14.00 (356)	1.75 (44)	10.98 (279)	9.49 (241)	6.00 (150)
6 (150)	10.59 (269)	5.51 (140)	14.00 (356)	1.75 (44)	10.98 (279)	9.49 (241)	6.00 (150)	12.2 (310)	6.77 (172)	19.50 (495)	1.75 (44)	13.50 (343)	11.77 (299)	8.00 (200)
8 (200)	12.2 (310)	6.77 (172)	19.50 (495)	1.75 (44)	13.50 (343)	11.77 (299)	8.00 (200)	13.86 (352)	7.99 (203)	24.50 (622)	2.00 (53)	15.98 (406)	14.25 (362)	10.00 (250)
12 (300)	16.26 (413)	9.53 (242)	27.50 (698)	2.00 (54)	19.02 (483)	17.01 (432)	12.00 (300)							

CHECK VALVE ORDERING INFORMATION- Specify: Quantity, Size, and Catalog Number

CHECK VALVE PARTS ORDERING INFORMATION - Specify: Quantity, Catalog Number, Part Name, Size of Valve, Catalog Number of Valve, and Year Date of Valve