

Shaded area indicates change

## FIRE PROTECTION PRODUCTS

**P-2361-76** AquaGrip x Flanged Ends  
Indicator Post Style Stuffing Box  
2" Square Wrench Nut

- 4", 6", 8", 10" AND 12" sizes
- Meets or exceeds all applicable requirements of UL 262 and FM 120/1130 specifications and certified to ANSI/NSF 61
- Flanged end dimensions and drilling comply with ANSI B16.1, class 125
- Ductile Iron body and bonnet with nominal 10 mils MUELLER® Pro-Gard™ Fusion Epoxy Coated interior and exterior surfaces
- Epoxy coating meets or exceeds all applicable requirements of ANSI/AWWA C550 Standard.
- Rubber encapsulated iron wedge
- Non-rising stem (NRS)
- Triple O-ring seal stuffing box (2 upper and 1 lower O-rings)
- 200psig (1400 kPa/14 barg) maximum working pressure, 400psig (2800 kPa/28 barg) static test pressure
- FLanged end drilling complies with ANSI B16.42 Class 150

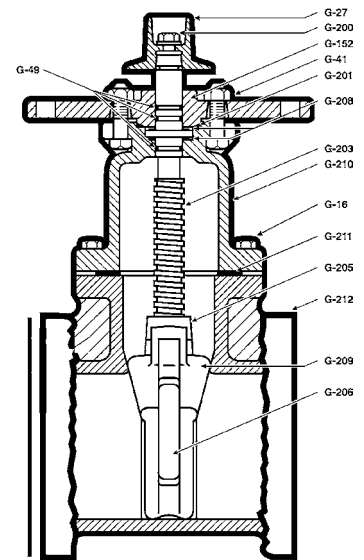


### Options

- Position indicators
- Stainless steel fasteners: Type 316
- ASTM B98-C66100/H02 stem
- Stainless steel stem: Type 304 and Type 316
- EPDM disc and o-rings

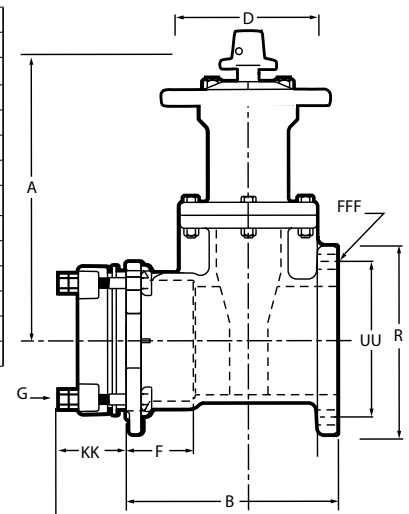
### PARTS LIST

Catalog Part Number	Description	Material	Material Standard
G-16	Bonnet Bolts & Nuts	304 Stainless Steel	ASTM F593 (bolt)/ASTM F594 (nut)
G-27	Wrench Nut	Cast Iron+	ASTM A126 CL.B
G-41	Stuffing Box Bolts and Nuts	304 Stainless Steel	ASTM F593/ASTM F594
G-49	Stem O-rings (3)	Rubber	ASTM D2000
G-152	Stuffing Box	Cast Iron+	ASTM A126 CL.B
G-200	Wrench Nut Cap Screw	304 Stainless Steel	ASTM F593
G-201	Stuffing Box Seal	Nitrile	ASTM D2000
G-203	Stem	Bronze	ASTM B138
G-205	Stem Nut	Bronze	ASTM B62
G-206	Guide Cap Bearings	Acetal	-
G-208	Anti-friction Washers (2)	Acetal	-
G-209	Wedge/Rubber Encapsulated	Ductile Iron**	ASTM A126 CL.B
G-210	Bonnet	Ductile Iron	ASTM A536 ▼
G-211	Bonnet Gasket	Nitrile	ASTM D2000
G-212	Body	Ductile Iron	ASTM A536 ▼
G-213	Double O-ring***	EPDM	ASTM D2000
G-214	Immediate Ring***	Ductile Iron	ASTM A536 ▼
G-215	Gripper Ring***	Ductile Iron	ASTM A536 ▼
G-216	End Ring***	Ductile Iron	ASTM A536 ▼
G-217	Breakaway Nut with Washer***	Steel	ASTM A108/Zinc Plated
G-218	T-head Bolt (not shown)	Steel	ASTM A242/Low Alloy (Corten)



### DIMENSIONS

Dimension*	Size				
	4"	6"	8"	10"	12"
A	14.19	18.00	21.50	25.50	28.62
FF	10.93	12.9	14.28	15.58	16.51
E	12.00	12.00	12.00	12.00	12.00
F	3.70	3.70	3.70	3.89	3.89
G (number and size of holes for AquaGrip)	4--.88"	4--.88"	6--.88"	8--.88"	8--.88"
R	9.00	11.00	13.50	16.00	19.00
Q (bore)	4.30	6.30	8.30	10.30	12.30
KK	2.75	3.75	3.75	3.75	3.75
UU (bolt circle diameter for FL)	7.50	9.50	11.75	14.25	17.00
B (number and size holes for FL)	8--.75"	8--.88"	8--.88"	12--1.00"	12--1.00"
Turns to open	14	20.5	26.5	33.0	38.5
Weight (lbs.)*	113	168	262	368	499



\*All dimensions are in inches. All weights are in approximate pounds.  
 \*\*Fully encapsulated in molded rubber with no iron exposed.  
 \*\*\*Parts for AquaGrip connection not shown - one required for each AquaGrip connection.  
 + Manufacturers option to change material to Ductile iron ASTM A536  
 ▼ Material strength ASTM A536 65-45-12 minimum