

**N.R.S. RESILIENT WEDGE
TAPPING VALVES
FOR POST INDICATORS**



UL / FM

FIRE PROTECTION PRODUCTS

I-2361-16 Flanged x Mechanical Joint Ends
Indicator Post Style Stuffing box
2" Square Operating Nut
With Mechanical Joint accessories*

I-2361-19 Flanged x Mechanical Joint Ends
Indicator Post Style Stuffing box
2" Square Operating Nut
Less Mechanical Joint accessories

- 4", 6", 8", 10" and 12" SIZES
- Meets or exceeds all applicable requirements of UL 262 and FM 120/1130 specifications and certified to ANSI/NSF 61 & 372
- Ductile Iron body and bonnet with nominal 10 mils MUELLER® Pro-Gard™ Fusion Bonded Epoxy Coated interior and exterior surfaces
- Non-rising stem (NRS)

- Rubber encapsulated iron wedge
- 350psig (2400 kPa/24 barg) maximum working pressure, 700psig (4800 kPa/48 barg) statis test pressure
- Triple O-ring seal stuffing box (2 above the thrust collar and 1 below)
- Epoxy coating meets or exceeds ANSI/AWWA C550.
- Flanged end drilling complies with ASME/ANSI B16.1 Class 125



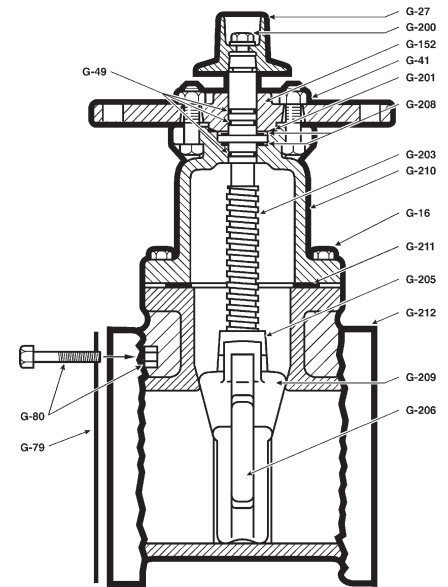
I-2361-19
(Shown less accessories)

Options

- Position indicators
- Stainless steel fasteners: Type 316
- ASTM B98-C66100/H02 stem
- Stainless steel stem: TYPE 304 AND 316
- EPDM disc and o-rings

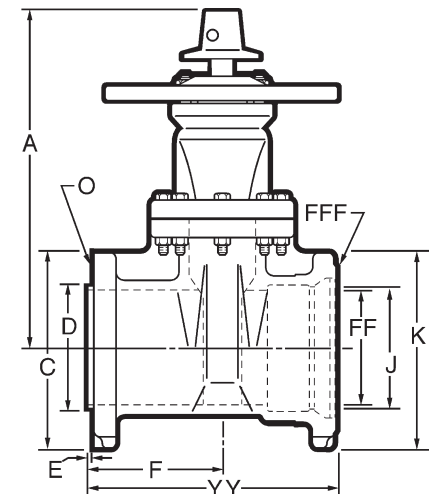
PARTS LIST

| Catalog Part Number | Description | Material | Material Standard |
|---------------------|-----------------------------|---------------------|----------------------------------|
| G-16 | Bonnet Bolts & Nuts | 304 Stainless Steel | ASTM F593 (bolt)/ASTM F594 (nut) |
| G-27 | Wrench Nut | Ductile Iron | ASTM A536 ▼ |
| G-41 | Stuffing Box Bolts and Nuts | 304 Stainless Steel | ASTM F593 (bolt)/ASTM F594 (nut) |
| G-49 | Stem O-rings (3) | Nitrile | ASTM D2000 |
| G-79 | Inlet Flange Gasket | Nitrile | ASTM D2000 |
| G-80 | Inlet Flange Bolts and Nuts | 304 Stainless Steel | ASTM F593 (bolt)/ASTM F594 (nut) |
| G-152 | Stuffing Box | Ductile Iron | ASTM A536 ▼ |
| G-200 | Wrench Nut Cap Screw | 304 Stainless Steel | ASTM F593 |
| G-201 | Stuffing Box Seal | Nitrile | ASTM D2000 |
| G-203 | Stem | Bronze | ASTM B138 |
| G-205 | Stem Nut | Bronze | ASTM B584 Alloy C89833 |
| G-206 | Guide Cap Bearings | Acetal | - |
| G-208 | Anti-friction Washers (2) | Acetal | - |
| G-209 | Wedge/Rubber Encapsulated | Ductile Iron** | ASTM A536 ▼ |
| G-210 | Bonnet | Ductile Iron | ASTM A536 ▼ |
| G-211 | Bonnet Gasket | Nitrile | ASTM D2000 |
| G-212 | Body | Ductile Iron | ASTM A536 ▼ |



DIMENSIONS

| Dimension* | Size | | | | |
|---------------------------------------|---------|---------|---------|-----------|-----------|
| | 4" | 6" | 8" | 10" | 12" |
| A | 14.19 | 18.00 | 21.50 | 25.50 | 28.62 |
| C | 9.00 | 11.00 | 13.50 | 16.00 | 19.00 |
| D | 5.00 | 7.00 | 9.00 | 11.00 | 13.00 |
| E | 0.18 | 0.25 | 0.25 | 0.25 | 0.25 |
| F | 6.24 | 6.75 | 7.50 | 8.44 | 7.38 |
| J | 4.80 | 6.90 | 9.05 | 11.10 | 13.20 |
| K | 9.12 | 11.12 | 13.38 | 15.68 | 17.94 |
| O (number and size of holes for FL) | 8--.75" | 8--.88" | 8--.88" | 12--1.00" | 12--1.00" |
| FF | 4.30 | 6.30 | 8.30 | 10.30 | 12.30 |
| YY | 11.91 | 13.00 | 14.75 | 15.80 | 15.58 |
| FFF (number and size of holes for MJ) | 4--.88" | 6--.88" | 6--.88" | 8--.88" | 8--.88" |
| Turns to open | 14 | 20.5 | 26.5 | 33 | 38.5 |
| Weight (lbs.)* | 117 | 172 | 265 | 399 | 529 |



NOTE: Flanged ends have 125 lb. American Standard End Flange Drilling, ANSI B16.1.

See page B-1-22 for ordering instructions.

+ MJ accessories are included and palletized separately from valves.

*All dimensions are in inches. All weights are in approximate pounds.

** Fully encapsulated in molded rubber with no iron exposed.

▼ Material strength ASTM A536 65-45 minimum