

Shaded area indicates change

RESILIENT WEDGE CUT-IN VALVES WITH D-150 M.J. ENDS



UL / FM

FIRE PROTECTION PRODUCTS

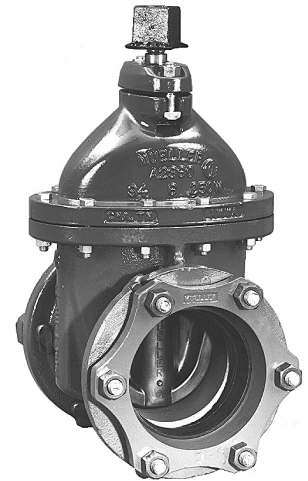
- C-2362-44 D-150** mechanical joint ends with accessories and duck tipped rubber gaskets
- C-2362-45 D-150** mechanical joint ends with accessories and plain tipped rubber gaskets
- C-2362-54 D-150** mechanical joint ends with accessories and duck tipped rubber gaskets and bonding set screws in gland
- C-2362-55 D-150** mechanical joint ends with accessories and plain tipped rubber gaskets and bonding set screws in gland



Cross section of duck tipped rubber gasket.



Cross section of plain tipped rubber gasket.



C-2362-44
D-150 M.J. accessories shipped unassembled

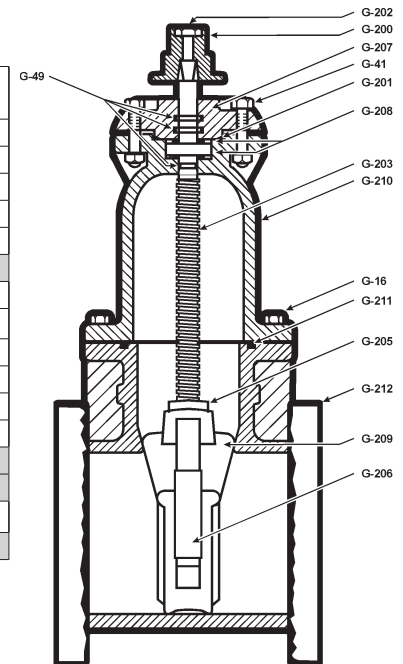
- Sizes-- 4", 6", 8"
- Meets or exceeds all applicable requirements of ANSI/AWWA C509 Standard and is certified to ANSI/NSF 61
- Iron body with nominal 10 mils MUELLER® Pro-Gard™ Fusion Bonded Epoxy Coated interior and exterior surfaces
- Epoxy coating meets or exceeds all applicable requirements of ANSI/AWWA C550 Standard and is certified to ANSI/NSF 61
- Iron wedge, symmetrical & fully encapsulated with molded rubber; no exposed iron
- Non-rising stem (NRS)
- Triple O-ring seal stuffing box (2 above the thrust collar & 1 below)
- 2" square wrench nut - open left or open right
- 4" - 8" sizes--250 psig (1725 kPa/17 barg) maximum working pressure, 500 psig (3450 kPa/35 barg) static test pressure

Options

- Position indicators
- ASTM B98-C66100/H02 stem
- Stainless steel fasteners: Type 316
- Stainless steel stem: Type 304 and type 316
- EPDM disc and o-rings
- Handwheel

PARTS LIST

Catalog Part Number	Description	Material	Material Standard
G-16	Bonnet Bolts & Nuts	304 Stainless Steel	ASTM F593 (bolt)/ASTM F594 (nut)
G-41	Stuffing Box Bolts and Nuts	304 Stainless Steel	ASTM F593 (bolt)/ASTM F594 (nut)
G-49	Stem O-rings (3)	Nitrile	ASTM D2000
G-200	Wrench Nut Cap Screw	304 Stainless Steel	ASTM F593
G-201	Stuffing Box Seal	Nitrile	ASTM D2000
G-202	Wrench Nut	Ductile Iron	ASTM A536 ▼
G-203	Stem	Bronze	ASTM B138
G-204	Hand Wheel (not shown)	Cast Iron +	ASTM A126 CL.B
G-205	Stem Nut	Bronze	ASTM B62
G-206	Guide Cap Bearings	Acetal	-
G-207	Stuffing Box	Cast Iron +	ASTM A126 CL.B
G-208	Anti-friction Washers (2)	Acetal	-
G-209	Wedge/Rubber Encapsulated	Ductile Iron	ASTM A536 ▼
G-210***	Bonnet	Ductile Iron	ASTM A536 ▼
G-211***	Bonnet Gasket	Nitrile	ASTM D2000
G-212***	Body	Ductile Iron	ASTM A536 ▼



**Fully encapsulated in molded rubber with no iron exposed

***Previous to 1999 these parts on 4"-8" valves were designed with a gasket instead of an O-ring and with additional bolts. Confirm the type of seal when ordering a replacement gasket or O-ring.

+ Manufacturers option to change material to Ductile iron ASTM A536

▼ Material strength ASTM A536 65-45-12 minimum