

FIRE PROTECTION PRODUCTS

MUELLER® Tapping Sleeves and Crosses

- Full range of Tapping Sleeves and Crosses to fit most types of pipe including cast iron, ductile iron, A-C, and cast iron O.D. PVC--Also outlet sealed Tapping Sleeves for steel pipe size O.D. PVC plastic pipe and steel pipe.
- Sizes range from 4"x4" to 24"x14".
- All sleeves have outlet flange with dimensions and drilling that comply with ANSI B16.1, class 125 and with MSS SP-60.
- Available with optional MUELLER HP® Epoxy Coating--A-C sleeves are coated with orange primer.
- Maximum working pressures: see product listings.



MUELLER Tapping Valves

- Choice of Resilient Wedge or IBBM types.
- Sizes 4" through 48" (UL Listed up to 24") Resilient Wedge 14" through 24" IBBM.
- One end flanged with alignment lip to attach to Tapping Sleeve, other end available with a variety of end connections with a special flange to permit attachment of Drilling Machine and Adapter.
- Meets all applicable parts of ANSI/AWWA C500, C509 or C515 Standards.
- Non-rising stem (NRS).
- RWGV: maximum UL/FM working pressure 4" - 12" 350 psig (2400 kPa/24 barg)--test pressure 700 psig (4800 kPa/48 barg) 14"-16" 25- psig (1725 kPa/17 barg) 18"-24" 175 psig (1200 kPa/12 barg)
- IBBM: maximum working pressure 14"-24" 150 psig (1000 kPa/10 barg)-- test pressure 300 psig (2100 kPa/21 barg).



MUELLER Stainless Steel Tapping Sleeves

- Sizes to fit iron pipe size PVC, C900 cast iron O.D. PVC, A-C, cast iron and ductile iron pipe.
- Sizes range from 4"x4" through 24"x12".
- Test plug standard.
- Fully passivated.
- Choice of outlet flange materials include stainless steel, carbon steel or ductile iron, all with dimensions and drilling that comply with ANSI B16.1, class 125 and with MSS SP-60.
- H-304 "Waffle" 360° gasket with integral gap bridge.
- Maximum working pressures: see product listings.



MUELLER Cut-In Sleeve and Valve

- MUELLER Cut-In Sleeve and Valve are used to install a gate valve in an existing cast iron, ductile iron or cast iron O.D. PVC plastic pipe main when water interruption is permissible.
- Cut-In Sleeves are marked with length of pipe that is to be cut from main.
- Mechanical joint ends speed installation.



Mueller tapping sleeves, cut-in sleeves and crosses meet applicable AWWA Standards. Currently, there are no UL listings nor standards for these products.

**TAPPING SLEEVES
& CROSSES**



UL / FM

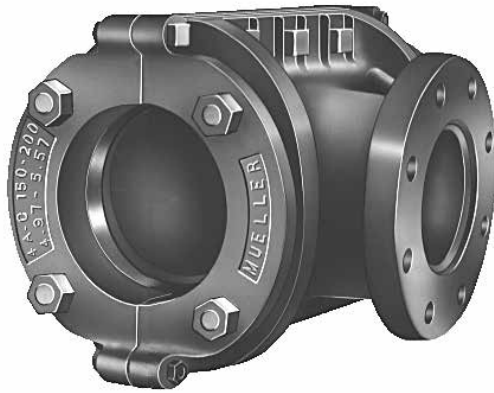
FIRE PROTECTION PRODUCTS

Mueller tapping sleeves, cut-in sleeves and crosses meet applicable AWWA Standards. Currently, there are no UL listings nor standards for these products.

H-619: Mechanical Joint Tapping Sleeve with Duck Tipped End Gaskets.

H-719: Mechanical Joint Tapping Cross with Duck Tipped End Gaskets.

Maximum Working Pressure: 250 psig (1725 kPa/ 17 barg)
Suitable for use with Asbestos-Cement Pipe in the following O.D. Range.



Nominal Main Size	Range	Sizes*
4" O.D.	5.01"-5.39"	4"x4"
6" O.D.	7.11"-7.38"	6"x4" / 6"x6"
8" O.D.	9.30"-9.58"	8"x4" / 8"x6" / 8"x8"
10" O.D.	11.77"-12.25"	10"x4" / 10"x6" / 10"x8" / 10"x10"
12" O.D.	14.03"-14.51"	12"x4" / 12"x6" / 12"x8" / 12"x10" / 12"x12"

IMPORTANT—Actual diameter of AC Pipe varies between manufacturers and from piece to piece, therefore, it is important to measure the pipe diameter to insure proper fit of these sleeves—especially in the 4", 6", and 8" sizes. Out-of-round AC Pipe can often be reduced somewhat by rasping in the area of the end gaskets and gland. All such work should be done in compliance with Pipe Manufacturers' Recommendations.

**First number is size of Main, second is size of the side outlet of Sleeve or Cross.*

H-615: Mechanical Joint Tapping Sleeve with Duck Tipped End Gaskets.

H-616: Mechanical Joint Tapping Sleeve with Plain Rubber End Gaskets.

H-715: Mechanical Joint Tapping Cross with Duck Tipped End Gaskets.

Maximum Working Pressure: 4"-12" main sizes - 250 psig (1725 kPa/17 barg)
14"-24" main sizes - 200 psi (1400 kPa/14 barg)

H-615 and H-715 are suitable for use on AWWA Classes A & B cast iron and all classes of Ductile Iron and ANSI Classes 50 - 100 cast iron pipe.

H-615 is suitable for use on AWWA Classes A & B cast iron pipe and ANSI Classes 50 - 100 cast iron pipe.

H-616 is suitable for use on AWWA Classes C & D cast iron pipe and ANSI Classes 150 - 250 cast iron pipe, the 4" and 6" sizes are also suitable for use with AWWA Class B cast iron pipe.

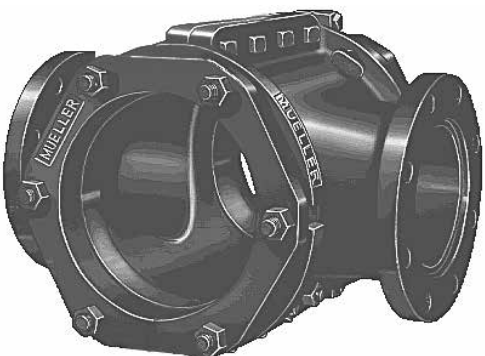
Sizes*: 4"x4", 6"x4", 6"x6", 8"x4", 8"x6", 8"x8", 10"x4", 10"x6", 10"x8", 10"x10", 12"x4", 12"x6", 12"x8", 12"x10", 12"x12", 14"x14", 16"x4", 16"x6", 16"x8", 16"x10", 16"x12", 16"x14", 18"x4", 18"x6", 18"x8", 18"x10", 18"x12", 20"x4", 20"x6", 20"x8", 20"x10", 20"x12", 20"x14", 24"x4", 24"x6", 24"x8", 24"x10", 24"x12", 24"x14"

NOTE: H-615 and H-616 (H-715) described above are the same except for the end gaskets. One mechanical joint sleeve of a nominal size with two sets of end gaskets will fit all classes of pipe listed. If there is any question as to the class of pipe with which the sleeve is to be used, we recommend ordering and stocking both sets of end gaskets for each sleeve.

**The first number is size of main, second is size of side outlet of sleeve.*

ORDERING INSTRUCTIONS FOR TAPPING SLEEVES-

Specify: Quantity, Nominal Size of Main, Type and Class of Main, Circumference or O.D. of Main, Size of Outlet, and Catalog Number.



FIRE PROTECTION PRODUCTS

P-2361-76 AquaGrip x Flanged Ends
Indicator Post Style Stuffing Box
2" Square Wrench Nut

- 4", 6", 8", 10" AND 12" sizes
- Meets or exceeds all applicable requirements of UL 262 and FM 120/1130 specifications and certified to ANSI/NSF 61
- Flanged end dimensions and drilling comply with ANSI B16.1, class 125
- Ductile Iron body and bonnet with nominal 10 mils MUELLER® Pro-Gard™ Fusion Epoxy Coated interior and exterior surfaces
- Epoxy coating meets or exceeds all applicable requirements of ANSI/AWWA C550 Standard.
- Rubber encapsulated iron wedge
- Non-rising stem (NRS)
- Triple O-ring seal stuffing box (2 upper and 1 lower O-rings)
- 200psig (1400 kPa/14 barg) maximum working pressure, 400psig (2800 kPa/28 barg) static test pressure
- FLanged end drilling complies with ANSI B16.42 Class 150

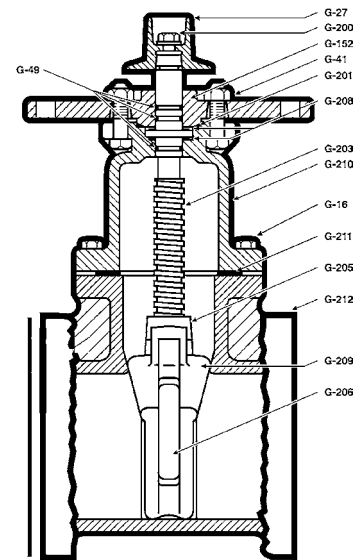


Options

- Position indicators
- Stainless steel fasteners: Type 316
- ASTM B98-C66100/H02 stem
- Stainless steel stem: Type 304 and Type 316
- EPDM disc and o-rings

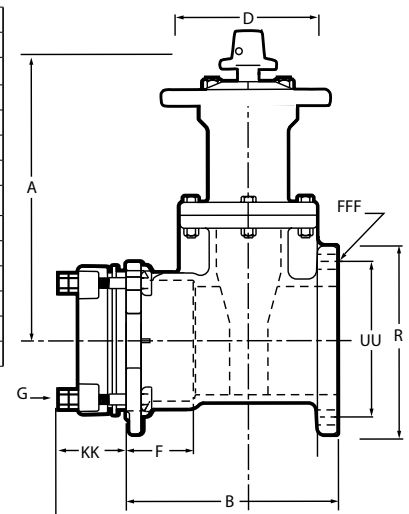
PARTS LIST

Catalog Part Number	Description	Material	Material Standard
G-16	Bonnet Bolts & Nuts	304 Stainless Steel	ASTM F593 (bolt)/ASTM F594 (nut)
G-27	Wrench Nut	Cast Iron+	ASTM A126 CL.B
G-41	Stuffing Box Bolts and Nuts	304 Stainless Steel	ASTM F593/ASTM F594
G-49	Stem O-rings (3)	Rubber	ASTM D2000
G-152	Stuffing Box	Cast Iron+	ASTM A126 CL.B
G-200	Wrench Nut Cap Screw	304 Stainless Steel	ASTM F593
G-201	Stuffing Box Seal	Nitrile	ASTM D2000
G-203	Stem	Bronze	ASTM B138
G-205	Stem Nut	Bronze	ASTM B62
G-206	Guide Cap Bearings	Acetal	-
G-208	Anti-friction Washers (2)	Acetal	-
G-209	Wedge/Rubber Encapsulated	Ductile Iron**	ASTM A126 CL.B
G-210	Bonnet	Ductile Iron	ASTM A536 ▼
G-211	Bonnet Gasket	Nitrile	ASTM D2000
G-212	Body	Ductile Iron	ASTM A536 ▼
G-213	Double O-ring***	EPDM	ASTM D2000
G-214	Immediate Ring***	Ductile Iron	ASTM A536 ▼
G-215	Gripper Ring***	Ductile Iron	ASTM A536 ▼
G-216	End Ring***	Ductile Iron	ASTM A536 ▼
G-217	Breakaway Nut with Washer***	Steel	ASTM A108/Zinc Plated
G-218	T-head Bolt (not shown)	Steel	ASTM A242/Low Alloy (Corten)



DIMENSIONS

Dimension*	Size				
	4"	6"	8"	10"	12"
A	14.19	18.00	21.50	25.50	28.62
FF	10.93	12.9	14.28	15.58	16.51
E	12.00	12.00	12.00	12.00	12.00
F	3.70	3.70	3.70	3.89	3.89
G (number and size of holes for AquaGrip)	4--.88"	4--.88"	6--.88"	8--.88"	8--.88"
R	9.00	11.00	13.50	16.00	19.00
Q (bore)	4.30	6.30	8.30	10.30	12.30
KK	2.75	3.75	3.75	3.75	3.75
UU (bolt circle diameter for FL)	7.50	9.50	11.75	14.25	17.00
B (number and size holes for FL)	8--.75"	8--.88"	8--.88"	12--1.00"	12--1.00"
Turns to open	14	20.5	26.5	33.0	38.5
Weight (lbs.)*	113	168	262	368	499



*All dimensions are in inches. All weights are in approximate pounds.
 **Fully encapsulated in molded rubber with no iron exposed.
 ***Parts for AquaGrip connection not shown - one required for each AquaGrip connection.
 + Manufacturers option to change material to Ductile iron ASTM A536
 ▼ Material strength ASTM A536 65-45-12 minimum

**N.R.S. RESILIENT WEDGE
TAPPING VALVES
FOR POST INDICATORS**



UL / FM

FIRE PROTECTION PRODUCTS

I-2361-16 Flanged x Mechanical Joint Ends
Indicator Post Style Stuffing box
2" Square Operating Nut
With Mechanical Joint accessories*

I-2361-19 Flanged x Mechanical Joint Ends
Indicator Post Style Stuffing box
2" Square Operating Nut
Less Mechanical Joint accessories

- 4", 6", 8", 10" and 12" SIZES
- Meets or exceeds all applicable requirements of UL 262 and FM 120/1130 specifications and certified to ANSI/NSF 61 & 372
- Ductile Iron body and bonnet with nominal 10 mils MUELLER® Pro-Gard™ Fusion Bonded Epoxy Coated interior and exterior surfaces
- Non-rising stem (NRS)

- Rubber encapsulated iron wedge
- 350psig (2400 kPa/24 barg) maximum working pressure, 700psig (4800 kPa/48 barg) statis test pressure
- Triple O-ring seal stuffing box (2 above the thrust collar and 1 below)
- Epoxy coating meets or exceeds ANSI/AWWA C550.
- Flanged end drilling complies with ASME/ANSI B16.1 Class 125



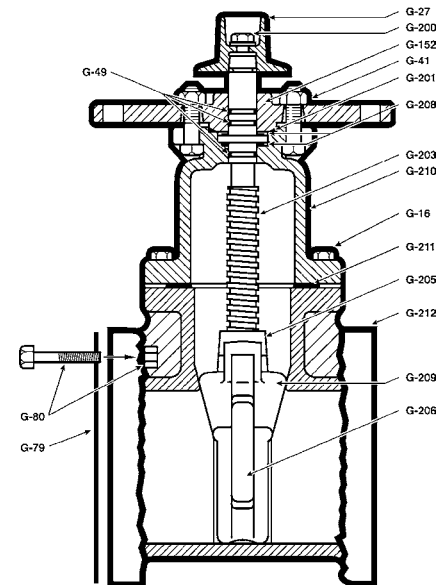
I-2361-19
(Shown less accessories)

Options

- Position indicators
- Stainless steel stem: TYPE 304 AND 316
- EPDM disc and o-rings
- ASTM B98-C66100/H02 stem

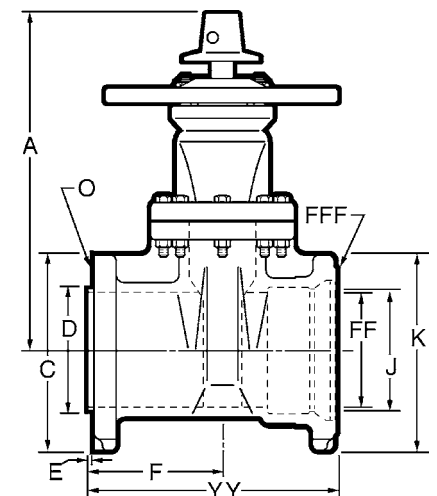
PARTS LIST

Catalog Part Number	Description	Material	Material Standard
G-16	Bonnet Bolts & Nuts	304 Stainless Steel	ASTM F593 (bolt)/ASTM F594 (nut)
G-27	Wrench Nut	Ductile Iron	ASTM A536 ▼
G-41	Stuffing Box Bolts and Nuts	304 Stainless Steel	ASTM F593 (bolt)/ASTM F594 (nut)
G-49	Stem O-rings (3)	Nitrile	ASTM D2000
G-79	Inlet Flange Gasket	Nitrile	ASTM D2000
G-80	Inlet Flange Bolts and Nuts	304 Stainless Steel	ASTM F593 (bolt)/ASTM F594 (nut)
G-152	Stuffing Box	Ductile Iron	ASTM A536 ▼
G-200	Wrench Nut Cap Screw	304 Stainless Steel	ASTM F593
G-201	Stuffing Box Seal	Nitrile	ASTM D2000
G-203	Stem	Bronze	ASTM B138
G-205	Stem Nut	Bronze	ASTM B584 Alloy C89833
G-206	Guide Cap Bearings	Acetal	-
G-208	Anti-friction Washers (2)	Acetal	-
G-209	Wedge/Rubber Encapsulated	Ductile Iron**	ASTM A536 ▼
G-210	Bonnet	Ductile Iron	ASTM A536 ▼
G-211	Bonnet Gasket	Nitrile	ASTM D2000
G-212	Body	Ductile Iron	ASTM A536 ▼



DIMENSIONS

Dimension*	Size				
	4"	6"	8"	10"	12"
A	14.19	18.00	21.50	25.50	28.62
C	9.00	11.00	13.50	16.00	19.00
D	5.00	7.00	9.00	11.00	13.00
E	0.18	0.25	0.25	0.25	0.25
F	6.24	6.75	7.50	8.44	7.38
J	4.80	6.90	9.05	11.10	13.20
K	9.12	11.12	13.38	15.68	17.94
O (number and size of holes for FL)	8--.75"	8--.88"	8--.88"	12--1.00"	12--1.00"
FF	4.30	6.30	8.30	10.30	12.30
YY	11.91	13.00	14.75	15.80	15.58
FFF (number and size of holes for MJ)	4--.88"	6--.88"	6--.88"	8--.88"	8--.88"
Turns to open	14	20.5	26.5	33	38.5
Weight (lbs.)*	117	172	265	399	529



NOTE: Flanged ends have 125 lb. American Standard End Flange Drilling, ANSI B16.1.
See page B-1-22 for ordering instructions.

+ MJ accessories are included and palletized separately from valves.

*All dimensions are in inches. All weights are in approximate pounds.

** Fully encapsulated in molded rubber with no iron exposed.

▼ Material strength ASTM A536 65-45 minimum

FIRE PROTECTION PRODUCTS

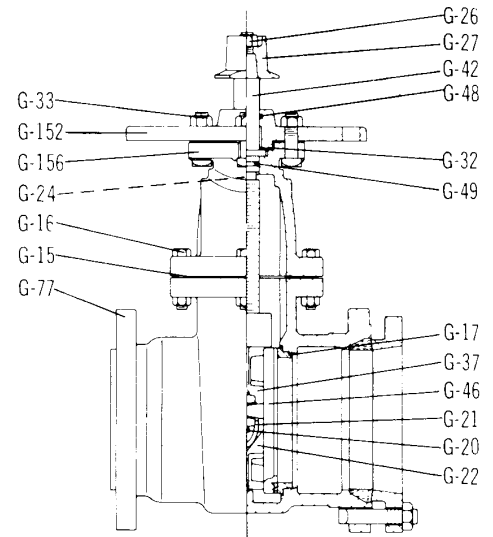
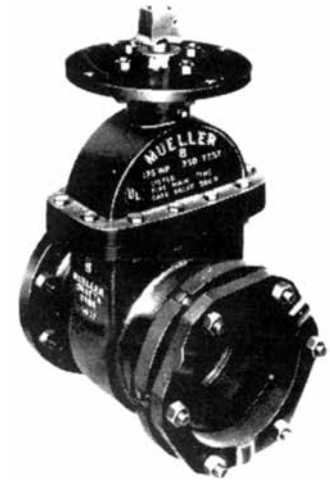
H-699

Tapping Valve - Tapping Flanged Inlet - Mechanical Joint Outlet. "O" Ring sealed with P.I.V Flange.

- 14" size
- Iron Body
- Bronze mounted
- Double Disc
- parallel seats
- non-rising stem
- 150 psi (1000 kPa/10 barg) working pressure
- 300 psi (2100 kPa/21 barg) test pressure

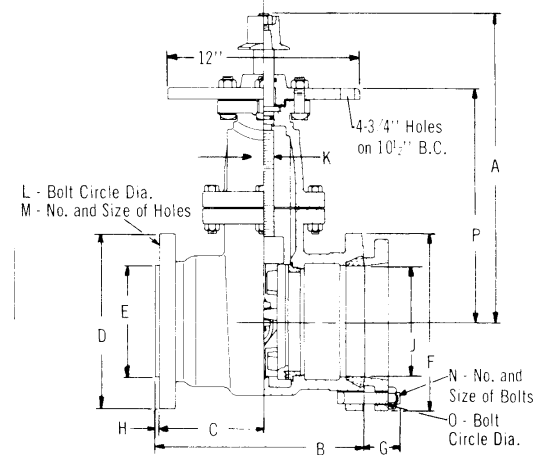
PARTS LIST

Catalog Part Number	Description	Material	Material Standard
G-26	Cap Nut	Steel	ASTM A307 Grade B
G-27	Operation Nut	Cast Iron+	ASTM A126 CL.B
G-42	Stem	Bronze	ASTM B138 Alloy 675
G-48	Stuffing Box O-ring	Rubber	ASTM D2000 3CH720
G-33	Stuffing Box Bolt and Nut	Steel	ASTM A307 Grade B
G-152	Stuffing Box	Cast Iron	ASTM A126 CL.B
G-32	Stuffing Box Gasket	Fiber	-
G-156	Bonnet	Cast Iron	ASTM A126 CL.B
G-24	Pipe Plug	Iron	-
G-16	Bonnet Bolts and Nuts	Steel	ASTM A307 Grade B
G-15	Bonnet Gasket	Compostion	ASTM D1170 Grade P1161A
G-17	Seat Ring	Bronze	ASTM B62
G-20	Disc Pin	Bronze	ASTM B21 Alloy 464
G-46	Disc	Cast Iron	ASTM A126 CL.B
G-37	Top Wedge Nut	Cast Iron	ASTM A126 CL.B
G-21	Side Spreader	Bronze	ASTM B62
G-22	Bottom Wedge	Cast Iron	ASTM A126 CL.B
G-77	Body	Cast Iron	ASTM A126 CL.B
G-4	Stem O-ring	Rubber	ASTM D2000 3CH720
-	Pipe Gland	Cast Iron	ASTM A126 CL.B
-	Gasket	Rubber	ASTM D2000 3AA715
-	Tee Head Bolt	Steel	AWWA C111 Para. 6.5



DIMENSIONS

Dimension*	Size
	14"
A	34-1/8"
B	15-1/4"
C	7-1/2"
D	21"
E	15-1/4"
F	20-5/16"
G	2-5/8"
H	1/4"
J	15.44"
K	1-3/4"
L	18-3/4"
M	12-1-1/8"
N	10-7/8"
O	18-3/4"
P	29-5/8"
Turns to open	46
Weight (lbs.)*	785



*All dimensions in inches and all weights in pounds.

**See page B-1-22 for ordering instructions.

ORDERING INSTRUCTIONS FOR TAPPING VALVES: Specify: Quantity, Size, Catalog Number, and Direction of Opening.

ORDERING INSTRUCTIONS FOR TAPPING VALVES PARTS: Specify: Quantity, Catalog Part Number, Part name, Catalog Number of Gate Valve, Size of Gate Valve and Year Date of Gate Valve. When ordering Gate Valve Bodies also specify Type of Ends desired.

+ Manufacturers option to change material to Ductile iron ASTM A536

Shaded area
indicates change

**STAINLESS STEEL
TAPPING SLEEVE**



UL / FM

FIRE PROTECTION PRODUCTS

H-304 - Stainless Steel Tapping Sleeve

- Sizes-4"-24" main and outlet (see chart below for available size combinations).
- 304L Stainless steel, carbon steel, or ductile iron outlet flange which meets or exceeds all applicable requirements of ANSI B16.1, class 125 and in accordance with MSS-SP60; mechanical joint outlet fits directly on standard MJ connection (flange on sleeve outlet replaces MJ gland on connection.)
- Certified to ANSI/NSF 61.
- 3/4" NPT brass test plug (Stainless Steel optional).
- 4"-12" sizes--250 psig (1725 kPa/17 barg) maximum working pressure.
- 14"-24" sizes--200 psig (1400 kPa/14 barg) maximum working pressure.



H-304SS

How to determine a Mueller Tapping Sleeve Part Number

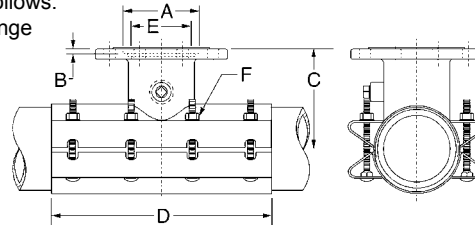
Select the appropriate numbers from the pipe information chart that follows.

Example: For 6"x6" with 7.30-7.50 O.D. Range and stainless steel flange
Resulting Part No. **0606H304SS0750**

* H-304 is constant for all Mueller Stainless Steel Tapping Sleeves listed here.

** SS = stainless steel, CS = carbon steel, DI = ductile iron

Main Size	Outlet Size	Model No.	Flange Material	Maximum O.D.
06	06	H-304*	SS**	0750



H-304MJ

Sleeve O.D. Range

Nominal Pipe Size	Outlet Flange	Sleeve O.D. Range (inches)
4"	4"	4.50 - 4.90
		4.80 - 5.00
6"	4", 6"	6.59 - 6.99
		6.89 - 7.30
		7.10 - 7.50
		7.40 - 7.80
		7.90 - 8.30
8"	4", 6", 8"	8.62 - 9.06
		9.04 - 9.45
		9.20 - 9.60
		9.60 - 10.00
		9.90 - 10.30
10"	4", 6", 8", 10"	10.73 - 11.13
		11.05 - 11.45
		11.70 - 12.10
		12.00 - 12.40
		12.50 - 12.90
12"	4", 8", 10", 12"	13.16 - 13.56
		13.60 - 14.09
		14.10 - 14.58
		12.50 - 12.90
		13.16 - 13.56
14"	4", 6", 8", 10", 12"	13.60 - 14.09
		14.10 - 14.58
		17.40 - 17.80
		17.54 - 17.94
		17.85 - 18.25
16"	4", 6", 8", 10", 12"	18.15 - 18.55
		18.60 - 19.00
		19.30 - 19.70
		19.70 - 20.10
		21.40 - 21.80
18"	4", 6", 8", 10", 12"	21.90 - 22.30
		22.30 - 22.70
		23.30 - 23.70
		23.80 - 24.10
		25.60 - 26.00

Size	Main Outlet	Outlet Flange Dimensions (in.)		Sleeve Dimensions (in.)			Bolts Per Side
		A	B	C	D	E	F
4"	4"	5.0315	.25	7.00	15.00	4.00	4
6"	4"	5.0315	.25	7.50	15	4.50	4
6"	6"	7.0315	.31	8.00	15	4.50	4
8"	4"	5.0315	.25	8.50	15	4.50	4
8"	6"	7.0315	.31	9.00	15	6.50	4
8"	8"	9.0315	.31	9.50	18	8.00	6
10"	4"	5.0315	.25	10.00	15	4.50	4
10"	6"	7.0315	.31	10.50	15	6.50	4
10"	8"	9.0315	.31	11.00	18	8.50	6
10"	10"	11.0315	.31	11.50	24	10.00	8
12"	4"	5.0315	.25	12.00	15	4.50	4
12"	6"	7.0315	.31	12.00	15	6.50	4
12"	8"	9.0315	.31	12.00	18	8.50	6
12"	10"	11.0315	.31	12.00	24	10.50	8
12"	12"	13.0315	.31	12.00	30	12.00	8
14"	4"	5.0315	.25	13.63	15	4.50	4
14"	6"	7.0315	.31	13.63	15	6.50	4
14"	8"	9.0315	.31	13.63	18	8.50	6
14"	10"	11.0315	.31	13.63	24	10.50	8
14"	12"	13.0315	.31	13.63	30	12.50	8
16"	4"	5.0315	.25	14.59	15	4.50	4
16"	6"	7.0315	.31	14.59	15	6.50	4
16"	8"	9.0315	.31	14.59	18	8.50	6
16"	10"	11.0315	.31	14.59	24	10.50	8
16"	12"	13.0315	.31	14.59	30	12.50	8
18"	4"	5.0315	.25	16.00	15	4.50	4
18"	6"	7.0315	.31	16.00	15	6.50	4
18"	8"	9.0315	.31	16.00	18	8.50	6
18"	10"	11.0315	.31	16.00	24	10.50	8
18"	12"	13.0315	.31	16.00	30	12.50	8
20"	4"	5.0315	.25	16.88	15	4.50	4
20"	6"	7.0315	.31	16.88	15	6.50	4
20"	8"	9.0315	.31	16.88	18	8.50	6
20"	10"	11.0315	.31	16.88	24	10.50	8
20"	12"	13.0315	.31	16.88	30	12.50	8
24"	4"	5.0315	.25	19.00	24	4.50	8
24"	6"	7.0315	.31	19.00	24	6.50	8
24"	8"	9.0315	.31	19.00	24	8.50	8
24"	10"	11.0315	.31	19.00	24	10.50	8
24"	12"	13.0315	.31	19.00	30	12.50	10

Mueller tapping sleeves, cut-in sleeves and crosses meet applicable AWWA Standards. Currently, there are no UL listings nor standards for these products.

†With MJ option, this flange is replaced by an integral SS outlet pipe extension and MJ gland welded permanently in place allowing the sleeve to bolt directly to the outlet of any standard MJ valve. Dimensions for MJ option are compatible with standard connections, and A and B dimensions in chart do not apply.

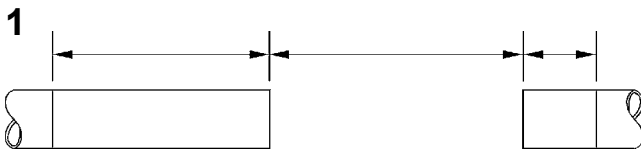
FIRE PROTECTION PRODUCTS

- H-840** cut-in sleeve with duck-tipped gasket
- H-842** cut-in sleeve with duck-tipped gasket and bonding set screws in gland
- H-841** cut-in sleeve with plain rubber gasket
- H-843** cut-in sleeve with plain rubber gasket and bonding set screws in gland

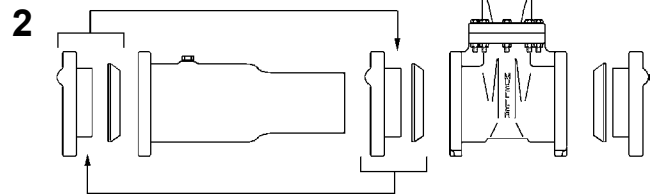
- Sizes--4",6",8",10", and 12"
- Cast iron construction
- Spigot end corresponds to class 150 ductile iron pipe
- Sleeves are marked with dimensional information to show how much of existing main must be removed for installation of sleeve and valve.
- 200 psig (1400 kPa/14 barg) maximum working pressure



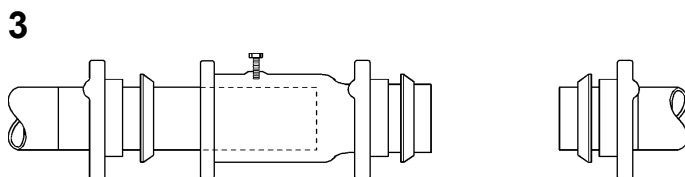
Fast, simple installation



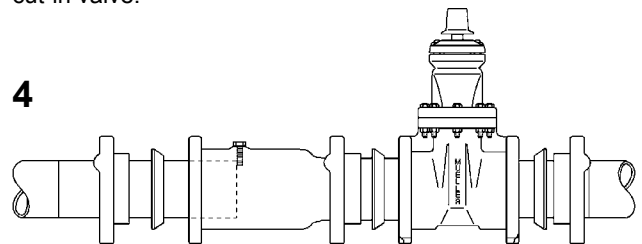
1 Clean pipe. With water pressure shut off, cut out the appropriate length of main.



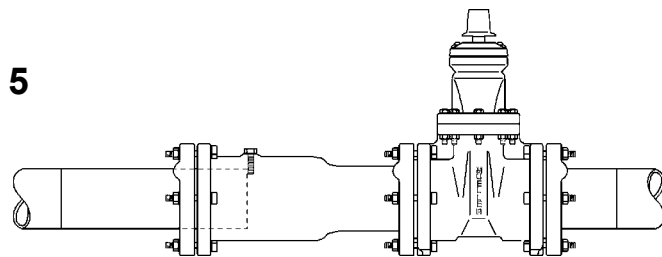
2 Disassemble the gland and gasket from the sleeve and interchange with the gland and gasket from one end of the cut-in valve.



3 Back the stop screw out until flush with the inside of the sleeve, and slide the sleeve over the end of pipe. Make sure end of pipe isn't hitting the stop screw.



4 Position cut-in valve on end of main. Slide sleeve spigot end into end of valve. Tighten stop screw so it clears end of pipe.



5 Position gaskets and glands. Install all tee-head pipe gland bolts and tighten. Open the cut-in valve and turn on water pressure in main.

Mueller tapping sleeves, cut-in sleeves and crosses meet applicable AWWA Standards. Currently, there are no UL listings nor standards for these products.

Shaded area indicates change

RESILIENT WEDGE CUT-IN VALVES WITH D-150 M.J. ENDS



UL / FM

FIRE PROTECTION PRODUCTS

- C-2362-44 D-150** mechanical joint ends with accessories and duck tipped rubber gaskets
- C-2362-45 D-150** mechanical joint ends with accessories and plain tipped rubber gaskets
- C-2362-54 D-150** mechanical joint ends with accessories and duck tipped rubber gaskets and bonding set screws in gland
- C-2362-55 D-150** mechanical joint ends with accessories and plain tipped rubber gaskets and bonding set screws in gland



Cross section of duck tipped rubber gasket.



Cross section of plain tipped rubber gasket.



C-2362-44
D-150 M.J. accessories shipped unassembled

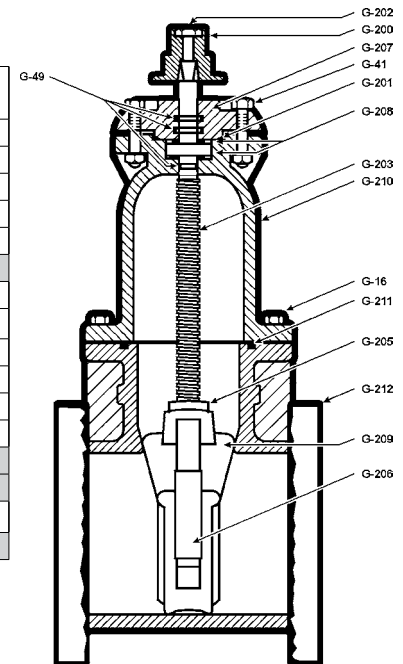
- Sizes-- 4", 6", 8"
- Meets or exceeds all applicable requirements of ANSI/AWWA C509 Standard and is certified to ANSI/NSF 61
- Iron body with nominal 10 mils MUELLER® Pro-Gard™ Fusion Bonded Epoxy Coated interior and exterior surfaces
- Epoxy coating meets or exceeds all applicable requirements of ANSI/AWWA C550 Standard and is certified to ANSI/NSF 61
- Iron wedge, symmetrical & fully encapsulated with molded rubber; no exposed iron
- Non-rising stem (NRS)
- Triple O-ring seal stuffing box (2 above the thrust collar & 1 below)
- 2" square wrench nut - open left or open right
- 4" - 8" sizes--250 psig (1725 kPa/17 barg) maximum working pressure, 500 psig (3450 kPa/35 barg) static test pressure

Options

- Position indicators
- ASTM B98-C66100/H02 stem
- Stainless steel fasteners: Type 316
- Stainless steel stem: Type 304 and type 316
- EPDM disc and o-rings
- Handwheel

PARTS LIST

Catalog Part Number	Description	Material	Material Standard
G-16	Bonnet Bolts & Nuts	304 Stainless Steel	ASTM F593 (bolt)/ASTM F594 (nut)
G-41	Stuffing Box Bolts and Nuts	304 Stainless Steel	ASTM F593 (bolt)/ASTM F594 (nut)
G-49	Stem O-rings (3)	Nitrile	ASTM D2000
G-200	Wrench Nut Cap Screw	304 Stainless Steel	ASTM F593
G-201	Stuffing Box Seal	Nitrile	ASTM D2000
G-202	Wrench Nut	Ductile Iron	ASTM A536 ▼
G-203	Stem	Bronze	ASTM B138
G-204	Hand Wheel (not shown)	Cast Iron +	ASTM A126 CL.B
G-205	Stem Nut	Bronze	ASTM B62
G-206	Guide Cap Bearings	Acetal	-
G-207	Stuffing Box	Cast Iron +	ASTM A126 CL.B
G-208	Anti-friction Washers (2)	Acetal	-
G-209	Wedge/Rubber Encapsulated	Ductile Iron	ASTM A536 ▼
G-210***	Bonnet	Ductile Iron	ASTM A536 ▼
G-211***	Bonnet Gasket	Nitrile	ASTM D2000
G-212***	Body	Ductile Iron	ASTM A536 ▼



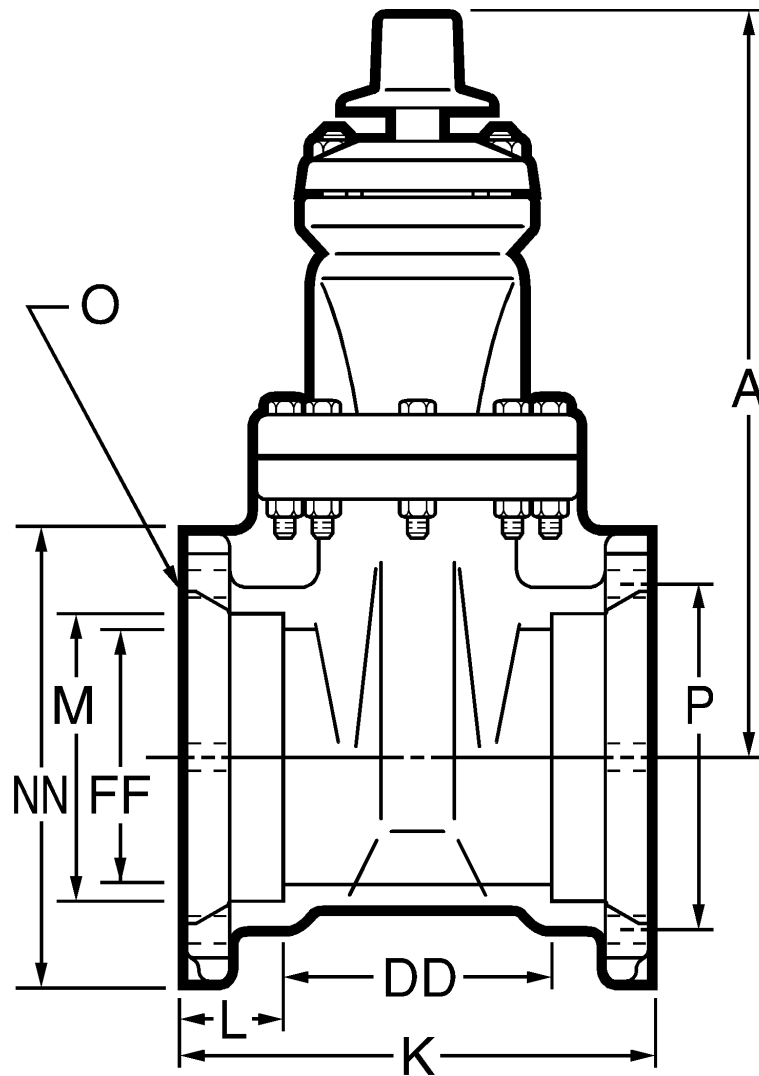
**Fully encapsulated in molded rubber with no iron exposed

***Previous to 1999 these parts on 4"-8" valves were designed with a gasket instead of an O-ring and with additional bolts. Confirm the type of seal when ordering a replacement gasket or O-ring.

+ Manufacturers option to change material to Ductile iron ASTM A536

▼ Material strength ASTM A536 65-45-12 minimum

FIRE PROTECTION PRODUCTS



DIMENSIONS

Dimension*	Nominal Size		
	4"	6"	8"
A	14.19	18.00	21.50
K	10.00	11.50	12.50
L	2.50	2.50	2.50
O (number and size of holes)	5.17	7.27	9.47
P (bolt circle diameter)	4--.88	6--.88	6--.88
DD	5.00	6.50	7.50
FF	4.30	6.30	8.30
NN	9.44	11.44	13.81
Turns to open	14	20.5	26.5
Weight (lbs.)*	120	186	280

* All dimensions are in inches. All weights include accessories are in pounds and approximate.

SECTION
D-1

Rev. 1-08

Shaded area
indicates
change

TAPPING VALVES

Mueller Co.
Reliable Connections®

UL / FM

FIRE PROTECTION PRODUCTS

Mueller Co.

Reliable Connections™

www.muellercompany.com
moreinfo@muellercompany.com