

**NON-ADJUSTABLE TYPE
INDICATOR POST
FOR 4"-14" VALVES**

Rev. 6-15

Shaded area
indicates
change

FIRE PROTECTION PRODUCTS

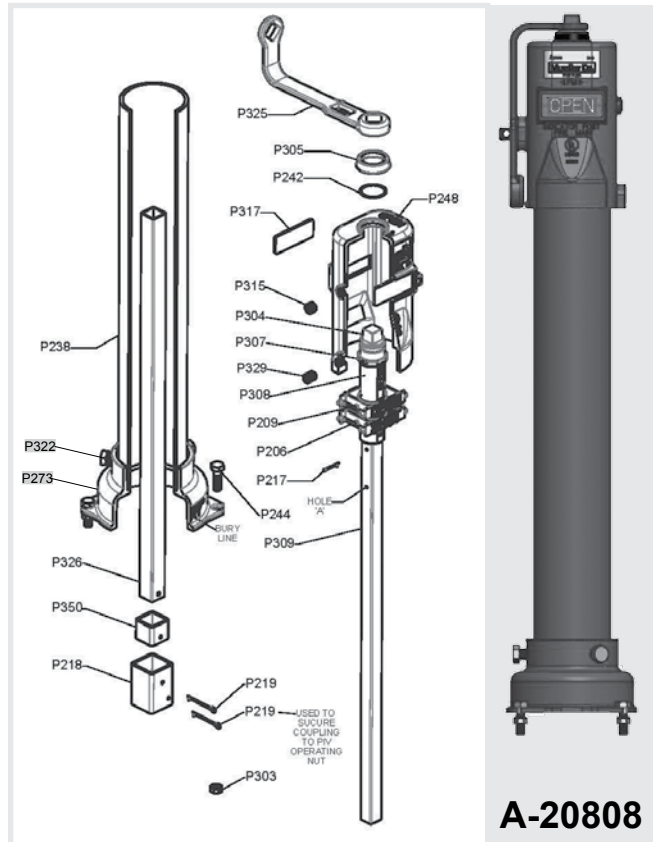
A-20808: Non-Adjustable Indicator Post

PARTS LIST

Catalog Part No.	Description	Material	Material Standard
P206	SHUT Target	Plastic	Nylon
P209	OPEN Target	Plastic	Nylon
P217	Cotter Pin (short)	Brass	ASTM B21
P218	Coupling	Steel	ASTM A500 GR.B
P219	Cotter Pin (long)	Brass	ASTM B21
P238	Barrel	Steel	ASTM A500 GR.B
P242	Retaining Ring	Stainless Steel	AISI 302
P244	Hex Bolt	Steel/zinc plated	ASTM A307 GR.A
P248	Post Head	Cast Iron**	ASTM A126 CL.B
P273	Bell	Ductile Iron	ASTM A536
P303	Hex Nut	Steel/zinc plated	ASTM A563 GR.A
P304	Operating Nut	Ductile Iron	ASTM A536
P305	Cap	Plastic	Polypropylene
P307	Spring pin	Stainless Steel	AISI 420
P308	Threaded sleeve	Plastic	Nylon
P309	Upper stem	Steel	ASTM A513
P315	Pipe plug - hex socket	Steel	-
P317	Window	Plexiglass	-
P322	Hex HD Screw	Steel/zinc plated	ASTM 307 GR.B
P325	Wrench	Ductile Iron	ASTM A536
P326	Lower Stem	Steel	ASTM A500 GR.B
P329	Socket head set screw	Steel	ANSI B18.3
P350	Coupling insert	Steel	ASTM A500 GR.B
P353	Washer*	Stainless Steel	AISI 304

* Washer use discontinued in 2011. Not required when P305 cap is used.

** Manufacturers option to change material to Ductile iron ASTM A536



A-20808

MAXIMUM BURY (TRENCH)

Size No.	Valve Size					
	4"	6"	8"	10"	12"	14"
0	1' - 3"	1' - 8"	2' - 1"	2' - 5"	2' - 9"	3' - 3"
1	1' - 9"	2' - 2"	2' - 7"	3' - 11"	3' - 3"	3' - 9"
2	2' - 3"	2' - 8"	3' - 1"	4' - 5"	3' - 9"	4' - 3"

BARREL DIMENSIONS

Size No.	A Dim	B Dim	C Dim
0	26.62	23.62	2"
1	32.62	29.62	7.94"
2	38.62	35.62	13.94"

A-20815: Extension Section and Stem.
Lengths: 1' - 0", 1' - 6", 2' - 0", 2' - 6",
3' - 0", 3' - 6", 4' - 0", 4' - 6", 5' - 0"

