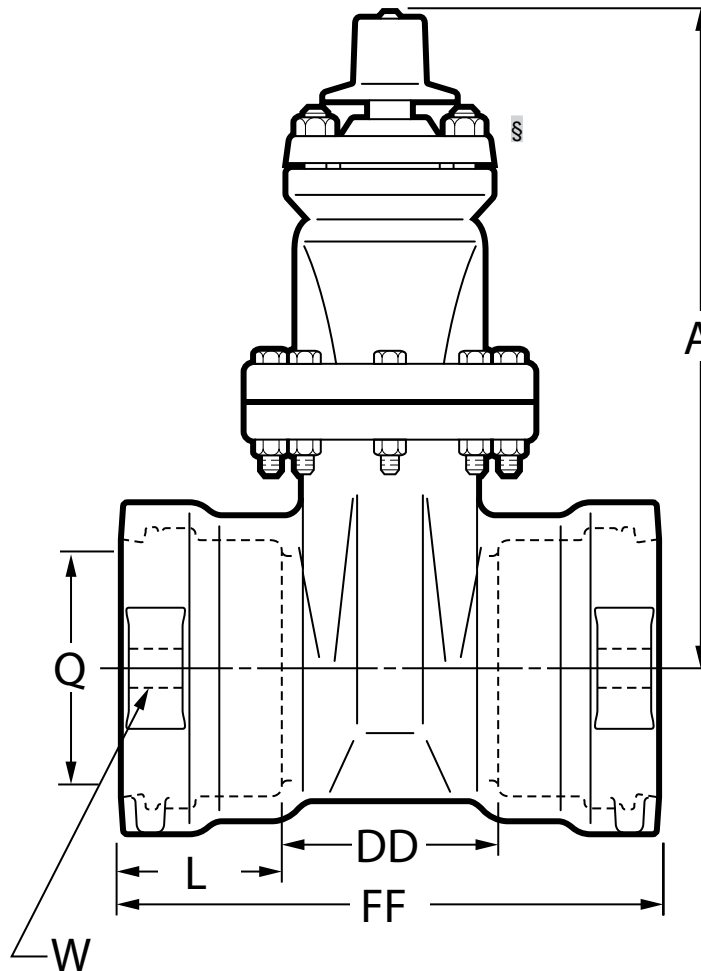


**4" - 12" A-2361 RESILIENT WEDGE  
GATE VALVES - SL. x SL.**



**10.11**

Shaded area indicates change Rev. 7-16



**Dimensions**

Dimension	Nominal Size				
	4"	6"	8"	10"	12"
A	14.19	18.00	21.50	25.50	28.62
Q (bore)	4.30	6.30	8.30	10.30	12.30
W (distance between strapping lug holes across face of valve ends)	8.62	10.62	13.12	16.38	18.12
FF	12.81	14.96	17.94	18.50	18.70
L	4.12	4.38	5.62	5.62	5.62
DD	4.57	6.20	6.70	7.26	7.46
Turns to open	14	20.5	26.5	33	38.5
Weight*	85	144	233	368	523

\*All dimensions are in inches. All weights are in pounds and are approximate.