

Rev. 7-16 Shaded area indicates changes

- Catalog number– **A-2361-6** flanged ends
- Sizes – 14", 16", 18", 20", 24", 30", 36", 42", 48", 54"
- Meets or exceeds all applicable requirements of ANSI/AWWA C515 Standard (thru 48"), UL 262 Listed (thru 24"), FM 1120/1130 Approved (thru 16"), and certified to ANSI/NSF 61 & 372
- Flanged ends drilling comply with ASME/ANSI B16.1 Class 125
- Ductile iron body and bonnet with nominal 10 mils MUELLER® Pro-Gard® Fusion Bonded Epoxy Coated interior and exterior surfaces; 42" – 54" valves coated with Mueller HP Epoxy
- Epoxy coatings meet or exceed all applicable requirements of ANSI/AWWA C550 Standard
- Ductile iron wedge, symmetrical and fully encapsulated with molded rubber; no exposed iron.
- Non-rising stem (NRS)
- Triple O-ring seal (2 above the thrust collar and 1 below)
- 2" square wrench nut - open left or open right (30" - 54" require a Spur Gear or Bevel Gear)
- 250 psig (1725 kPa/17 barg) maximum working pressure; 500 psig (3450 kPa/35 barg) static test pressure
- 14" and 16" sizes – UL Listed, FM Approved: 250 psig (1725 kPa/17 barg)
- 18", 20" and 24" sizes – UL Listed (without gearing): 175 psig (1200 kPa/12 barg)
- Mueller valves are designed for potable water applications



A-2361-6

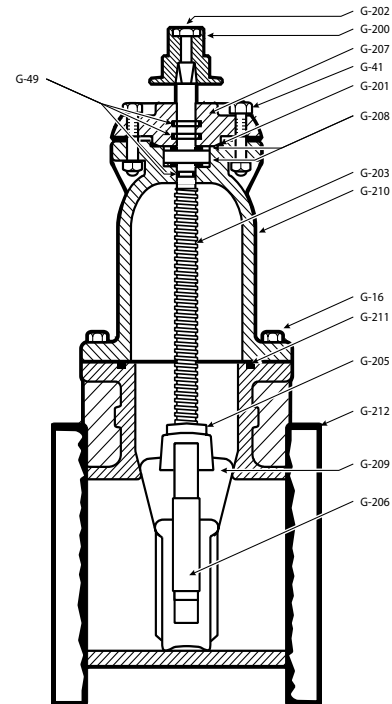
Options

See page 27 for more information on Resilient Wedge Gate Valve options

- Stem Options:
 - 14"-16" Bronze ASTM B98-C66100/H02
 - Stainless Steel, Type 304, Type 316
 - 18"-54" Bronze ASTM B763-C99500
 - Stainless Steel Type 304, Type 316
- Stainless steel fasteners: Type 304, Type 316
- Position indicators
- Bypass 16"- 54" (2" on 16"-20"; 2.5" on 24"; 3" on 30"- 36", 4" on 42"-54")
- Handwheel
- Spur or bevel geared actuator
- EPDM Disc and o-rings, 14"-16" optional, 18"-54" standard

Resilient wedge gate valve parts

| Catalog Part No. | Description | Material | Material Standard |
|------------------|-----------------------------|-----------------------|------------------------------------|
| G-16 | Bonnet Bolts & Nuts | Carbon Steel | SAE J429 (bolt) ASTM A563 (nut) |
| G-41 | Stuffing Box Bolts & Nuts | Carbon Steel | SAE J429 (bolt) ASTM A563 (nut) |
| G-49 | Stem O-rings (3)† | Nitrile | ASTM D2000 |
| G-200 | Wrench Nut Cap Screw | Carbon Steel | SAE J429 |
| G-201 | Stuffing Box O-ring† | Nitrile | ASTM D2000 |
| G-202 | Wrench Nut | Cast Iron+ | ASTM A126 CL.B |
| G-203 | Stem | Bronze | ASTM B138** |
| G-204 | Hand Wheel (not shown) | Cast Iron+ | ASTM A126 CL.B |
| G-205 | Stem Nut | Bronze | ASTM B62 |
| G-206 | Guide Cap Bearings | Acetal | - |
| G-207 | Stuffing Box | Ductile Iron++ | ASTM A536 ▼ |
| G-208 | Anti-friction Washers (2) | Acetal | - |
| G-209 | Wedge, Rubber Encapsulation | Ductile Iron* SBR† | ASTM A536 ▼ ASTM D2000 |
| G-210 | Bonnet | Ductile Iron | ASTM A536 ▼ |
| G-211 | Bonnet O-ring † | Nitrile | ASTM D2000 |
| G-212 | Body | Ductile Iron | ASTM A536 ▼ |



* Fully encapsulated in molded rubber with no iron exposed

† 18"-54" EPDM standard

++ 30"-54" are hot rolled steel ASTM A36

** 18"-54" ASTM B584

+ Manufacturers option to change material to Ductile iron ASTM A536

▼ Material strength ASTM A536 65-45 minimum