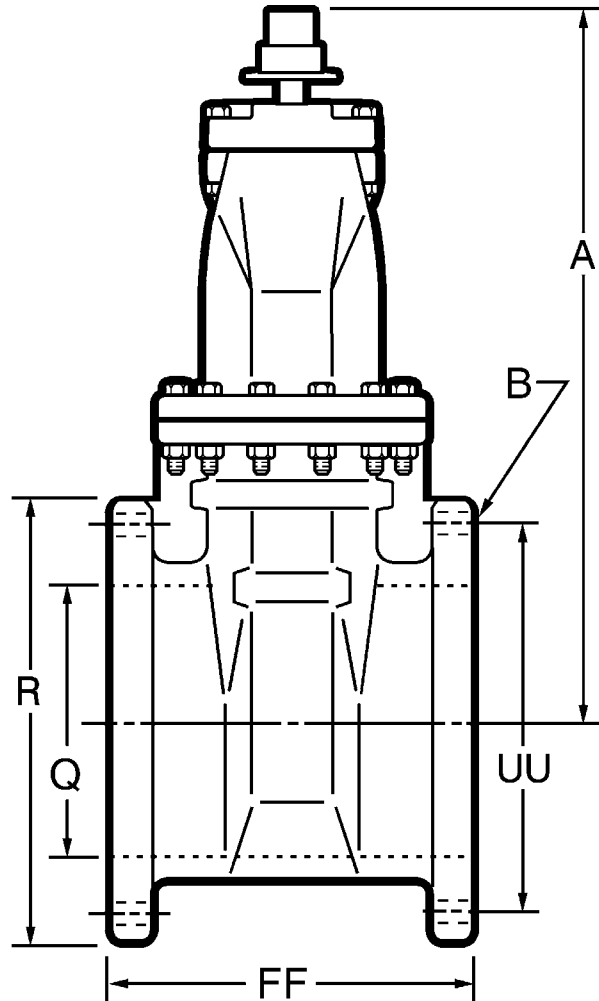


14" - 54" A-2361 D.I. RESILIENT
WEDGE GATE VALVES - FL. x FL.



10.15

Shaded area indicates change Rev. 4-14



Dimensions

Dimension*	Nominal Size									
	14"	16"	18"	20"	24"	30" †	36" †	42" †	48" †	54" †
A	32.75	37.88	44.19	48.25	53.88	See A for Spur or Bevel Gear				
R	21.00	23.50	25.00	27.50	32.00	38.75	46.00	53.00	59.50	66.34
FF	15.06	16.06	17.00	18.00	20.00	26.00	30.00	38.00	43.00	48.00
Q (bore)	14.38	16.00	18.38	20.38	24.38	30.38	36.38	42.38	48.38	48.38
UU (bolt circle diameter)	18.75	21.25	22.75	25.00	29.50	36.00	42.75	49.50	56.00	62.76
B (number and size of holes)	12--1.125	16--1.125	16--1.25	20--1.25	20--1.38	28--1.38	32--1.63	36--1.63	44--1.63	44--2.00
A- Spur Gear	40.49	43.58	49.41	53.01	59.15	70.81	83.08	97.74	109.70	109.70
A - Bevel Gear**	34.55	37.77	44.50	47.69	54.06	64.93	77.19	90.75	102.61	102.61
Turns to open (without gearing)	43.5	49	57	63	75	-	-	-	-	-
Turns to open (Spur gearing)††	178	201	234	258	308	381	455	524	596	596
Turns to open (Bevel gearing)††	174	196	228	252	300	372	444	524	596	596
Weight*	690	859	1284	1774	2481	6390	8220	13400	19978	20900

*All dimensions are in inches. All weights are in pounds and are approximate. Weights for 30"-54" valves are with gearing; for all others without gearing.

**Center line of operating nut to center line of valve.

†Spur or Bevel Gear must be used with 30", 36", 42", 48" & 54" valves.

††Turns shown are for Rotoric gearing supplied by Mueller Co.