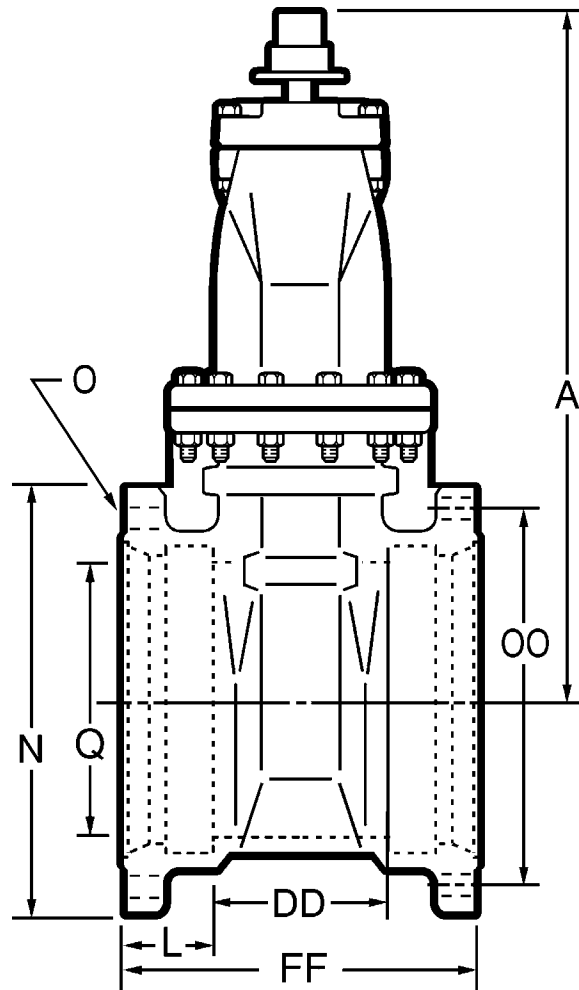


14" - 48" A-2361 D.I. RESILIENT WEDGE GATE VALVES - M.J. x M.J.



10.19

Shaded area indicates change Rev. 4-14



Dimensions

Dimension	Nominal Size									
	14"	16"	18"	20"	24"	30"†	36"†	42"†	48"†	
A	32.75	37.88	44.19	48.25	53.88	See A for Spur or Bevel Gear				
L	3.50	3.50	3.50	3.50	3.50	4.00	4.00	4.00	4.00	
N	20.62	22.56	24.88	27.01	31.88	39.53	46.41	53.53	60.41	
O (number and size of holes for MJ)	10--.88	12--.88	12--.88	14--.88	16--.88	20--1.125	24--1.125	28--1.38	32--1.38	
Q (bore)	14.38	16.00	18.38	20.38	24.38	30.38	36.38	42.38	48.38	
OO (bolt circle diameter for MJ)	18.75	21.00	23.25	25.50	30.00	36.88	43.75	50.62	57.50	
R	21.00	23.50	25.00	27.50	32.00	38.75	46.00	53.00	59.50	
UU (bolt circle diameter)	18.75	21.25	22.75	25.00	29.50	36.00	42.75	49.50	56.00	
FF	19.75	19.75	21.00	21.50	23.50	33.50	37.50	42.37	44.72	
B (number and size of holes for FL)	12--1.12	16--1.12	16--1.12	20--1.25	20--1.38	28--1.38	32--1.63	36--1.63	44--1.63	
A - Spur Gear	40.49	43.58	49.41	53.01	59.15	70.81	83.08	97.74	109.70	
A - Bevel Gear**	34.55	37.77	44.50	47.69	54.06	64.93	77.19	90.75	102.61	
DD	12.36	12.55	13.90	14.13	16.06	25.56	29.34	34.58	36.80	
Turns to open (without gearing)	43.5	49	57	63	75	-	-	-	-	
Turns to open (Spur gearing)	178	201	234	258	308	381	455	524	596	
Turns to open (Bevel gearing)	174††	196††	228††	252††	300††	372††	444††	524††	596††	
Weight*	695	846	1274	1820	2438	6523	8400	13300	19700	

*All dimensions are in inches. All weights are in pounds and are approximate. Weights for 30"-48" valves are with gearing; for all others without gearing.

**Center line of operating nut to center line of valve.

†Spur or Bevel Gear must be used with 30", 36", 42", 48" valves.

††Turns shown for Bevel gearing. Valves with Bevel gearing: All Sizes - 4:1 ratio.