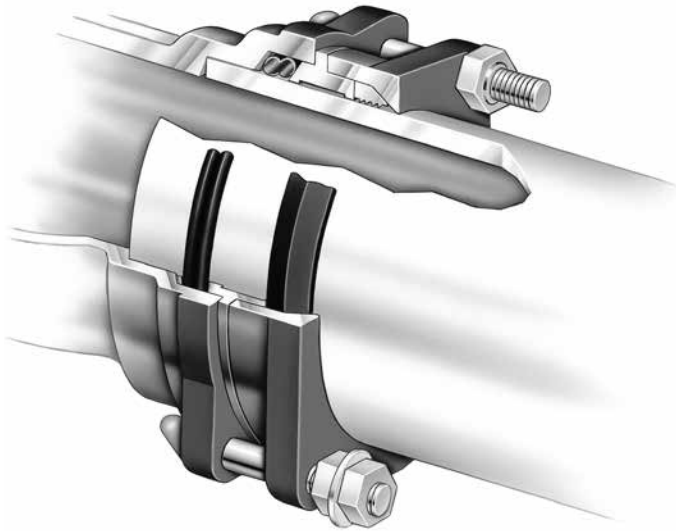


MUELLER 2361 SERIES RESILIENT WEDGE GATE VALVES WITH AQUAGRIP[®] SYSTEM

The Mueller AquaGrip System is offered in 4" through 12" sizes of the Mueller 2361 Series Resilient Wedge Gate Valves. This Mueller exclusive combines both the compression connection and the pipe restraint system in one convenient, quick installation package. This eliminates the need for anchor couplings, tie rods or separate gland-type restrains. A typical AquaGrip connection uses fewer bolts than a conventional mechanical joint end, and substantially fewer than a gland-type restraint, significantly reducing installation time. This "labor saving" system is also available on Mueller Centurion[®] Fire Hydrants, and as separate couplings and fittings to compliment water main installation needs.



- ❑ ACCEPTS VARIED TYPES OF PIPE – DIPS style fits DI, C900 PVC and DIPS PE pipe. IPS style fits PVC, IPS PE. No disassembly or adapters, no special pipe end preparation, a liner for PE pipe(DR9-DR17) is recommended.
- ❑ FULLY ASSEMBLED STAB CONNECTION – arrives ready to insert the pipe, tighten the bolts and it's done. No need to change-out, add or remove parts. Nothing additional to inventory or handle in the field. No extra bolts to assemble or tighten. Substantially reduces labor and inventory costs.
- ❑ VISUALLY SHOWS WHEN PROPERLY TIGHTENED – breakaway nuts snap off using a standard wrench. No special torque requirements. Inner nut remains in place to allow future access to connection, if required. Reduces crew training and saves installation time. (In illustration, lower nut shown before tightening, upper one after.)
- ❑ CERTIFIED TO ANSI/NSF 61 – manufactured and tested in compliance with ANSI/AWWA C515. UL 262 Listed and FM 1120/1130 approved.
- ❑ PRESSURE RESPONSIVE O-RING SEAL – a double O-ring uses hydrostatic pressure from inside the pipe to enhance the seal as line pressure increases.
- ❑ FULL CIRCUMFERENTIAL RESTRAINT – gripper ring encircles pipe for uniform grip without creating points of high stress in pipe wall that could contribute to pipe failure.
- ❑ INSTALLS IN WET CONDITIONS – no special field conditions required, even installs under water.
- ❑ DUCTILE IRON CONSTRUCTION – valve body, bonnet and the Aqua-Grip System components.
- ❑ PLUS ALL THE OTHER FEATURES OF THE 2300 SERIES VALVES
- ❑ 250 PSIG MAX WORKING PRESSURE