

Rev. 7-16 Shaded area indicates changes

- Catalog number–  
**A-2361-41** Slip-on† end (with gasket) x flange end  
**A-2361-43** Slip-on† end (less gasket) x flange end
- Sizes – 14", 16"
- Meets or exceeds all applicable requirements of ANSI/AWWA C515 Standard, UL 262 Listed, FM 1120/1130 Approved, and certified to ANSI/NSF 61 & 372
- Slip-on ends fit plain end of classes 50 and 100 cast iron; ductile iron and AWWA C905 cast iron O.D. PVC
- Flanged end drilling complies with ASME/ANSI B16.1 Class 125
- Ductile iron body and bonnet with nominal 10 mils MUELLER® Pro-Gard® Fusion Bonded Epoxy Coated interior and exterior surfaces
- Epoxy coating meets or exceeds all applicable requirements of ANSI/AWWA C550 Standard
- Ductile iron wedge, symmetrical and fully encapsulated with molded rubber; no exposed iron
- Non-rising stem (NRS)
- Triple O-ring seal (2 above the thrust collar and 1 below)
- 2" square wrench nut - open left or open right
- 250 psig (1725 kPa/17 barg) maximum working pressure; 500 psig (3450 kPa/35 barg) static test pressure
- UL Listed, FM Approved – 250 psig (1725 kPa/17 barg)
- Mueller valves are designed for potable water applications



**A-2361-43**

†Design and dimensions of the joint are manufactured under license of U.S. Pipe and Foundry Company.

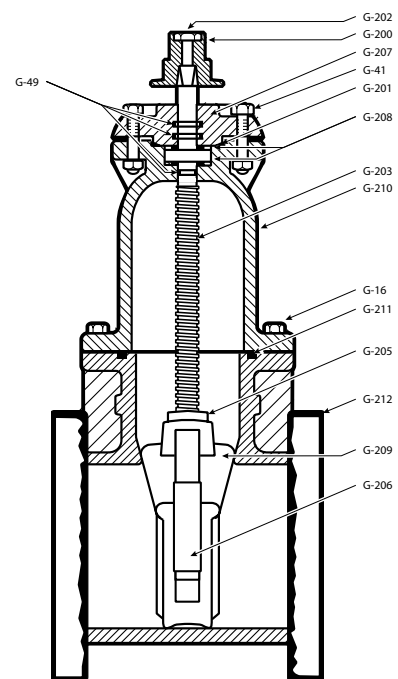
### Options

See page 10.46 for more information on Resilient Wedge Gate Valve options

- Position indicators
- Spur or bevel geared actuator
- Stainless Steel fasteners: Type 304, Type 316
- ASTM B98-C66100/H02 stem
- Handwheel
- Stainless Steel stem: Type 304, Type 316
- EPDM disc and o-rings

### Resilient wedge gate valve parts

Catalog Part No.	Description	Material	Material Standard
G-16	Bonnet Bolts & Nuts	Carbon Steel	SAE J429 (bolt) ASTM A563 (nut)
G-41	Stuffing Box Bolts & Nuts	Carbon Steel	SAE J429 (bolt) ASTM A563 (nut)
G-49	Stem O-rings (3)	Nitrile	ASTM D2000
G-200	Wrench Nut Cap Screw	Carbon Steel	SAE J429
G-201	Stuffing Box O-ring	Nitrile	ASTM D2000
G-202	Wrench Nut	Cast Iron+	ASTM A126 CL.B
G-203	Stem	Bronze	ASTM B138
G-204	Hand Wheel (not shown)	Cast Iron+	ASTM A126 CL.B
G-205	Stem Nut	Bronze	ASTM B62
G-206	Guide Cap Bearings	Acetal	-
G-207	Stuffing Box	Ductile Iron	ASTM A536 ▼
G-208	Anti-friction Washers (2)	Acetal	-
G-209	Wedge, Rubber Encapsulation	Ductile Iron SBR	ASTM A536 ▼ ASTM D2000
G-210	Bonnet	Ductile Iron	ASTM A536 ▼
G-211	Bonnet O-ring	Nitrile	ASTM D2000
G-212	Body	Ductile Iron	ASTM A536 ▼



\* Fully encapsulated in molded rubber with no iron exposed

+ Manufacturer's option to change material to Ductile iron ASTM A536

▼ Material strength ASTM A536 65-45 minimum