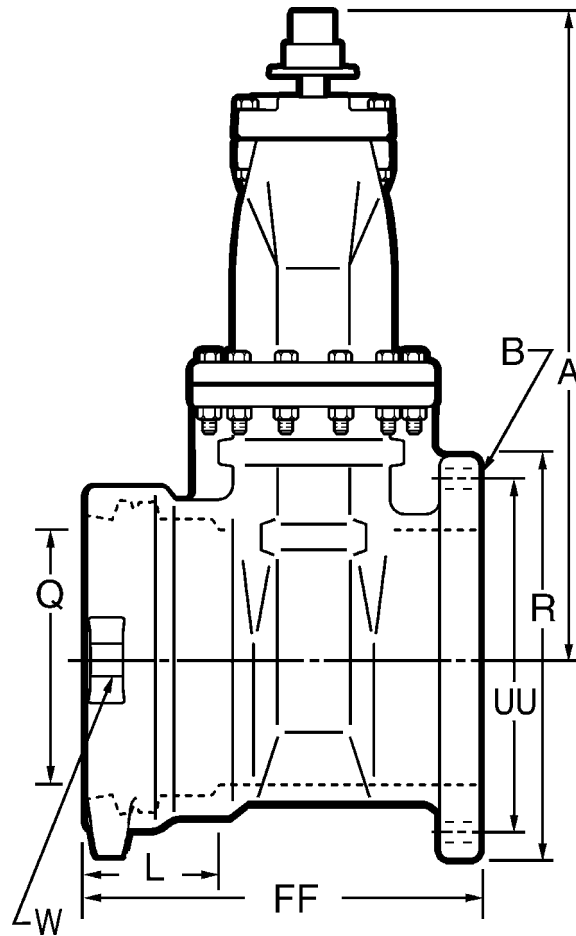


14" & 16" A-2361 D.I. RESILIENT WEDGE GATE VALVES - SL. x FL.



10.23

Shaded area indicates change Rev. 4-14



Dimensions

Dimension	Nominal Size	
	14"	16"
A	32.75	37.88
Q (bore)	14.38	16.00
W (distance between strapping lug holes across face of valve ends)	22.50	23.12
L	6.00	6.00
R	21.00	23.50
UU	18.75	21.25
B (number and size of holes)	12--1.12	16--1.12
FF	19.74	20.69
A - Spur Gear	40.49	43.58
A - Bevel Gear**	34.55	37.77
Turns to open (without gearing)	43.5	49
Turns to open (Spur gearing)	178	201
Turns to open (Bevel gearing)	198	221
Weight*	689	873

*All dimensions are in inches. All weights are in pounds and are approximate.

**Center line of operating nut to center line of valve.