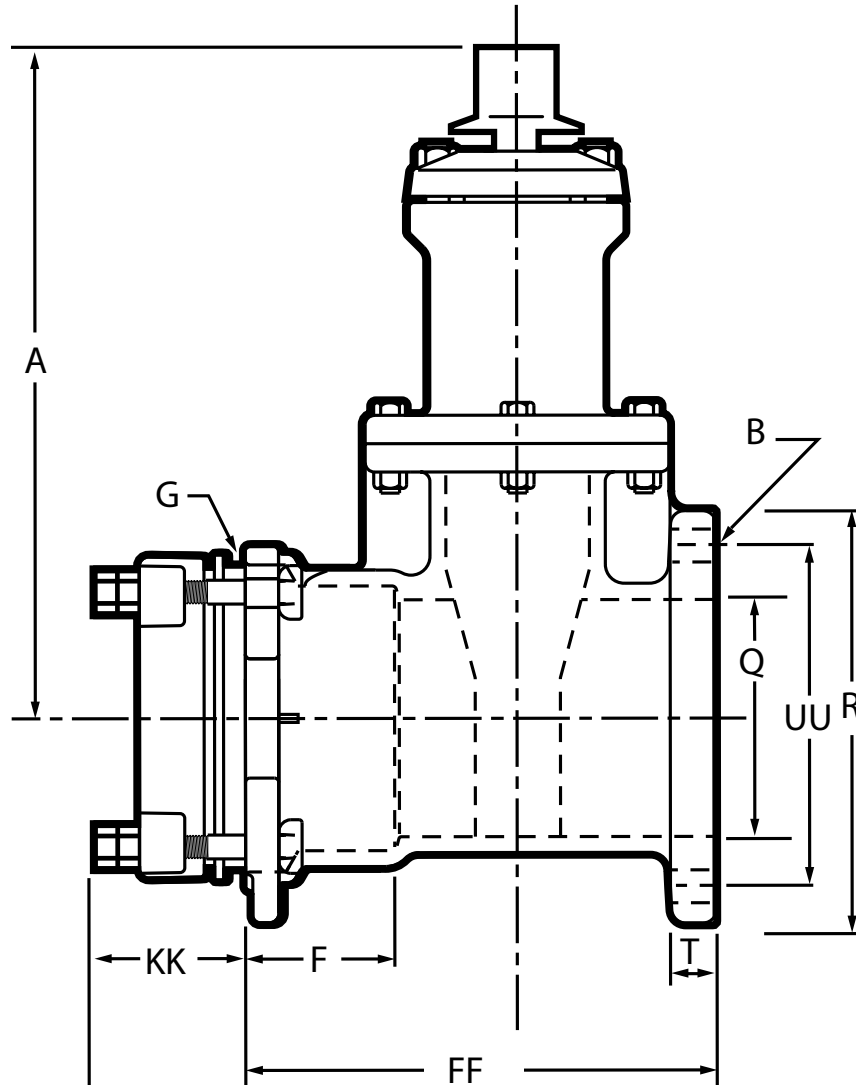


**4" - 12" A-2361 RESILIENT WEDGE GATE VALVES WITH AQUA-GRIP® x FL. ENDS**



**10.25**

Shaded area indicates change Rev. 4-14



**Dimensions**

Dimension	Nominal Size				
	4"	6"	8"	10"	12"
A	14.19	18.00	21.50	25.50	28.62
B (number and size of holes for FL)	8--.75	8--.88	8--.88	12--1.00	12--1.00
F	3.70	3.70	3.70	3.89	3.89
G (number and size of holes for Aqua-Grip)	4--.88	4--.88	6--.88	8--.88	8--.88
T	.87	1.05	1.05	1.06	1.12
R	9.00	11.00	13.50	16.00	9.00
Q (bore)	4.30	6.30	2.30	10.30	12.30
FF	10.93	12.9	14.28	15.58	16.51
KK	2.75	3.75	3.75	3.75	3.75
UU (bolt circle diameter for FL)	7.50	9.50	11.75	14.25	17.00
Turns to open	14	20.5	26.5	33.0	38.5
Weight*	98	153	246	351	481

\*All dimensions are in inches. All weights are in approximate pounds.