

Rev. 7-16 Shaded area indicates changes

- Catalog number–
A-2361-77 Aqua-Grip ends x Aqua-Grip ends for DIPS pipe in sizes 4", 6", 8", 10", 12"
A-2361-87 Aqua-Grip ends x Aqua-Grip ends for IPS pipe in sizes 4", 6", 8"
- Meets or exceeds all applicable requirements of ANSI/AWWA C515 Standard, UL 262 Listed, FM 1120/1130 Approved, and certified to ANSI/NSF 61 & 372
- Ductile Iron body and bonnet with nominal 10 mils MUELLER Pro-Gard® Fusion Bonded Epoxy Coated interior and exterior surfaces
- Epoxy coating meets or exceeds all applicable requirements of ANSI/AWWA C550 Standard
- Iron wedge, symmetrical and fully encapsulated with molded rubber; no exposed iron
- Non-rising stem (NRS)
- Triple O-ring seal (2 above the thrust collar and 1 below)
- 2" square wrench nut - open left or open right
- 250 psig (1725 kPa/17 barg) maximum working pressure; 500 psig (3450 kPa/35 barg) static test pressure
- UL Listed, FM Approved – 200 psig (1375 kPa/14 barg)
- Mueller valves are designed for potable water applications



A-2361-77

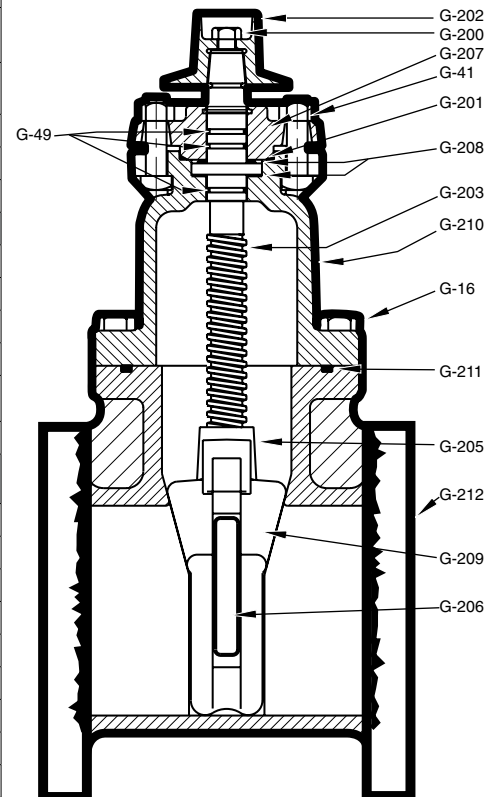
Options

See page 10.46 for more information on Resilient Wedge Gate Valve options

- Position indicators
- Stainless steel fasteners: Type 316
- Stainless steel stem: Type 304, Type 316
- ASTM B98-C66100/H02 stem
- Handwheel
- EPDM Disc and o-ring

Resilient wedge gate valve parts

Catalog Part No.	Description	Material	Material Standard
G-16	Bonnet Bolts & Nuts	304 Stainless Steel	ASTM F593 (bolt) ASTM F594 (nut)
G-41	Stuffing Box Bolts & Nuts	304 Stainless Steel	ASTM F593 (bolt) ASTM F594 (nut)
G-49	Stem O-rings (3)	Nitrile	ASTM D2000
G-200	Wrench Nut Cap Screw	304 Stainless Steel	ASTM F593
G-201	Stuffing Box O-ring	Nitrile	ASTM D2000
G-202	Wrench Nut	Ductile iron	ASTMA536 ▼
G-203	Stem	Bronze	ASTM B138
G-204	Hand Wheel (not shown)	Cast Iron	ASTM A126 CL.B
G-205	Stem Nut	Bronze	ASTM B584
G-206	Guide Cap Bearings	Acetal	-
G-207	Stuffing Box with dirt seal	Cast Iron + Nitrile	ASTM A126 CL.B ASTM D2000
G-208	Anti-friction Washers (2)	Acetal	-
G-209	Wedge, Rubber Encapsulation	Ductile iron SBR	ASTMA536 ▼ ASTM D2000
G-210	Bonnet	Ductile Iron	ASTMA536 ▼
G-211	Bonnet O-ring	Nitrile	ASTM D2000
G-212	Body	Ductile Iron	ASTMA536 ▼
G-213	Double O-ring**	EPDM	ASTM D2000
G-214	Intermediate ring**	Ductile Iron	ASTMA536 ▼
G-215	Gripper ring**	Ductile Iron	ASTMA536 ▼
G-216	End ring**	Ductile Iron	ASTMA536 ▼
G-217	Breakaway Nut with washer***	Steel	ASTM A108
G-218	T-head Bolt***	Steel	ASTM A242



*Fully encapsulated in molded rubber with no iron exposed.

**Parts for Aqua-Grip connection not shown – one required for each Aqua-Grip connection.

***Not shown. See dimension drawing on next page for number require for each size Aqua-Grip connection.

+ Manufacturers option to change material to Ductile iron ASTM A536

▼ Material strength ASTM A536 65-45 minimum