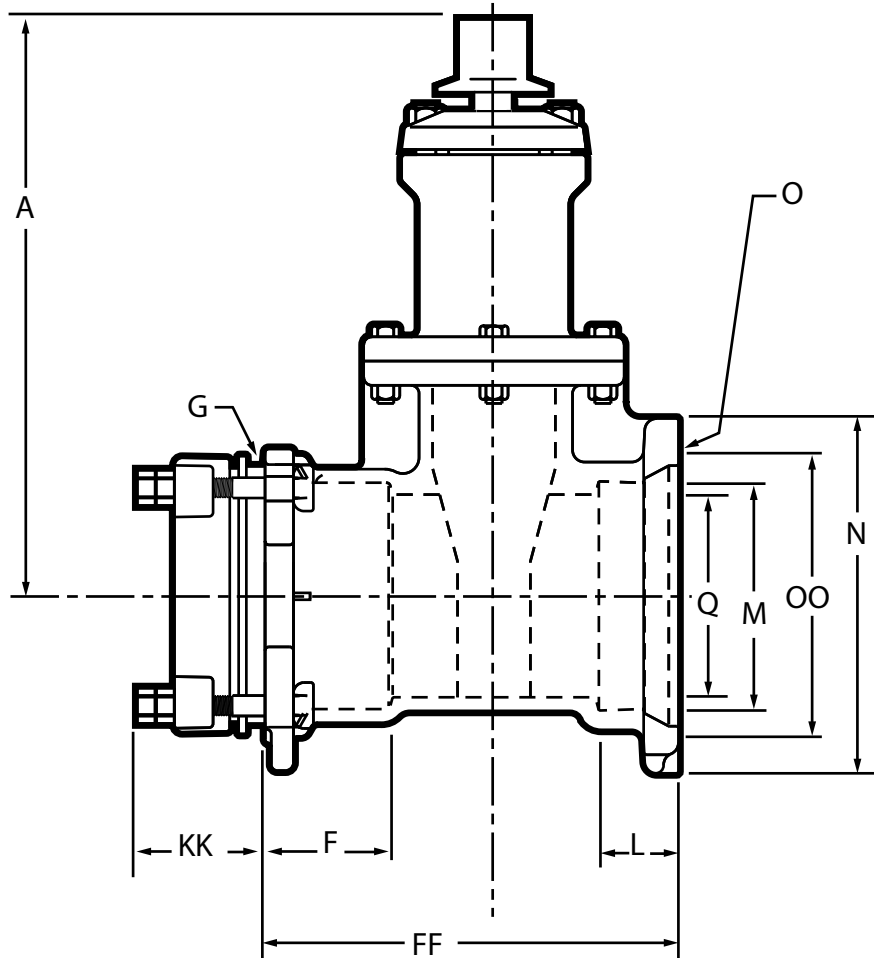


4" - 12" A-2361 RESILIENT WEDGE GATE VALVES WITH AQUA-GRIP® x M.J. ENDS



10.29

Shaded area indicates change Rev. 4-14



Dimensions

Dimension	Nominal Size				
	4"	6"	8"	10"	12"
A	14.19	18.00	21.50	25.50	28.62
F	3.70	3.70	3.70	3.89	3.89
G (number and size of holes for Aqua-Grip)	4--.88	4--.88	6--.88	8--.88	8--.88
L	2.50	2.50	2.50	2.50	2.50
M	4.90	7.06	9.22	11.20	13.37
N	9.03	11.06	13.31	15.63	17.88
O (number and size of holes for MJ)	4--.88	6--.88	6--.88	8--.88	8--.88
FF	11.34	13.37	14.81	16.4	16.87
Q	4.30	6.30	8.30	10.30	12.30
KK	2.75	3.75	3.75	3.75	3.75
OO (bolt circle diameter for MJ)	7.50	9.50	11.75	14.00	16.25
Turns to open	14	20.5	26.5	33.0	38.5
Weight*	98	151	240	348	467