

Rev. 7-16 Shaded area indicates changes

- Catalog number–
  - A-2362-20** Mechanical joint ends (with accessories unassembled)
  - A-2362-23** Mechanical joint ends (less accessories)
  - A-2362-25** Mechanical joint ends (with transition gaskets accessories unassembled)
- Sizes – 3", 4", 6", 8", 10", 12"
- Meets or exceeds all applicable requirements of ANSI/AWWA C509 and C515, UL 262 Listed, FM 1120/1130 Approved, and certified to ANSI/NSF 61 & 372
- Standard mechanical joint ends comply with ANSI/AWWA C111
- Iron body with nominal 10 mils MUELLER® Pro-Gard® Fusion Bonded Epoxy Coated interior and exterior surfaces
- Epoxy coating meets or exceeds all applicable requirements of ANSI/AWWA C550 Standard
- Iron wedge, symmetrical and fully encapsulated with molded rubber; no exposed iron
- Non-rising stem (NRS)
- Triple O-ring seal (2 above the thrust collar and 1 below)
- 2" square wrench nut - open left or open right
- 250 psig (1725 kPa/17 barg) maximum working pressure; 500 psig (3450 kPa/35 barg) static test pressure
- UL Listed, FM Approved: 200 psig (1375 kPa/14 barg)
- Mueller valves are designed for potable water applications



**A-2362-20**

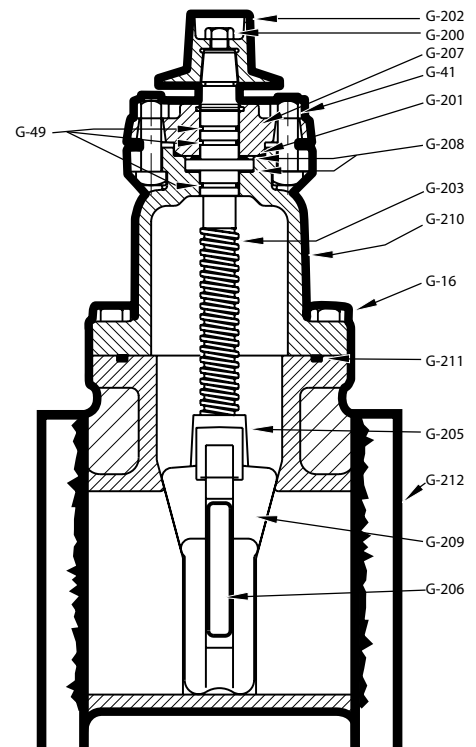
### Options

See page 10.46 for more information on Resilient Wedge Gate Valve options

- Position indicators
- Stainless steel fasteners: Type 316
- Stainless steel stem: Type 304, Type 316
- ASTM B98-C66100/H02 stem
- Handwheel
- EPDM Disc and o-rings

### Resilient wedge gate valve parts

Catalog Part No.	Description	Material	Material Standard
G-16	Bonnet Bolts & Nuts	304 Stainless Steel	ASTM F593 (bolt) ASTM F594 (nut)
G-41	Stuffing Box Bolts & Nuts	304 Stainless Steel	ASTM F593 (bolt) ASTM F594 (nut)
G-49	Stem O-rings (3)	Nitrile	ASTM D2000
G-200	Wrench Nut Cap Screw	304 Stainless Steel	ASTM F593
G-201	Stuffing Box O-ring	Nitrile	ASTM D2000
G-202	Wrench Nut	Ductile Iron	ASTMA536 ▼
G-203	Stem	Bronze	ASTM B138
G-204	Hand Wheel (not shown)	Cast Iron +	ASTMA126 CL.B
G-205	Stem Nut	Bronze	ASTM B62
G-206	Guide Cap Bearings	Acetal	-
G-207	Stuffing Box with dirt seal**	Cast Iron + Nitrile	ASTMA126 CL.B ASTM D200
G-208	Anti-friction Washers (2)	Acetal	-
G-209	Wedge, Rubber Encapsulation	Ductile Iron* SBR	ASTMA536 ▼ ASTM D2000
G-210**	Bonnet	Ductile Iron	ASTMA536 ▼
G-211**	Bonnet gasket	Nitrile	ASTM D2000
G-212**	Body	Ductile Iron	ASTMA536 ▼



\*Fully encapsulated in molded rubber with no iron exposed

\*\*Dirt seal on 4" - 12" valves

▼ Material strength ASTM A536 65-45-minimum

+ Manufacturer's option to upgrade material to ductile iron ASTM A536