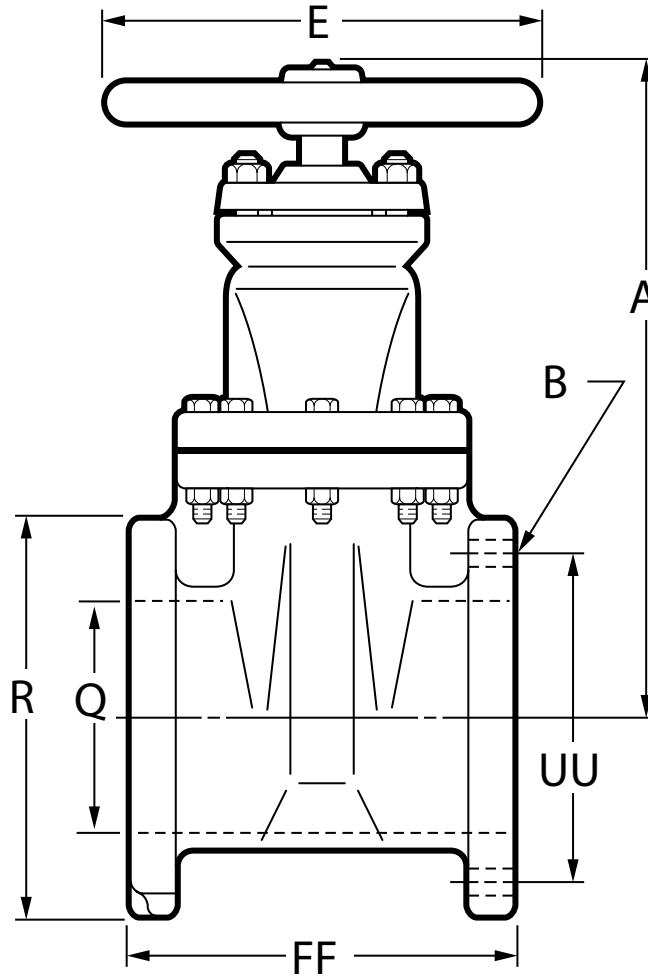


**3" - 12" A-2362 RESILIENT WEDGE  
GATE VALVES - FL. x FL.**



**10.33**

Shaded area indicates change Rev. 5-15



**Dimensions**

Dimension	Nominal Size					
	3"	4"	6"	8"	10"	12"
A	12.38	14.19	18.00	21.50	25.50	28.62
E	8.00	11.00	13.00	14.00	16.00	16.00
R	7.50	9.00	11.00	13.50	16.00	19.00
FF	8.00	9.00	10.50	11.50	13.00	14.00
Q (bore)	3.30	4.30	6.30	8.30	10.30	12.30
UU (bolt circle diameter)	6.00	7.50	9.50	11.75	14.25	17.00
B (number and size of holes)	4--.75	8--.75	8--.88	8--.88	12--1.00	12--1.00
Turns to open	11	14	20.5	26.5	33	38.5
Weight*	73	96	154	250	392	522

\*All dimensions are in inches. All weights are in pounds and are approximate.