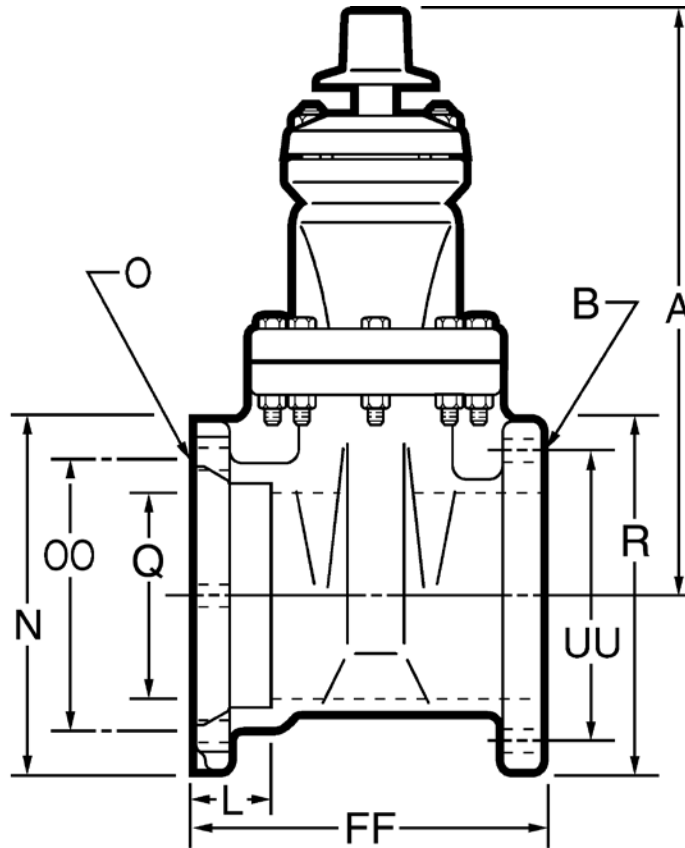


**3" - 12" A-2362 RESILIENT WEDGE
GATE VALVES - M.J. x FL.**



10.35

Shaded area indicates change Rev. 5-15



Dimensions

| Dimension | Nominal Size | | | | | |
|------------------------------|--------------|--------|--------|--------|----------|----------|
| | 3" | 4" | 6" | 8" | 10" | 12" |
| A | 12.38 | 14.19 | 18.00 | 21.50 | 25.50 | 28.62 |
| L | 2.50 | 2.50 | 2.50 | 2.50 | 2.50 | 2.50 |
| N | 7.50 | 9.12 | 11.12 | 13.37 | 15.62 | 17.88 |
| O | 4--.88 | 4--.88 | 6--.88 | 6--.88 | 8--.88 | 8--.88 |
| Q (bore) | 3.30 | 4.30 | 6.30 | 8.30 | 10.30 | 12.30 |
| OO (bolt circle diameter) | 6.19 | 7.50 | 9.50 | 11.75 | 14.00 | 16.25 |
| R (number and size of holes) | 7.50 | 9.00 | 11.00 | 13.50 | 16.00 | 19.00 |
| UU | 5.50 | 7.50 | 9.50 | 11.75 | 14.25 | 17.00 |
| FF | 8.8 | 9.50 | 11.06 | 12.09 | 13.94 | 14.50 |
| B | 4--.75 | 8--.75 | 8--.88 | 8--.88 | 12--1.00 | 12--1.00 |
| Turns to open | 11 | 14 | 20.5 | 26.5 | 33 | 38.5 |
| Weight* | 67 | 115 | 168 | 275 | 400 | 570 |

* All dimensions are in inches. All weights include accessories are in pounds and are approximate.