

Rev. 7-16 Shaded area indicates changes

- Catalog number– **A-2362-62** Slip On (less Field Lok gasket) x flange end
- Sizes – 4", 6", 8", 12"
- Meets or exceeds all applicable requirements of ANSI/AWWA C509 and C515, UL 262 Listed, FM 1120/1130 Approved, and certified to ANSI/NSF 61
- Slip-on ends with Field Lok gaskets are to be used on ductile iron pipe
- Flange end drilling complies with ASME/ANSI B16.1 Class 125
- Iron body with nominal 10 mils MUELLER® Pro-Gard® Fusion Bonded Epoxy Coated interior and exterior surfaces
- Epoxy coating meets or exceeds all applicable requirements of ANSI/AWWA C550 Standard
- Iron wedge, symmetrical and fully encapsulated with molded rubber; no exposed iron
- Non-rising stem (NRS)
- Triple O-ring seal (2 above the thrust collar and 1 below)
- 2" square wrench nut - open left or open right
- 250 psig (1725 kPa/17 barg) maximum working pressure; 500 psig (3450 kPa/35 barg) static test pressure
- UL Listed, FM Approved: 200 psig (1375 kPa/14 barg)
- Mueller valves are designed for potable water applications



A-2362-62

Slip-on end on this valve is intended for use with Field Lok†† restrained gaskets.

†Design and dimensions of the joint are manufactured under license of U.S. Pipe and Foundry Company.
 ††Field Lok is a trademark of U.S. Pipe and Foundry Company, used with permission.

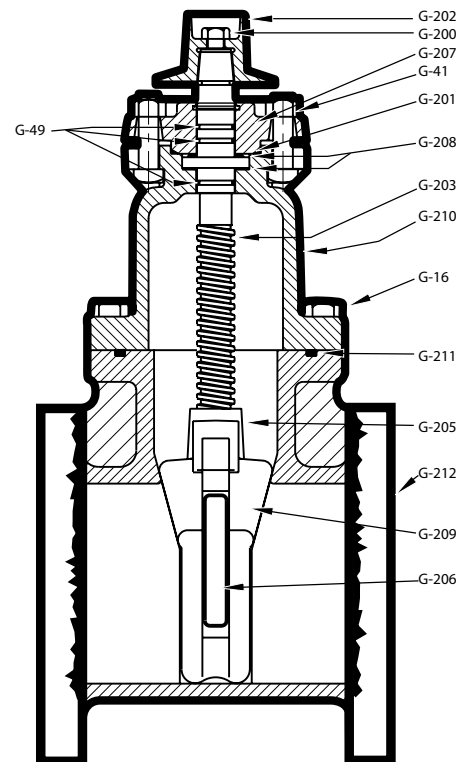
Options

See page 10.46 for more information on Resilient Wedge Gate Valve options

- Position indicators
- Stainless steel fasteners: Type 316
- Stainless steel stem: Type 304, Type 316
- ASTM B98-C66100/H02 stem
- Handwheel
- EPDM Disc and o-rings

Resilient wedge gate valve parts

Catalog Part No.	Description	Material	Material Standard
G-16	Bonnet Bolts & Nuts	304 Stainless Steel	ASTM F593 (bolt) ASTM F594 (nut)
G-41	Stuffing Box Bolts & Nuts	304 Stainless Steel	ASTM F593 (bolt) ASTM F594 (nut)
G-49	Stem O-rings (3)	Nitrile	ASTM D2000
G-200	Wrench Nut Cap Screw	304 Stainless Steel	ASTM F593
G-201	Stuffing Box O-ring	Nitrile	ASTM D2000
G-202	Wrench Nut	Ductile Iron	ASTMA536 ▼
G-203	Stem	Bronze	ASTM B138
G-204	Hand Wheel (not shown)	Cast Iron +	ASTM A126 CL.B
G-205	Stem Nut	Bronze	ASTM B62
G-206	Guide Cap Bearings	Acetal	-
G-207	Stuffing Box with dirt seal	Cast Iron + Nitrile	ASTM A126 CL.B ASTM D2000
G-208	Anti-friction Washers (2)	Acetal	-
G-209	Wedge, Rubber Encapsulation	Ductile Iron* SBR	AASTMA536 ▼ ASTM D2000
G-210**	Bonnet	Ductile Iron	ASTMA536 ▼
G-211**	Bonnet O-ring	Nitrile	ASTM D2000
G-212**	Body	Ductile Iron	ASTMA536 ▼



*Fully encapsulated in molded rubber with no iron exposed

▼ Material strength ASTM A536 65-45 minimum

+ Manufacturer's option to upgrade material to ductile iron ASTM A536