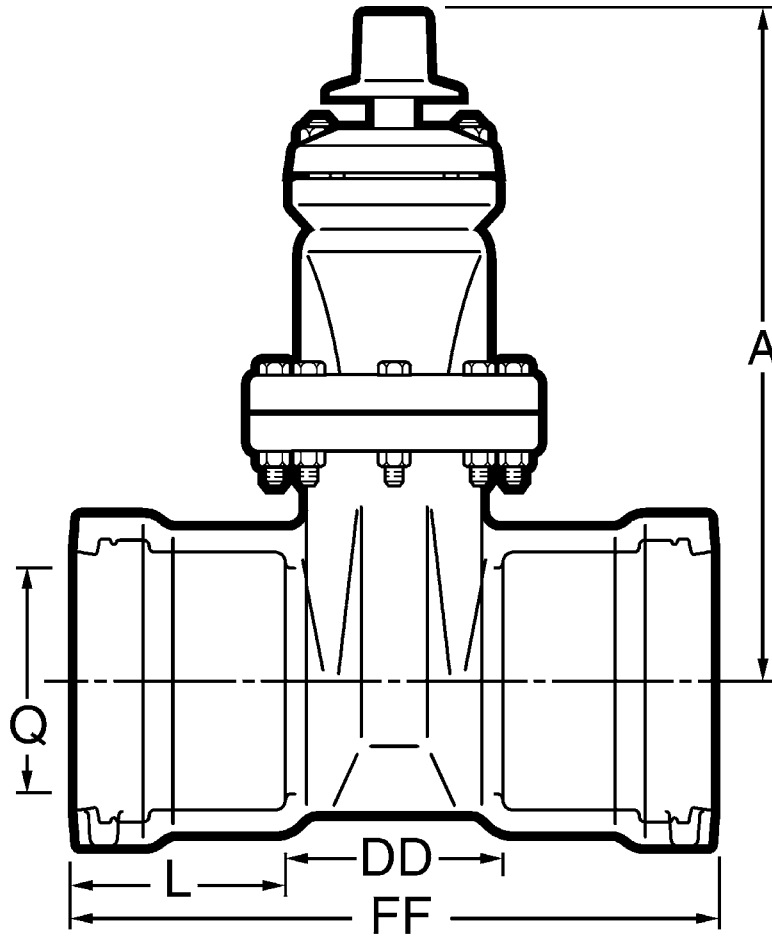


**4"-8" A-2361 RESILIENT WEDGE
GATE VALVE - RAD. x RAD.**



10.57

Shaded area indicates change Rev. 1-16



Dimensions

Dimension*	Nominal Size		
	4"	6"	8"
A	14.19	19.00	21.50
FF	13.43	15.91	18.40
L	4.46	5.46	6.20
Q (bore)	4.30	6.30	8.30
DD	4.51	4.99	6.00
Turns to open	14	20.5	26.5
Weight*	96	155	260

*All dimensions are in inches. All weights are in pounds and are approximate.