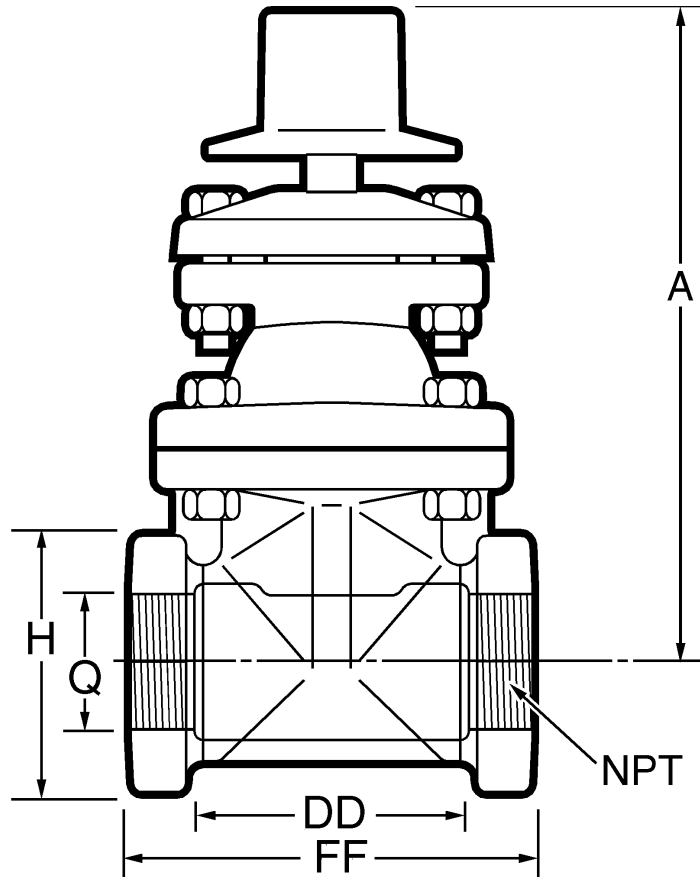


**2"-3" A-2360 RESILIENT
WEDGE GATE VALVE - THD. x THD.**



10.59

Shaded area indicates change Rev. 9-14



Dimensions

Dimension*	Nominal Size		
	2"	2-1/2"	3"
A	9.88	12.38	12.38
FF	5.88	5.88	6.88
Q (bore)	2.30	2.80	3.30
H (hex across flats)	3.88	4.25	5.00
DD	4.12	4.12	5.12
Turns to open	8	11	11
Weight*	31	60	62

*All dimensions are in inches. All weights are in pounds and are approximate.