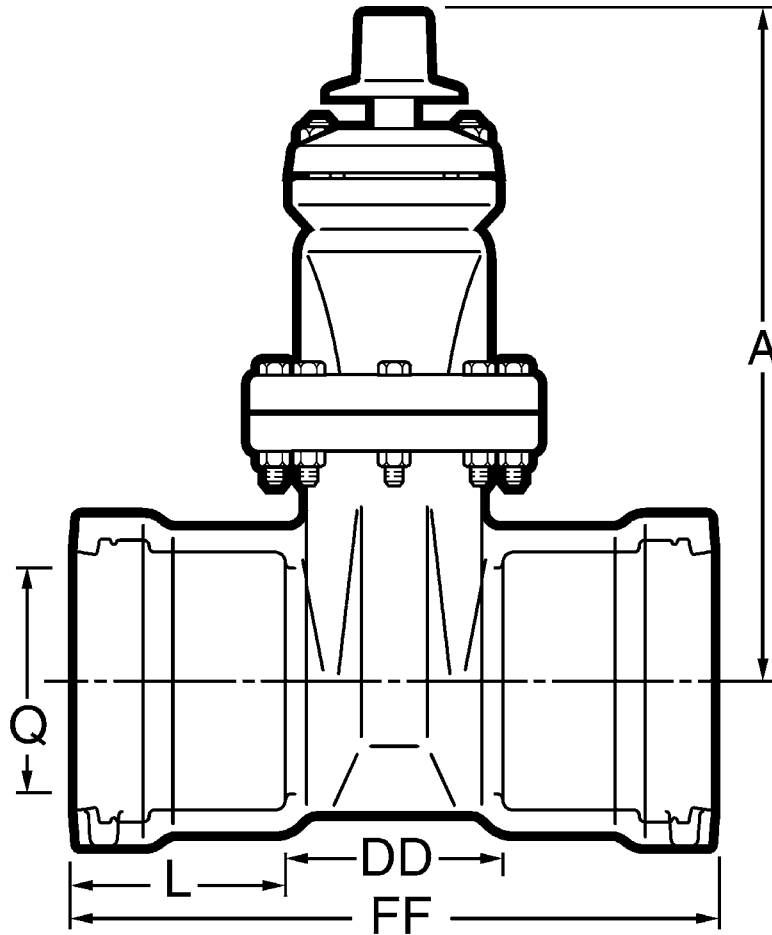


**2"-3" A-2360 RESILIENT WEDGE
GATE VALVE - RAD. x RAD.**



10.61

Shaded area indicates change Rev. 1-16



Dimensions

Dimension*	Nominal Size		
	2"	2-1/2"	3"
A	9.88	12.38	12.38
FF	10.25	10.75	11.75
L	3.50	3.69	4.12
Q (bore)	2.30	2.80	3.30
DD	3.25	3.37	3.51
Turns to open	8	11	11
Weight*	35	65	67

*All dimensions are in inches. All weights are in pounds and are approximate.