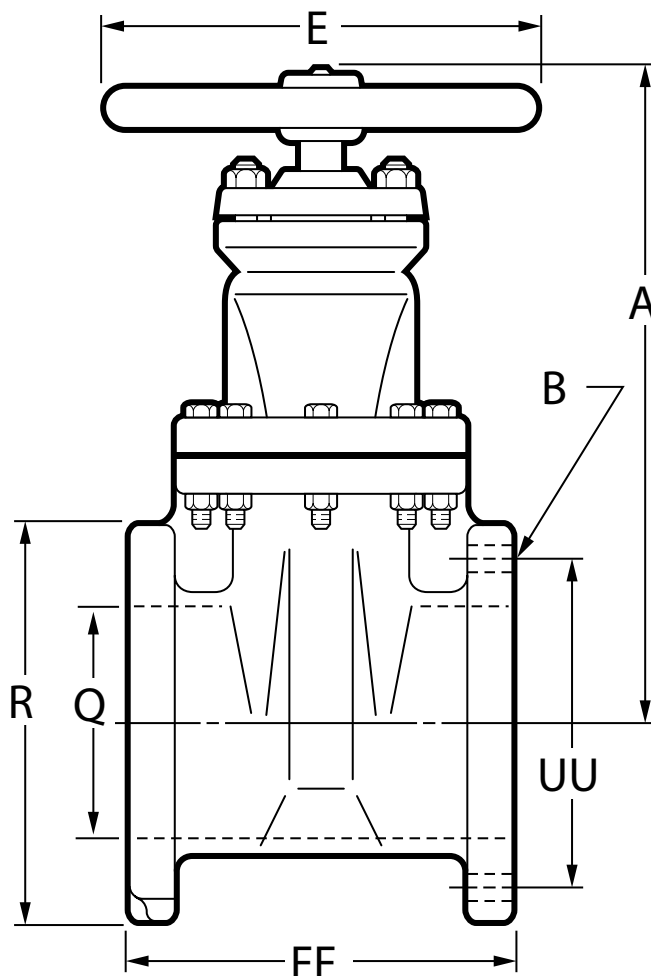


4" - 12" A-2361 RESILIENT WEDGE GATE VALVES - FL. x FL.



10.7

Shaded area indicates change Rev. 7-16



Dimensions

Dimension	Nominal Size				
	4"	6"	8"	10"	12"
A	14.19	18.00	21.50	25.50	28.62
E	11.00	13.00	14.00	16.00	16.00
R	9.00	11.00	13.50	16.00	19.00
FF	9.00	10.50	11.50	13.00	14.00
Q (bore)	4.30	6.30	8.30	10.30	12.30
UU (bolt circle diameter)	7.50	9.50	11.75	14.25	17.00
B (number and size of holes)	8--.75	8--.88	8--.88	12--1.00	12--1.00
Turns to open	14	20.5	26.5	33	38.5
Weight*	81	136	213	326	440

*All dimensions are in inches. All weights are in pounds and are approximate.