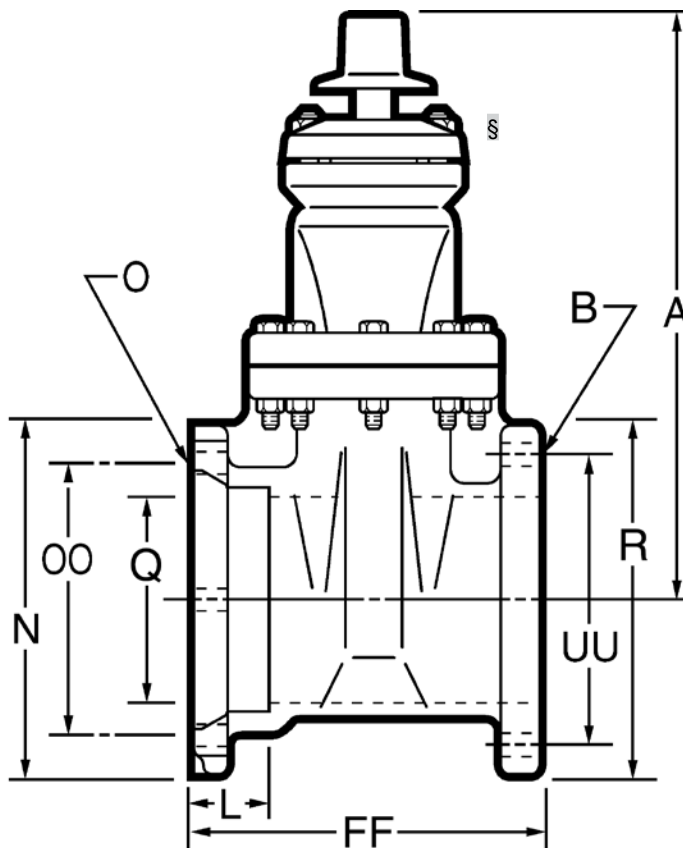


4" - 12" A-2361 RESILIENT WEDGE GATE VALVES - M.J. x FL.



10.9

Shaded area indicates change Rev. 7-16



Dimensions

Dimension	Nominal Size				
	4"	6"	8"	10"	12"
A	14.19	18.00	21.50	25.50	28.62
L	2.50	2.50	2.50	2.50	2.50
N	9.12	11.12	13.37	15.62	17.88
O	4--.88	6--.88	6--.88	8--.88	8--.88
Q (bore)	4.30	6.30	8.30	10.30	12.30
OO (bolt circle diameter)	7.50	9.50	11.75	14.00	16.25
R (number and size of holes)	9.00	11.00	13.50	16.00	19.00
UU	7.50	9.50	11.75	14.25	17.00
FF	9.50	11.06	12.09	13.94	14.50
B	8--.75	8--.88	8--.88	12--1.00	12--1.00
Turns to open	14	20.5	26.5	33	38.5
Weight*	110	156	256	368	528

* All dimensions are in inches. All weights include accessories are in pounds and are approximate.