

- Catalog number--
5227-6 Flanged Ends; ANSI 250lb Drilling B16.1
 Sizes--6", 8", 10", 12", 14", 16", 18", 20", 24", 30", 36", 42", 48
5227-23 Mechanical Joint Ends; ANSI 250lb Drilling B16.1
 Sizes--6", 8", 10", 12", 14", 16", 18", 20", 24", 30", 36"
- 350psig (2415kPa/24 barg) maximum working pressure with temperatures to 250°F
- Meets or exceeds all applicable requirements of ANSI/AWWA C504 Standard Class 250B; NSF 61/372 certified
- Body - Ductile Iron ASTM A-536 (65-45-12)
- Available in sizes 6"-48" (FLxFL) & 6"-36" (MJxMJ)
- 17-4 stainless steel shaft
- Disc - Ductile Iron ASTM A-536 (65-45-12)
- Nonmetallic bearings prevent galvanic corrosion & provides lower coefficient of friction
- Chevron "V" type packing is self-adjusting to last the life of the valve

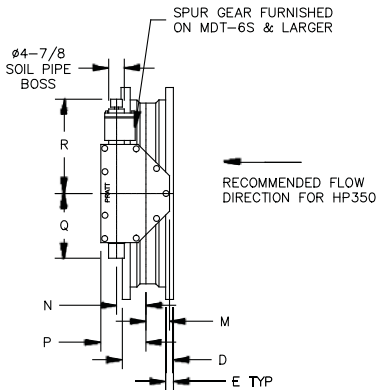


6"-36" (MJxMJ) & 6"-48" (FLxFL)

Options

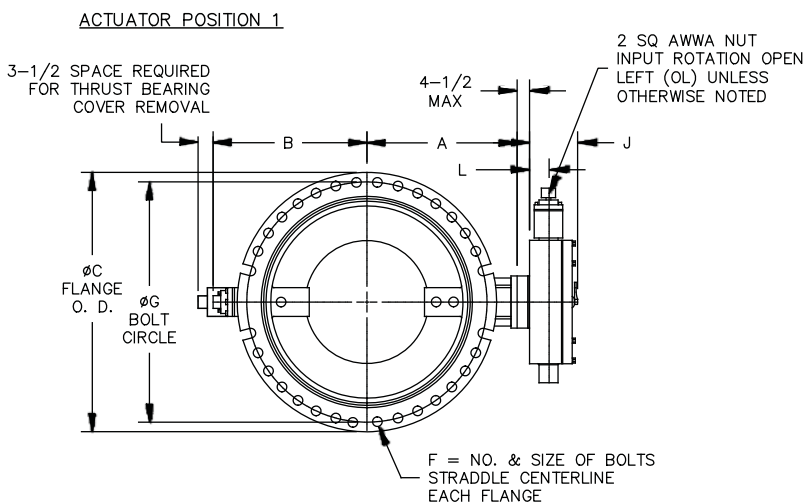
- Manual traveling nut or worm gear
- Electrical motor or cylinder actuator
- Full range of extensions, indicators, positioners, remote controls, and other accessories available
- Actuator options: Nut; Handwheel; Burried service

Dimensions - 6"-36" Mechanical Joint Ends, Manual Actuator



Dim.	Valve Size										
	6"	8"	10"	12"	14"	16"	18"	20"	24"	30"	36"
A	7.25	8.50	9.75	11.50	12.75	14	15.25	17	19.75	25.63	28.13
B	8.38	9.63	13.31	12.63	13.88	15.13	16.38	17.63	20.25	25.50	30.63
C	11.06	13.31	15.63	17.88	20.25	22.50	24.75	27	31.50	39	45.88
D	10	10	10	10	12.50	12.50	13.25	13.25	13.25	18	22
E	1.06	1.13	1.19	1.25	1.31	1.38	1.44	1.50	1.63	1.81	2
F	6-0.75	6-0.75	8-0.75	8-0.75	10-0.75	12-0.75	12-0.75	14-0.75	16-0.75	20-1.13	24-1.13
G	9.50	11.75	14	16.25	18.75	21	23.25	25.50	30	36-0.88	43.75
X	5	5	5	5	5.50	5.50	6.25	6.25	6.25	10	14

Dimensions - MDT Manual Actuator Dimensional Data



Dim.	MDT Size					
	MDT-2S	MDT-3S	MDT-4S	MDT-5	MDT-5S	MDT-6S
J	4.69	5.63	6.38	7.56	8.31	10.19
L	2	2.44	2.84	3.47	3.94	5.06
M	2.13	3.25	3.38	4.50	5.50	7
N	2	3.16	4	5.50	3.63	8.25
P	4.50	5.63	7.31	8.75	10.50	12.63
Q	4.25	5.38	6.75	10	15.94	18.56
R	8.25	10.38	11.31	17	18.63	26.50
# Turns to Close	32	30	40	44	136	215

NOTES:
 • All dimensions shown are in inches
 • Furnished in standard position
 Contact factory for other mounting positions