

## MUELLER® Tapping Sleeves and Crosses

- Full range of Tapping Sleeves and Crosses to fit most types of pipe including cast iron, ductile iron, A-C, and cast iron O.D. PVC--Also outlet sealed Tapping Sleeves for cast iron O.D. PVC plastic pipe and all classes of ductile iron and cast iron pipe through Class D pit cast iron.
- Sizes range from 4"x4" to 24"x24".
- All sleeves have outlet flange with dimensions and drilling that comply with ANSI B16.1, class 125 and with MSS SP-60.
- Available with optional Mueller HP® Epoxy Coating A-C sleeves are coated with orange primer. T-28 sleeve has epoxy coating and 304SS nuts and bolts as standard.
- Maximum working pressures: see product listings.



## MUELLER Tapping Valves

- Choice of Resilient Wedge or IBBM types.
- Sizes 2" through 48" Resilient Wedge 14" - 24" IBBM.
- One end flanged with alignment lip\ to attach to Tapping Sleeve, other end available with a variety of end connections with a special flange to permit attachment of Drilling Machine and Adapter.
- Meets all applicable parts of ANSI/AWWA C500, C509, and C515 Standards.
- Non-rising stem (NRS).
- 2"-3" RWGV max working pressure 250 psig (1725 kPa/17 barg) test pressure 500 psig (3450 kPa/35 barg).
- 4"- 12" RWGV: maximum working pressure 350 psig (2400 kPa/24 barg) test pressure 700 psig (4800 kPa/48 barg)
- 14"- 48" RWGV: maximum working pressure 250 psig (1725 kPa/17 barg) test pressure 500 psig (3450 kPa/35 barg)
- IBBM: maximum working pressure 14"-24" 150 psig (1100 kPa/11 barg) - test pressure 300 psig (2100 kPa/21 barg).
- Mueller valves are designed for potable water applications



## MUELLER Stainless Steel Tapping

- Sizes to fit iron pipe size PVC, C900 cast iron O.D. PVC, A-C, cast iron and ductile iron pipe.
- Sizes range from 4"x4" through 24"x12".
- Test plug standard.
- Fully passivated.
- Choice of FL or MJ integral outlet flange.
- "Waffle" 360° gasket with integral gap bridge.
- Maximum working pressures: see product listings.



## MUELLER Split Repair Sleeves

- Heavy cast iron construction.
- Long length for support and rigidity.
- 4" thru 24" sizes.
- 4" - 12" sizes--250 psig (1725 kPa/17 barg) maximum working pressure .
- 14" - 24" sizes--150 psig (1100 kPa/11 barg) maximum working pressure.



## MUELLER Cut-In Sleeve and Valve

- Mueller Cut-In Sleeve and Valve are used to install a gate valve in an existing cast iron, ductile iron or cast iron O.D. PVC plastic pipe main when water interruption is permissible.
- Cut-In Sleeves are marked with length of pipe that is to be cut from main.
- Mechanical joint ends speed installation.



Rev. 7-16 Shaded area indicates changes

- Catalog number--  
**H-615** Mechanical Joint Tapping Sleeve - with Duck Tipped end gaskets
- Sizes-- 4"-24" main and outlet (see chart below for available size combinations)
- Outlet flange dimensions and drilling comply with **ASME/ANSI B16.1 Class 125** and with MSS SP-60
- Certified to ANSI/NSF 61
- Ductile Iron body with 3/4" NPT test plug
- 4"-24" sizes--250 psig (1725 kPa/17 barg) maximum working pressure



**H-615**

### Tapping Sleeve pipe information

| Nominal size of main | O.D. Range of sleeve |             | Class and type of pipe   | End Gasket part number |
|----------------------|----------------------|-------------|--|------------------------|
|                      | Inch                 | mm          |  |                        |
| 4"                   | 4.74"-4.86"          | 120.5-123.3 | Cast iron classes 100, 150, 200 & A - all classes of ductile iron - cast iron O.D. PVC plastic pipe classes 150 & 200      | 195824                 |
|                      | 4.87"-5.32"          | 123.8-135.0 | Cast iron classes B, C, & D - A-C classes 100 & 150  | 195653                 |
| 6"                   | 6.84"-6.96"          | 173.8-176.7 | Cast iron classes 100, 150, 200 & A - all classes of ductile iron - cast iron O.D. PVC plastic pipe classes 150 & 200      | 195825                 |
|                      | 6.97"-7.40"          | 177.1-187.9 | Cast iron classes B, C, & D - A-C classes 100 & 150  | 195654                 |
| 8"                   | 8.99"-9.11"          | 228.4-231.3 | Cast iron classes 100, 150, 200, & A & B - all classes of ductile iron - cast iron O.D. PVC plastic pipe classes 150 & 200 | 195826                 |
|                      | 9.12"-9.62"          | 231.7-244.2 | Cast iron classes B, C, & D - A-C classes 100 & 150  | 195655                 |
| 10"                  | 11.04"-11.16"        | 280.5-283.4 | Cast iron classes 150, 200, 250, & A & B - all classes of ductile iron - cast iron O.D. PVC plastic pipe classes 150 & 200 | 194680                 |
| 12"                  | 13.14"-13.26"        | 333.9-336.7 | Cast iron classes 150, 200, 250, & A & B - all classes of ductile iron - cast iron O.D. PVC plastic pipe classes 150 & 200 | 194638                 |
| 14"                  | 15.22"-15.35"        | 386.7-389.8 | Cast iron classes 50, 100, 150, 200, 250, A & B - all classes of ductile iron  | 195127                 |
| 16"                  | 17.32"-17.45"        | 440.0-443.1 | Cast iron classes 50, 100, 150, 200, 250, A & B - all classes of ductile iron  | 195128                 |
| 18"                  | 19.42"-19.55"        | 493.4-496.5 | Cast iron classes 50, 100, 150, 200, 250, A & B - all classes of ductile iron  | 195266                 |
| 20"                  | 21.52"-21.65"        | 546.7-549.8 | Cast iron classes 50, 100, 150, 200, 250, A & B - all classes of ductile iron  | 195129                 |
| 24"                  | 25.72"-25.85"        | 653.4-656.5 | Cast iron classes 50, 100, 150, 200, 250, A & B - all classes of ductile iron  | 195130                 |

### Sizes available

| Nominal size of main | Outlet size |    |    |     |     |     |     |     |     |     |
|----------------------|-------------|----|----|-----|-----|-----|-----|-----|-----|-----|
|                      | 4"          | 6" | 8" | 10" | 12" | 14" | 16" | 18" | 20" | 24" |
| 4"                   | X           | -  | -  | -   | -   | -   | -   | -   | -   | -   |
| 6"                   | X           | X  | -  | -   | -   | -   | -   | -   | -   | -   |
| 8"                   | X           | X  | X  | -   | -   | -   | -   | -   | -   | -   |
| 10"                  | X           | X  | X  | X   | -   | -   | -   | -   | -   | -   |
| 12"                  | X           | X  | X  | X   | X   | -   | -   | -   | -   | -   |
| 14"                  | -           | X  | X  | X   | X   | X   | -   | -   | -   | -   |
| 16"                  | X           | X  | X  | X   | X   | X   | X   | -   | -   | -   |
| 18"                  | X           | X  | X  | X   | X   | -   | X   | X   | -   | -   |
| 20"                  | X           | X  | X  | X   | X   | X   | X   | X   | X   | -   |
| 24"                  | X           | X  | X  | X   | X   | X   | X   | X   | X   | X   |

# MECHANICAL JOINT TAPPING SLEEVE FOR PITCAST C.I. PIPE



# 12.3

Shaded area indicates change Rev. 7-16

- Catalog number--  
**H-616** Mechanical Joint Tapping Sleeve - plain rubber end gaskets
- Sizes-- 10"-24" main and 4"-24" outlet (see chart below for available size combinations)
- Outlet flange dimensions and drilling comply with ASME/ANSI B16.1 Class 125 and with MSS SP-60
- Ductile Iron body with 3/4" NPT test plug
- 10"-12" sizes--200 psig (1375 kPa/14 barg) maximum working pressure
- 14"-24" sizes--200 psig (1375 kPa/14 barg) maximum working pressure



**H-616**

## Tapping Sleeve pipe information

| Nominal size of main | O.D. Range of sleeve |             | Class and type of pipe  | End Gasket Part Numbers |
|----------------------|----------------------|-------------|-------------------------|-------------------------|
|                      | in.                  | mm          |                         |                         |
| 10"                  | 11.43"-11.46"        | 288.1-291.0 | Cast iron classes C & D | 194681                  |
| 12"                  | 13.44"-13.56"        | 341.5-344.3 |                         | 194642                  |
| 14"                  | 15.59"-15.71"        | 396.1-398.9 |                         | 195131                  |
| 16"                  | 17.74"-17.86"        | 450.7-453.5 |                         | 195132                  |
| 18"                  | 19.84"-20.00"        | 504.1-507.9 |                         | 195268                  |
| 20"                  | 21.98"-22.14"        | 558.4-562.3 |                         | 195133                  |
| 24"                  | 26.24"-26.40"        | 666.6-670.5 |                         | 195134                  |

## Sizes available

| Nominal size of main | Outlet size |    |    |     |     |     |     |     |     |     |
|----------------------|-------------|----|----|-----|-----|-----|-----|-----|-----|-----|
|                      | 4"          | 6" | 8" | 10" | 12" | 14" | 16" | 18" | 20" | 24" |
| 10"                  | X           | X  | X  | X   | -   | -   | -   | -   | -   | -   |
| 12"                  | X           | X  | X  | X   | X   | -   | -   | -   | -   | -   |
| 14"                  | X           | X  | X  | X   | X   | X   | -   | -   | -   | -   |
| 16"                  | X           | X  | X  | X   | X   | X   | X   | -   | -   | -   |
| 18"                  | X           | X  | X  | X   | X   | -   | X   | X   | -   | -   |
| 20"                  | X           | X  | X  | X   | X   | X   | X   | X   | X   | -   |
| 24"                  | X           | X  | X  | X   | X   | X   | X   | -   | X   | X   |

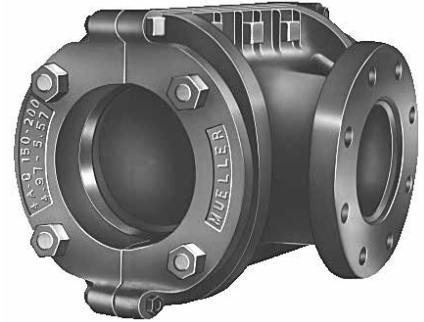
# 12.4



## MECHANICAL JOINT TAPPING SLEEVE FOR A-C PIPE

Rev. 7-16 Shaded area indicates changes

- Catalog number--  
**H-619** Mechanical Joint Tapping Sleeve
- 4"-12" main and outlet (see chart below for available size combinations)
- Specially designed for use on A-C pipe
- Outlet flange dimensions and drilling comply with ANSI ASME/ANSI B16.1 Class 125 and MSS SP-60
- Ductile Iron body with 3/4" NPT test plug
- 4"-12" sizes--200 psig (1375 kPa/14 barg) maximum working pressure



**H-619**

### Tapping Sleeve pipe information

| Nominal size of main | O.D. Range of sleeve |             | Class and type of pipe     | End Gasket part number |
|----------------------|----------------------|-------------|----------------------------|------------------------|
|                      | Inch                 | mm          |                            |                        |
| 4"                   | 4.97"-5.57"          | 126.3-141.4 | A-C classes 150 & 200      | 195656                 |
| 6"                   | 7.05"-7.60"          | 179.2-192.9 | A-C classes 100, 150 & 200 | 195657                 |
| 8"                   | 9.22"-9.79"          | 234.3-248.6 | A-C classes 100, 150 & 200 | 195658                 |
| 10"                  | 11.77"-12.25"        | 299.1-311.1 | A-C classes 150 & 200      | 194307                 |
| 12"                  | 14.03"-14.51"        | 356.5-368.5 | A-C classes 150 & 200      | 194289                 |

### Sizes available

| Nominal size of main | Outlet size |    |    |     |     |
|----------------------|-------------|----|----|-----|-----|
|                      | 4"          | 6" | 8" | 10" | 12" |
| 4"                   | X           | -  | -  | -   | -   |
| 6"                   | X           | X  | -  | -   | -   |
| 8"                   | X           | X  | X  | -   | -   |
| 10"                  | X           | X  | X  | X   | -   |
| 12"                  | X           | X  | X  | X   | X   |

*NOTE: The actual diameter A-C pipe varies among manufacturers and from piece to piece. It is important to measure the pipe diameter at the point where the sleeve will be installed. The O.D. of A-C pipe can be reduced by following the recommendations of the specific pipe manufacturer.*

# U.S. PIPE T-28 DUCTILE IRON TAPPING SLEEVE



# 12.5

Shaded area indicates change Rev. 7-16

- Catalog number--**T-28** Dual Compression Seal Tapping Sleeve
- Sizes--range from 6"-16" main and outlet (see chart below for available size)
- Fits all classes of pipe through Class D pit cast gray iron
- 3/8" test plug standard
- Epoxy coated ductile iron construction
- O-ring seals on outlet and flange connection
- Outlet flange dimensions and drilling comply with ANSI ASME/ANSI B16.1 Class 125 and with MSS SP-60
- 304 Stainless steel bolts
- 250 psig (1725 kPa/17 barg) maximum working pressure



**T-28**

## Tapping Sleeve pipe information

| Nominal size of main | O.D. Range of sleeve |                 | Class and type of pipe                                       |
|----------------------|----------------------|-----------------|--|
|                      | in.                  | mm              |  |
| 6"                   | 6.90 - 7.10          | 175.26 - 180.34 | Fits all classes of pipe through Class D pit cast gray iron. |
| 8"                   | 9.05 - 9.30          | 229.87 - 236.22 |  |
| 10"                  | 11.10 - 11.40        | 281.94 - 289.56 |  |
| 12"                  | 13.20 - 13.50        | 335.28 - 342.90 |  |
| 16"                  | 17.40 - 17.80        | 441.96 - 452.12 |  |

## Sizes available

| Nominal size of main | Outlet size |    |    |     |     |
|----------------------|-------------|----|----|-----|-----|
|                      | 4"          | 6" | 8" | 10" | 12" |
| 6"                   | X           | X  | -  | -   | -   |
| 8"                   | X           | X  | X  | -   | -   |
| 10"                  | X           | X  | X  | X   | -   |
| 12"                  | X           | X  | X  | X   | X   |
| 16"                  | X           | X  | X  | X   | X   |

Rev. 8-16 Shaded area indicates changes



**H-304SS**



**H-304MJ**

- Catalog number-- **H-304** Stainless Steel Tapping Sleeve
- Sizes-4"-24" main and outlet (see chart below for available size combinations)
- Outlet choices: flange or integral MJ outlet
- Outlet flange material options: 304L Stainless steel, carbon steel, or ductile iron outlet flange which meets or exceeds all applicable requirements of ANSI B16.1, class 125 and in accordance with MSS-SP60
- Integral MJ flange is 304L stainless steel
- Certified to ANSI/NSF 61
- 3/4" NPT brass test plug (Stainless Steel optional)
- 4"-12" sizes--250 psig (1725 kPa/17 barg) maximum working pressure
- 14"-24" sizes--200 psig (1375 kPa/14 barg) maximum working pressure

### How to determine a Mueller Tapping Sleeve Part Number

Select the appropriate numbers from the pipe information chart that follows. Example: For 6"x6" with 7.30-7.50 O.D. Range and stainless steel flange. Resulting Part No. **0606H304SS0750**

| Main Size | Outlet Size | Model No. | Flange Material | Maximum O.D. |
|-----------|-------------|-----------|-----------------|--------------|
| 06        | 06          | H-304*    | SS**            | 0750         |

\*3" outlet flange only available in stainless steel

\*\*H-304 is constant for all Mueller Stainless Steel Tapping Sleeves listed here

\*\* SS = stainless steel flange, CS = carbon steel flange, DI = ductile iron flange, MJ=integral mechanical joint outlet.\*

### Tapping Sleeve pipe information

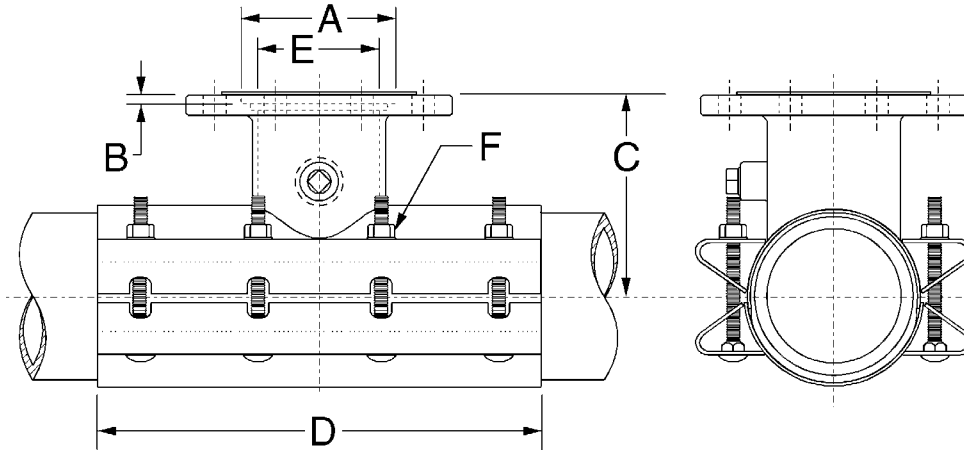
| Size of main | Size of outlet glange    | Available sleeve O.D. ranges |               | Class and type of pipe   |
|--------------|--------------------------|------------------------------|---------------|--|
|              |                          |                              |               |  |
| 4"           | 3", 4"                   | 4.50-4.90                    | 114.30-124.46 | Iron pipe size PVC; C900 Cast Iron O.D. PVC; Cast iron 100-250 A, B, C, D; Ductile Iron; AC 100                |
|              |                          | 4.80-5.00                    |               |  |
| 6"           | 3", 4", 6"               | 6.59-6.99                    | 167.39-177.55 | Iron pipe size PVC; C900 Cast Iron O.D. PVC; Cast iron 100-250 A, B, C, D; Ductile Iron; AC 100, 150           |
|              |                          | 6.89-7.30                    | 175.00-185.42 |  |
|              |                          | 7.10-7.50                    | 180.34-190.50 |  |
|              |                          | 7.40-7.80                    | 187.96-198.12 |  |
| 8"           | 3", 4", 6", 8"           | 7.90-8.30                    | 200.66-210.82 | Iron pipe size PVC; C900 Cast Iron O.D. PVC; Cast Iron 100-250 A, B, C, D; Ductile Iron; AC 100, 150, 200      |
|              |                          | 8.62-9.06                    | 218.95-230.12 |  |
|              |                          | 9.04-9.45                    | 229.62-240.03 |  |
|              |                          | 9.20-9.60                    | 233.68-243.84 |  |
| 10"          | 3", 4", 6", 8", 10"      | 9.90-10.30                   | 251.46-261.62 | Iron pipe size PVC; C900 Cast Iron O.D. PVC; Cast Iron 100-250 A, B, C, D; Ductile Iron; AC 100, 150, 200      |
|              |                          | 10.73-11.13                  | 272.54-282.70 |  |
|              |                          | 11.05-11.45                  | 280.67-290.83 |  |
|              |                          | 11.70-12.10                  | 297.18-307.34 |  |
| 12"          | 3", 4", 6", 8", 10", 12" | 12.00-12.40                  | 304.80-314.96 | C900 Cast Iron O.D. PVC; Cast Iron 100-250 A, B, C, D; Ductile Iron; AC 100, 150, 200; C905 IPS O.D. PVC (14") |
|              |                          | 12.50-12.90                  | 317.50-327.66 |  |
|              |                          | 12.75-13.20                  | 332.85-335.28 |  |
|              |                          | 13.16-13.56                  | 334.26-344.42 |  |
|              |                          | 13.60-14.09                  | 345.44-378.46 |  |
| 14"          | 4", 6", 8", 10", 12"     | 14.10-14.58                  | 358.14-370.33 | C905 Cast Iron O.D. PVC; Cast Iron 100-250 A, B, C, D; Ductile Iron; AC 100, 150, 200; C905 IPS O.D. PVC (16") |
|              |                          | 15.25-15.65                  | 387.35-397.51 |  |
|              |                          | 15.60-16.00                  | 396.24-406.40 |  |
|              |                          | 16.38-16.73                  | 416.05-424.94 |  |
| 16"          | 4", 6", 8", 10", 12"     | 16.48-16.88                  | 418.59-428.75 | C905 Cast Iron O.D. PVC; Cast Iron 100-250 A, B, C, D; Ductile Iron; AC 100, 150, 200; C905 IPS O.D. PVC (18") |
|              |                          | 17.40-17.80                  | 441.96-452.12 |  |
|              |                          | 17.54-17.94                  | 334.26-344.42 |  |
|              |                          | 17.85-18.25                  | 445.52-463.55 |  |
|              |                          | 18.15-18.55                  | 461.01-471.17 |  |
| 18"          | 4", 6", 8", 10", 12"     | 18.60-19.00                  | 472.44-482.60 | C905 Cast Iron O.D. PVC; Cast Iron 100-250 A, B, C, D; Ductile Iron; C905 IPS O.D. PVC (20")                   |
|              |                          | 19.30-19.70                  | 490.22-500.38 |  |
|              |                          | 19.70-20.10                  | 500.38-510.54 |  |
| 20"          | 4", 6", 8", 10", 12"     | 21.40-21.80                  | 543.56-553.72 | C905 Cast Iron O.D. PVC; Cast Iron 100-250 A, B, C, D; Ductile Iron  |
|              |                          | 21.90-22.30                  | 556.26-566.42 |  |
|              |                          | 22.30-22.70                  | 566.42-576.58 |  |
| 24"          | 4", 6", 8", 10", 12"     | 23.30-23.70                  | 591.82-601.98 | C905 cast iron O.D. PVC; Cast Iron 100-250 A, B, C, D; Ductile Iron  |
|              |                          | 23.80-24.10                  | 604.52-612.14 |  |
|              |                          | 25.60-26.00                  | 650.24-660.40 |  |

# STAINLESS STEEL TAPPING SLEEVE 4" - 24"



# 12.7

Shaded area indicates change Rev. 4-14



| Nominal Size |        | Dimensions*    |     |       |        |       | Bolts Per Side |
|--------------|--------|----------------|-----|-------|--------|-------|----------------|
|              |        | Outlet Flange† |     | C     | Sleeve |       |                |
| Main         | Outlet | A              | B   |       |        | D     | E              |
| 4"           | 4"     | 5.0315         | .25 | 7.00  | 15     | 4.50  | 4              |
| 6"           | 4"     | 5.0315         | .25 | 7.50  | 15     | 4.50  | 4              |
| 6"           | 6"     | 7.0315         | .31 | 8.00  | 15     | 6.50  | 4              |
| 8"           | 4"     | 5.0315         | .25 | 8.50  | 15     | 4.50  | 4              |
| 8"           | 6"     | 7.0315         | .31 | 9.00  | 15     | 6.50  | 4              |
| 8"           | 8"     | 9.0315         | .31 | 9.50  | 18     | 8.50  | 6              |
| 10"          | 4"     | 5.0315         | .25 | 10.00 | 15     | 4.50  | 4              |
| 10"          | 6"     | 7.0315         | .31 | 10.50 | 15     | 6.50  | 4              |
| 10"          | 8"     | 9.0315         | .31 | 11.00 | 18     | 8.50  | 6              |
| 10"          | 10"    | 11.0315        | .31 | 11.50 | 24     | 10.50 | 8              |
| 12"          | 4"     | 5.0315         | .25 | 12.00 | 15     | 4.50  | 4              |
| 12"          | 6"     | 7.0315         | .31 | 12.00 | 15     | 6.50  | 4              |
| 12"          | 8"     | 9.0315         | .31 | 12.00 | 18     | 8.50  | 6              |
| 12"          | 10"    | 11.0315        | .31 | 12.00 | 24     | 10.50 | 8              |
| 12"          | 12"    | 13.0315        | .31 | 12.00 | 30     | 12.50 | 8              |
| 14"          | 4"     | 5.0315         | .25 | 13.63 | 15     | 4.50  | 4              |
| 14"          | 6"     | 7.0315         | .31 | 13.63 | 15     | 6.50  | 4              |
| 14"          | 8"     | 9.0315         | .31 | 13.63 | 18     | 8.50  | 6              |
| 14"          | 10"    | 11.0315        | .31 | 13.63 | 24     | 10.50 | 8              |
| 14"          | 12"    | 13.0315        | .31 | 13.63 | 30     | 12.50 | 8              |
| 16"          | 4"     | 5.0315         | .25 | 14.59 | 15     | 4.50  | 4              |
| 16"          | 6"     | 7.0315         | .31 | 14.59 | 15     | 6.50  | 4              |
| 16"          | 8"     | 9.0315         | .31 | 14.59 | 18     | 8.50  | 6              |
| 16"          | 10"    | 11.0315        | .31 | 14.59 | 24     | 10.50 | 8              |
| 16"          | 12"    | 13.0315        | .31 | 14.59 | 30     | 12.50 | 8              |
| 18"          | 4"     | 5.0315         | .25 | 16.00 | 15     | 4.50  | 4              |
| 18"          | 6"     | 7.0315         | .31 | 16.00 | 15     | 6.50  | 4              |
| 18"          | 8"     | 9.0315         | .31 | 16.00 | 18     | 8.50  | 6              |
| 18"          | 10"    | 11.0315        | .31 | 16.00 | 24     | 10.50 | 8              |
| 18"          | 12"    | 13.0315        | .31 | 16.00 | 30     | 12.50 | 8              |
| 20"          | 4"     | 5.0315         | .25 | 16.88 | 15     | 4.50  | 4              |
| 20"          | 6"     | 7.0315         | .31 | 16.88 | 15     | 6.50  | 4              |
| 20"          | 8"     | 9.0315         | .31 | 16.88 | 18     | 8.50  | 6              |
| 20"          | 10"    | 11.0315        | .31 | 16.88 | 24     | 10.50 | 8              |
| 20"          | 12"    | 13.0315        | .31 | 16.88 | 30     | 12.50 | 8              |
| 24"          | 4"     | 5.0315         | .25 | 19.00 | 24     | 4.50  | 8              |
| 24"          | 6"     | 7.0315         | .31 | 19.00 | 24     | 6.50  | 8              |
| 24"          | 8"     | 9.0315         | .31 | 19.00 | 24     | 8.50  | 8              |
| 24"          | 10"    | 11.0315        | .31 | 19.00 | 24     | 10.50 | 8              |
| 24"          | 12"    | 13.0315        | .31 | 19.00 | 30     | 12.50 | 10             |

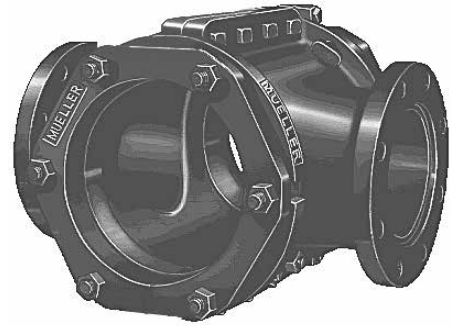
\* All dimensions are in inches.

†With MJ option, this flange is replaced by an integral SS outlet pipe extension and MJ gland welded permanently in place allowing the sleeve to bolt directly to the outlet of any standard MJ valve. Dimensions for MJ option are compatible with standard connections, and A and B dimensions in chart do not apply.



Rev. 7-16 Shaded area indicates changes

- Catalog number - **H-715** Mechanical Joint Tapping Cross - with Duck Tipped end gaskets
- Sizes--4"-24" main and outlet (see chart below for available size combinations)
- Outlet flange dimensions and drilling comply with ANSI **ASME/ANSI B16.1 Class 125** and with MSS SP-60
- Ductile Iron body with 3/4" NPT test plug
- 4"-12" sizes--200 psig (1375 kPa/14 barg) maximum working pressure
- 14" - 24" sizes--150 psig (1100 kPa/11 barg) maximum working pressure



**H-715**

### Tapping Cross pipe information

| Nominal size of main | O.D. Range of sleeve |             | Class and type of pipe   | End Gasket part number |
|----------------------|----------------------|-------------|--|------------------------|
|                      | Inch                 | mm          |  |                        |
| 4"                   | 4.74"-4.86"          | 120.5-123.3 | Cast iron classes 100, 150, 200 & A - all classes of ductile iron - cast iron O.D. PVC plastic pipe classes 150 & 200      | 195824                 |
|                      | 4.87"-5.32"          | 123.8-135.0 | Cast iron classes B, C, & D - A-C classes 100 & 150  | 195653                 |
| 6"                   | 6.84"-6.96"          | 173.8-176.7 | Cast iron classes 100, 150, 200 & A - all classes of ductile iron - cast iron O.D. PVC plastic pipe classes 150 & 200      | 195825                 |
|                      | 6.97"-7.40"          | 177.1-187.9 | Cast iron classes B, C, & D - A-C classes 100 & 150  | 195654                 |
| 8"                   | 8.99"-9.11"          | 228.4-231.3 | Cast iron classes 100, 150, 200, & A & B - all classes of ductile iron - cast iron O.D. PVC plastic pipe classes 150 & 200 | 195826                 |
|                      | 9.12"-9.62"          | 231.7-244.2 | Cast iron classes B, C, & D - A-C classes 100 & 150  | 195655                 |
| 10"                  | 11.04"-11.16"        | 280.5-283.4 | Cast iron classes 100, 150, 200, & A & B - all classes of ductile iron - cast iron O.D. PVC plastic pipe classes 150 & 200 | 194680                 |
| 12"                  | 13.14"-13.26"        | 333.9-336.7 | Cast iron classes 100, 150, 200, & A & B - all classes of ductile iron - cast iron O.D. PVC plastic pipe classes 150 & 200 | 194638                 |
| 14"                  | 15.22"-15.35"        | 386.7-389.8 | Cast iron classes 50, 100, 150, 200, 250, A & B - all classes of ductile iron  | 195127                 |
| 16"                  | 17.32"-17.45"        | 440.0-443.1 | Cast iron classes 50, 100, 150, 200, 250, A & B - all classes of ductile iron  | 195128                 |
| 18"                  | 19.42"-19.55"        | 493.4-496.5 | Cast iron classes 50, 100, 150, 200, 250, A & B - all classes of ductile iron  | 195266                 |
| 20"                  | 21.52"-21.65"        | 546.7-549.8 | Cast iron classes 50, 100, 150, 200, 250, A & B - all classes of ductile iron  | 195129                 |
| 24"                  | 25.72"-25.85"        | 653.4-656.5 | Cast iron classes 50, 100, 150, 200, 250, A & B - all classes of ductile iron  | 195130                 |

### Sizes available

| Nominal size of main | Outlet size |    |    |     |     |     |     |     |     |     |
|----------------------|-------------|----|----|-----|-----|-----|-----|-----|-----|-----|
|                      | 4"          | 6" | 8" | 10" | 12" | 14" | 16" | 18" | 20" | 24" |
| 4"                   | X           | -  | -  | -   | -   | -   | -   | -   | -   | -   |
| 6"                   | X           | X  | -  | -   | -   | -   | -   | -   | -   | -   |
| 8"                   | X           | X  | X  | -   | -   | -   | -   | -   | -   | -   |
| 10"                  | X           | X  | X  | X   | -   | -   | -   | -   | -   | -   |
| 12"                  | X           | X  | X  | X   | X   | -   | -   | -   | -   | -   |
| 14"                  | -           | X  | X  | X   | X   | X   | -   | -   | -   | -   |
| 16"                  | X           | X  | X  | X   | X   | X   | X   | -   | -   | -   |
| 18"                  | X           | X  | X  | X   | X   | -   | X   | X   | -   | -   |
| 20"                  | X           | X  | X  | X   | X   | X   | X   | X   | X   | -   |
| 24"                  | X           | X  | X  | X   | X   | X   | X   | X   | X   | X   |



# MECHANICAL JOINT SPLIT REPAIR SLEEVE FOR CENTRIFUGAL CAST, C.I., D.I., & PVC PIPE



# 12.9

Shaded area indicates change Rev. 7-16

- Catalog number - **H-785** Mechanical Joint Split Repair Sleeve - with Duck Tipped end gasket
- Sizes --4" through 24" (see chart below for sizes, O.D. ranges and sleeve lengths)
- Mechanical joint ends with duck-tipped end gaskets
- Ductile Iron body with 3/4" NPT test plug
- 4"-12" sizes--250 psig (1725 kPa/17 barg) maximum working pressure
- 14" - 24" sizes--150 psig (1100 kPa/11 barg) maximum working pressure



**H-785**

## Tapping Sleeve pipe information

| Nominal size of main | Sleeve length** | O.D. Range of sleeve |             | Class and type of pipe   | End Gasket Part Number |
|----------------------|-----------------|----------------------|-------------|--|------------------------|
|                      |                 | Inch                 | mm          |  |                        |
| 4"                   | 11-1/2"         | 4.47-4.86            | 120.5-123.3 | Cast iron classes 100, 150, 200 and A - all classes ductile iron - cast iron O.D. PVC plastic pipe classes 150 and 200     | 195824                 |
|                      |                 | 4.87-5.32            | 123.8-135.0 | Cast iron classes B, C, and D - A-C classes 100 and 150  | 195653                 |
| 6"                   | 13-1/2"         | 6.84-6.96            | 173.8-176.7 | Cast iron classes 100, 150, 200 and A - all classes ductile iron - cast iron O.D. PVC plastic pipe classes 150 and 200     | 195825                 |
|                      |                 | 6.97-7.40            | 177.1-187.9 | Cast iron classes B, C, and D - A-C classes 100 and 150  | 195654                 |
| 8"                   | 15-1/2"         | 8.99-9.11            | 228.4-231.3 | Cast iron classes 100, 150, 200 and A - all classes ductile iron - cast iron O.D. PVC plastic pipe classes 150 and 200     | 195826                 |
|                      |                 | 9.12-9.62            | 231.7-244.2 | Cast iron classes B, C, and D - A-C classes 100 and 150  | 195655                 |
| 10"                  | 17-1/2"         | 11.04-11.16          | 280.5-283.4 | Cast iron classes 150, 200, 250, A, and B - all classes ductile iron - cast iron O.D. PVC plastic pipe classes 150 and 200 | 194680                 |
| 12"                  | 19-1/2"         | 13.14-13.26          | 333.9-336.7 | Cast iron classes 150, 200, 250, A, and B - all classes ductile iron - cast iron O.D. PVC plastic pipe classes 150 and 200 | 194638                 |
| 14"                  | 22-1/2"         | 15.22-15.35          | 386.7-389.8 | Cast iron classes 50, 100, 150, 200, 250, A and B - all classes ductile iron   | 195127                 |
| 16"                  |                 | 17.32-17.45          | 440.0-443.1 | Cast iron classes 50, 100, 150, 200, 250, A and B - all classes ductile iron   | 195128                 |
| 18"                  |                 | 19.42-19.55          | 493.4-496.5 | Cast iron classes 50, 100, 150, 200, 250, A and B - all classes ductile iron   | 195266                 |
| 20"                  |                 | 21.52-21.65          | 546.7-549.8 | Cast iron classes 50, 100, 150, 200, 250, A and B - all classes ductile iron   | 195129                 |
| 24"                  |                 | 25.72-25.85          | 653.4-656.5 | Cast iron classes 50, 100, 150, 200, 250, A and B - all classes ductile iron   | 195130                 |

\*\*This length does not include end glands or bolts.



**WARNING:** Use on A-C pipe, which contains a known carcinogen, requires appropriate protective equipment and procedures be employed.

Rev. 7-16 Shaded area indicates changes

- Catalog number  
**H-786** Mechanical Joint Split Repair Sleeve - with plain rubber gasket
- Sizes--10" through 24"  
(see chart below for sizes, O.D. ranges, sleeve lengths)
- Mechanical joint ends with plain rubber end gaskets
- Ductile Iron body with 3/4" NPT test plug
- 10"-12" sizes--200 psig (1325 kPa/14 barg) maximum working pressure
- 14"-24" sizes--150 psig (1100 kPa/11 barg) maximum working pressure



**H-786**

### Split Repair Sleeve pipe information

| Nominal size of main | Sleeve length** | O.D. Range of sleeve |             | Class and type of pipe  | End Gasket Part Number |
|----------------------|-----------------|----------------------|-------------|-------------------------|------------------------|
|                      |                 | Inch                 | mm          |                         |                        |
| 10"                  | 17-1/2"         | 11.34-11.46          | 288.1-291.0 | Cast iron classed C & D | 194681                 |
| 12"                  | 19-1/2"         | 13.44-13.56          | 341.5-344.3 |                         | 194642                 |
| 14"                  | 22-1/2"         | 15.59-15.71          | 396.1-398.9 |                         | 195131                 |
| 16"                  |                 | 17.74-17.86          | 450.7-453.5 |                         | 195132                 |
| 18"                  |                 | 19.84-20.00          | 504.1-507.9 |                         | 195268                 |
| 20"                  |                 | 21.98-22.14          | 558.4-562.3 |                         | 195133                 |
| 24"                  |                 | 26.24-26.40          | 666.6-670.5 |                         | 195134                 |



**Reliable Connections<sup>™</sup>**

[www.muellercompany.com](http://www.muellercompany.com)  
[moreinfo@muellercompany.com](mailto:moreinfo@muellercompany.com)

---

Rev. 7-16 Shaded area indicates changes

- Catalog number--  
**T-2360-16** mechanical joint x flanged ends (with mechanical joint unassembled accessories)  
**T-2360-19** mechanical joint x flanged ends (less mechanical joint accessories)
- Sizes - 2", 3"
- Meets or exceeds all applicable requirements of ANSI/AWWA C509 Standard, UL 262 Listed, FM 1120/1130 Approved, and certified to ANSI/NSF 61
- Flanged end drilling complies with ASME/ANSI B16.1 Class 125 and with MSS SP-60
- Mechanical joint outlet complies with ANSI/AWWA C111 Standard
- Iron body with nominal 10 mils Pro-Gard™ Fusion Bonded Epoxy Coated interior and exterior surfaces
- Epoxy coating meets or exceeds all applicable requirements of ANSI/AWWA C550 Standard
- Iron wedge, symmetrical and fully encapsulated with molded rubber; no exposed iron
- Non-rising stem (NRS)
- Triple O-ring seal (2 above the thrust collar and 1 below)
- 2" square wrench nut - open left or open right
- 250 psig (1725 kPa/17 barg) maximum working pressure, 500 psig (3450 kPa/35 barg) static test pressure
- 3" UL Listed, FM Approved: 200 psig (1375 kPa/14 barg) maximum working pressure
- Designed for potable water applications



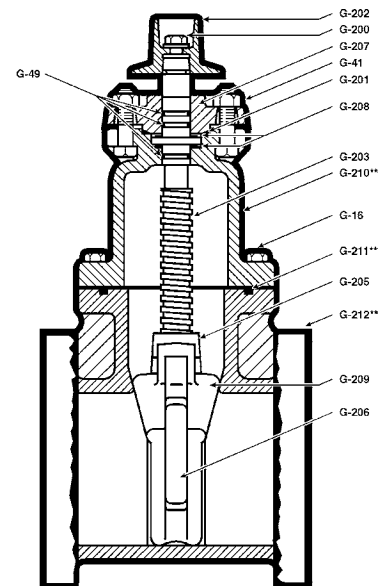
**T-2360-16**  
M.J. accessories  
shipped unassembled

### Options

- Position indicators     Stainless steel fasteners: Type 316     Stainless steel stem: type 304 and type 316
- ASTM B98-C66100/H02 stem     Handwheel     EPDM disc and o-rings

### Resilient wedge gate valve parts

| Catalog Part Number | Description                  | Material             | Material standard                |
|---------------------|------------------------------|----------------------|----------------------------------|
| G-16                | Bonnet bolts and nuts        | 304 Stainless steel  | ASTM F593 (bolt) ASTM F594 (nut) |
| G-41                | Stuffing box bolts and nuts  | 304 Stainless steel  | ASTM F593 (bolt) ASTM F594 (nut) |
| G-49                | Stem o-rings (3)             | Nitrile              | ASTM D2000                       |
| G-79                | Inlet flange gasket          | Nitrile              | ASTM D2000                       |
| G-80                | Inlet flange bolts and nuts  | Steel                | ASTM D242                        |
| G-200               | Wrench nut cap screw         | Stainless steel      | ASTM F593                        |
| G-201               | Stuffing box seal            | Nitrile              | ASTM D2000                       |
| G-202               | Wrench nut                   | Cast Iron+++         | ASTM A126 CL.B                   |
| G-203               | Stem                         | Bronze               | ASTM B138                        |
| G-204               | Handwheel (not shown)        | Cast Iron            | ASTM A126 CL.B                   |
| G-205               | Stem nut                     | Bronze               | ASTM B62                         |
| G-206               | Guide cap bearings           | Acetal               | -                                |
| G-207               | Stuffing box                 | Cast Iron+++         | ASTM A126 CL.B                   |
| G-208               | Anti-friction washer (2)     | Acetal               | -                                |
| G-209               | Wedge<br>Rubber encapsulated | Cast Iron****<br>SBR | ASTM A126 CL.B<br>ASTM D2000     |
| G-210**             | Bonnet                       | Cast Iron+++         | ASTM A126 CL.B                   |
| G-211**             | Bonnet gasket                | Neoprene             | ASTM D2000                       |
| G-212**             | Body                         | Cast Iron+++         | ASTM A126 CL.B                   |



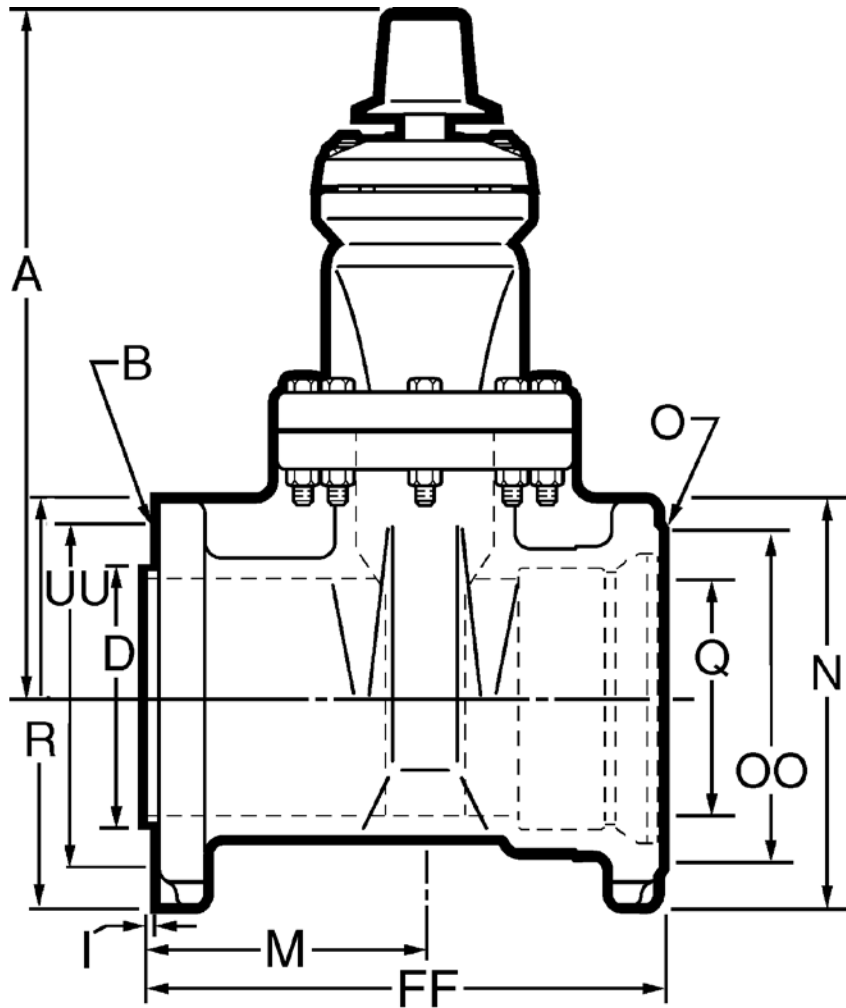
\* Fully encapsulated in molded rubber with no iron exposed  
+++ Manufacturers option to change material to Ductile Iron ASTM A536

**2"-3" MUELLER® T-2360 RESILIENT WEDGE  
GATE TAPPING VALVE - M.J. X FL. ENDS**



**12.13**

Shaded area indicates change Rev. 5-08



**Dimensions**

| Dimensions*                         | Nominal Size |        |
|-------------------------------------|--------------|--------|
|                                     | 2"           | 3"     |
| A                                   | 9.88         | 12.38  |
| R                                   | 6.00         | 7.50   |
| D                                   | 2.97         | 3.97   |
| I                                   | 0.16         | 0.18   |
| M                                   | 4.46         | 4.73   |
| UU (bolt circle diameter)           | 4.75         | 6.00   |
| N                                   | 6.25         | 7.50   |
| B (number and size of holes for FL) | 4--.75       | 4--.75 |
| Q (bore)                            | 2.30         | 3.30   |
| FF                                  | 8.55         | 8.99   |
| O (number and size of holes for MJ) | 4--.75       | 4--.75 |
| OO (bolt circle diameter)           | 4.75         | 6.19   |
| Turns to open                       | 8            | 11     |
| Weight*                             | 44           | 66     |

\* All dimensions are in inches. All weights include accessories are in pounds and approximate.

Rev. 7-16 Shaded area indicates changes

- Catalog number--  
**T-2361-16** mechanical joint x flanged ends (with mechanical joint unassembled accessories)  
**T-2361-19** mechanical joint x flanged ends (less mechanical joint accessories)
- Sizes - 4", 6", 8", 10", 12"
- Meets or exceeds all applicable requirements of ANSI/AWWA C515 Standard, UL 262 Listed, FM 1120/1130 Approved, and certified to ANSI/NSF 61 & 372
- Flanged end drilling complies with ASME/ANSI B16.1 Class 125 and with MSS SP-60
- Mechanical joint outlet complies with ANSI/AWWA C111 Standard
- Iron body with nominal 10 mils Pro-Gard™ Fusion Bonded Epoxy Coated interior and exterior surfaces
- Epoxy coating meets or exceeds all applicable requirements of ANSI/AWWA C550 Standard
- Iron wedge, symmetrical and fully encapsulated with molded rubber; no exposed iron
- Non-rising stem (NRS)
- Triple O-ring seal (2 above the thrust collar and 1 below)
- 2" square wrench nut - open left or open right
- 4"-12" sizes--350 psig (2400 kPa/24 barg) maximum working pressure, 700 psig (4800 kPa/48 barg) static test pressure
- Designed for potable water applications



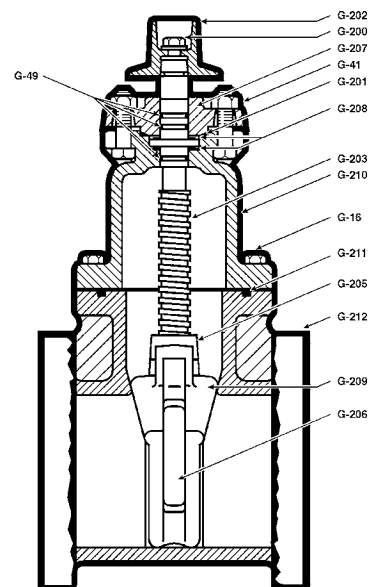
**T-2361-16**  
M.J. accessories  
shipped unassembled

### Options

- Position indicators
- Stainless steel fasteners: Type 316
- Stainless steel stem: type 304 and type 316
- ASTM B98-C66100/H02 stem
- Handwheel
- EPDM disc and o-rings

### Resilient wedge gate valve parts

| Catalog Part Number | Description                  | Material               | Material standard                |
|---------------------|------------------------------|------------------------|----------------------------------|
| G-16                | Bonnet bolts and nuts        | 304 Stainless steel    | ASTM F593 (bolt) ASTM F594 (nut) |
| G-41                | Stuffing box bolts and nuts  | 304 Stainless steel    | ASTM F593 (bolt) ASTM F594 (nut) |
| G-49                | Stem o-rings (3)             | Nitrile                | ASTM D2000                       |
| G-79                | Inlet flange gasket          | Nitrile                | ASTM D2000                       |
| G-80                | Inlet flange bolts and nuts  | Steel                  | ASTM D242                        |
| G-200               | Wrench nut cap screw         | Stainless steel        | ASTM F593                        |
| G-201               | Stuffing box seal            | Nitrile                | ASTM D2000                       |
| G-202               | Wrench nut                   | Ductile Iron           | ASTM A536 ▼                      |
| G-203               | Stem                         | Bronze                 | ASTM B138                        |
| G-204               | Handwheel (not shown)        | Cast Iron +            | ASTM A126 CL.B                   |
| G-205               | Stem nut                     | Bronze                 | ASTM B584                        |
| G-206               | Guide cap bearings           | Acetal                 | -                                |
| G-207               | Stuffing box                 | Ductile Iron<br>Rubber | ASTM A536 ▼<br>ASTM D2000        |
| G-208               | Anti-friction washer (2)     | Acetal                 | -                                |
| G-209               | Wedge<br>Rubber encapsulated | Ductile Iron*<br>SBR   | ASTM A536 ▼<br>ASTM D2000        |
| G-210**             | Bonnet                       | Ductile Iron           | ASTM A536 ▼                      |
| G-211**             | Bonnet gasket                | Nitrile                | ASTM D2000                       |
| G-212**             | Body                         | Ductile Iron           | ASTM A536 ▼                      |



\* Fully encapsulated in molded rubber with no iron exposed

\*\* Previous to 1999 these parts on 4"-12" valves were designed with a gasket instead of an O-ring and with additional bolts. Confirm the type of seal when ordering a replacement gasket or O-ring.

▼ Material strength ASTM A536 65-45 minimum

^ Per ANSI/AWWA C111 working pressure above 250psi requires the use of a special gasket rated for higher pressure.

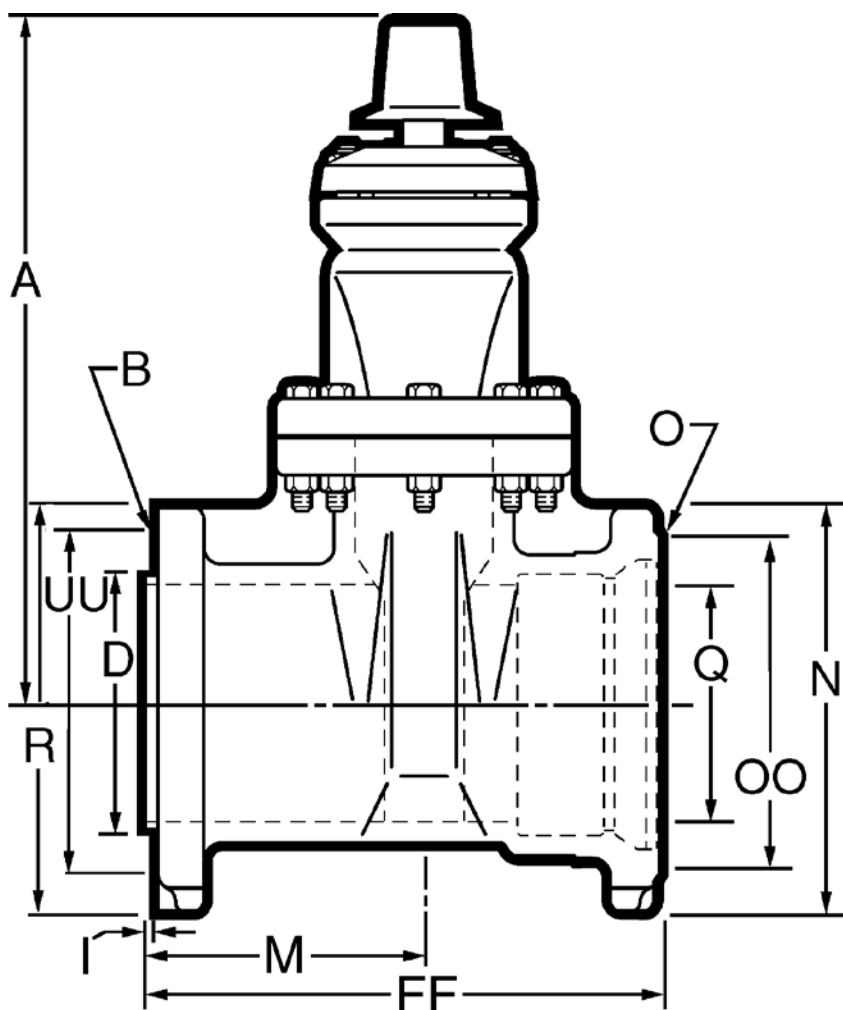
+ Manufacturer's option to change material to ductile iron ASTM A536

**4"-12" MUELLER® T-2361 RESILIENT WEDGE  
GATE TAPPING VALVE - M.J. X FL. ENDS**



**12.15**

Shaded area indicates change Rev. 7-16



**Dimensions**

| Dimensions*                         | Nominal Size |        |        |          |          |
|-------------------------------------|--------------|--------|--------|----------|----------|
|                                     | 4"           | 6"     | 8"     | 10"      | 12"      |
| A                                   | 14.19        | 18.0   | 21.50  | 25.50    | 28.62    |
| R                                   | 9.00         | 11.00  | 13.50  | 16.00    | 19.00    |
| D                                   | 5.00         | 7.00   | 9.00   | 11.00    | 13.00    |
| I                                   | 0.18         | 0.25   | 0.25   | 0.25     | 0.25     |
| M                                   | 6.24         | 6.75   | 7.75   | 8.52     | 7.25     |
| UU (bolt circle diameter)           | 7.50         | 9.50   | 11.75  | 14.25    | 17.00    |
| N                                   | 9.12         | 11.12  | 13.38  | 15.68    | 17.94    |
| B (number and size of holes for FL) | 8--.75       | 8--.88 | 8--.88 | 12--1.00 | 12--1.00 |
| Q (bore)                            | 4.30         | 6.30   | 8.30   | 10.30    | 12.30    |
| FF                                  | 11.91        | 13.00  | 14.62  | 15.95    | 15.24    |
| O (number and size of holes for MJ) | 4--.88       | 6--.88 | 6--.88 | 8--.88   | 8--.88   |
| OO (bolt circle diameter)           | 7.50         | 9.50   | 11.75  | 14.00    | 16.25    |
| Turns to open                       | 14           | 20.5   | 26.5   | 33       | 38.5     |
| Weight*                             | 113          | 151    | 241    | 369      | 488      |

\* All dimensions are in inches. All weights include accessories are in pounds and approximate.



Rev. 7-16 Shaded area indicates changes

- Catalog number--  
**T-2361-16** mechanical joint x flanged ends (with mechanical joint unassembled accessories)  
**T-2361-19** mechanical joint x flanged ends (less mechanical joint accessories)
- Size-- 14", 16"††, 18", 20", 24", 30", 36", 42", 48"
- Meets or exceeds all applicable requirements of ANSI/AWWA C515 Standard, UL 262 Listed, FM 1120/1130 Approved, and certified to ANSI/NSF 61 & 372
- Flanged end drilling complies with ASME/ANSI B16.1 Class 125 and with MSS SP-60
- Mechanical joint end complies with ANSI/AWWA C111 Standard
- Ductile iron body with nominal 10 mils Pro-Gard™ Fusion Bonded Epoxy Coated interior and exterior surfaces; 42" and 48" valves coated with HP epoxy
- Epoxy coating meets or exceeds all applicable requirements of ANSI/AWWA C550 Standard
- Ductile iron wedge, symmetrical and fully encapsulated with molded rubber; no exposed iron
- Non-rising stem (NRS)
- Triple O-ring seal (2 above the thrust collar and 1 below)
- 2" square wrench nut – open left or open right 30"-48" require a Spur Gear or Beval Gear
- 250 psig (1725 kPa/17 barg) maximum working pressure, 500 psig (3400 kPa/34 barg) static test pressure
- 14" and 16" UL Listed: 250 psig (1725 kPa/17 barg); FM Approved: 250 psig (1725 kPa/17 barg)
- 18", 20" and 24" sizes – UL Listed: 175 psig (1200 kPa/12 barg)
- Designed for potable water applications



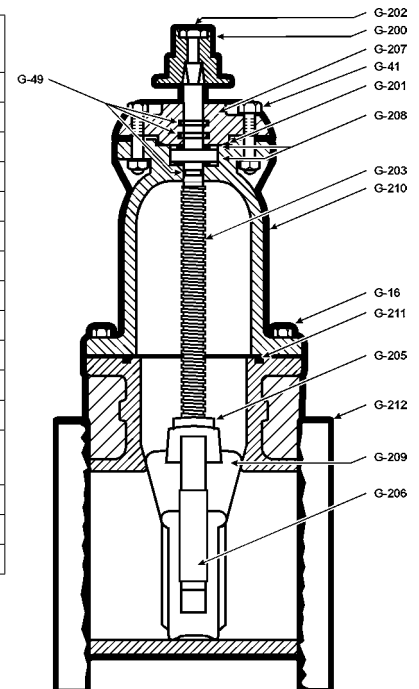
**T-2361-16**  
M.J. accessories  
shipped unassembled

### Options

- Position indicators
- Stainless steel fasteners: Type 304, Type 316
- Spur or Bevel Geared actuator
- ASTM B98-C66100/H02 stem; 14"-16" and ASTM B763-C99500; 18"-48"
- Stainless steel stem: Type 304, Type 316
- Bypass 18"-48" (2" on 18"-20"; 2.5" on 24"; 3" on 30"-48")
- EPDM disc and o-rings (14"-16" option, 18"-48" standard)
- Bypass 3" on 30"-36"; 4" on 42"-48"

### Resilient wedge gate valve parts

| Catalog Part Number | Description                  | Material              | Material standard                                 |
|---------------------|------------------------------|-----------------------|---|
| G-16                | Bonnet bolts and nuts        | Carbon steel          | SAE J429 Grade 2 (bolts) ASTM A563 Grade A (nuts) |
| G-41                | Stuffing box bolts and nuts  | Carbon steel          | SAE J429 Grade 2 (bolts) ASTM A563 Grade A (nuts) |
| G-49                | Stem o-rings (3)†            | Nitrile †             | ASTM D2000  |
| G-200               | Wrench nut cap screw         | Carbon steel          | SAE J429 Grade 2                                  |
| G-201               | Stuffing box o-ring seal†    | Nitrile †             | ASTM D2000  |
| G-202               | Wrench nut                   | Cast Iron +++         | ASTM A126 CL.B                                    |
| G-203               | Stem                         | Bronze                | ASTM B138**                                       |
| G-204               | Handwheel (not shown)        | Cast Iron +++         | ASTM A126 CL.B                                    |
| G-205               | Stem nut                     | Bronze                | ASTM B62  |
| G-206               | Guide cap bearings           | Acetal                | -   |
| G-207               | Stuffing box                 | Ductile Iron          | ASTM A536 ▼                                       |
| G-208               | Anti-friction washer (2)     | Acetal                | -   |
| G-209               | Wedge<br>Rubber encapsulated | Ductile Iron*<br>SBR† | ASTM A536 ▼<br>ASTM D2000                         |
| G-210**             | Bonnet                       | Ductile Iron          | ASTM A536 ▼                                       |
| G-211**             | Bonnet o-ring†               | Nitrile †             | ASTM D2000  |
| G-212**             | Body                         | Ductile Iron          | ASTM A536 ▼                                       |



\* Fully encapsulated in molded rubber with no iron exposed

\*\*18" - 48" ASTM B584

†18" - 48" EPDM standard

††Must use 1/2" under size shell cutter

+++ Manufacturers option to change material to Ductile Iron ASTM A536

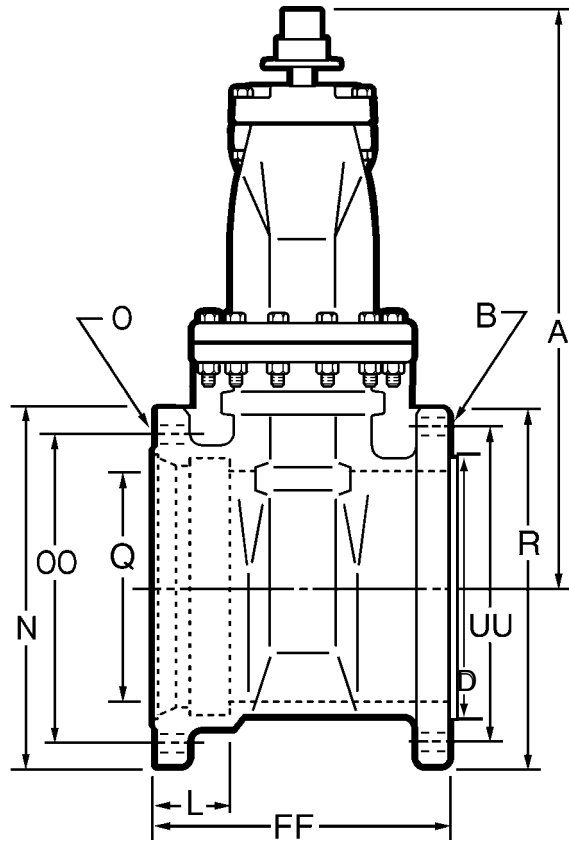
▼ Material strength ASTM A536 65-45 minimum

14" - 48" MUELLER® T-2361 RESILIENT  
WEDGE GATE VALVE - D.I. - M.J. X FL. ENDS



12.17

Shaded area indicates change Rev. 2-16



Dimensions

| Dimensions*                         | Nominal Size |          |          |          |          |                              |          |          |          |
|-------------------------------------|--------------|----------|----------|----------|----------|------------------------------|----------|----------|----------|
|                                     | 14"          | 16"      | 18"      | 20"      | 24"      | 30"†                         | 36"†     | 42"†     | 48"†     |
| A                                   | 32.75        | 37.88    | 44.19    | 48.25    | 53.88    | See A for spur or bevel gear |          |          |          |
| D                                   | 15.25        | 17.25    | 19.47    | 21.47    | 25.47    | 30.94                        | 36.94    | 43.44    | 49.44    |
| L                                   | 3.50         | 3.50     | 3.50     | 3.50     | 3.50     | 4.00                         | 4.00     | 4.00     | 4.00     |
| N                                   | 20.25        | 22.56    | 24.76    | 27.25    | 31.51    | 39.53                        | 46.41    | 53.53    | 60.41    |
| O (number and size of holes for MJ) | 10--.88      | 12--.88  | 12--.88  | 14--.88  | 16--.88  | 20--1.25                     | 24--1.25 | 28--1.38 | 32--1.38 |
| Q (bore)                            | 14.38        | 16.00    | 18.38    | 20.38    | 24.38    | 30.38                        | 36.38    | 42.38    | 48.38    |
| OO (bolt circle diameter for MJ)    | 18.75        | 21.00    | 23.25    | 25.50    | 30.00    | 36.88                        | 43.75    | 50.62    | 57.50    |
| R                                   | 21.00        | 23.50    | 25.00    | 27.50    | 32.00    | 38.75                        | 46.00    | 53.00    | 59.50    |
| UU (bolt circle diameter for FL)    | 18.75        | 21.25    | 22.75    | 25.00    | 29.50    | 36.00                        | 42.75    | 49.50    | 56.00    |
| FF                                  | 17.41        | 17.91    | 19.25    | 19.75    | 21.75    | 29.75                        | 33.75    | 40.38    | 43.79    |
| B                                   | 12--1.12     | 16--1.12 | 16--1.25 | 20--1.25 | 20--1.38 | 28--1.38                     | 32--1.63 | 36--1.63 | 44--1.63 |
| A - spur gear                       | 38.50        | 43.58    | 49.41    | 53.01    | 59.51    | 70.81                        | 83.08    | 97.84    | 109.70   |
| A - bevel gear**                    | 34.00        | 37.38    | 44.50    | 47.69    | 54.06    | 64.93                        | 77.19    | 90.75    | 102.61   |
| Turns to open (without gearing)     | 43.5         | 48       | 57       | 63       | 75       | -                            | -        | -        | -        |
| Turns to open (spur gearing)        | 178          | 201      | 234      | 258      | 308      | 381                          | 455      | 524      | 596      |
| Turns to open (bevel gearing)       | 174          | 196      | 228††    | 252††    | 300††    | 372                          | 444      | 524      | 596      |
| Weight*                             | 655          | 875      | 1226     | 1500     | 2375     | 5100                         | 8400     | 13300    | 19700    |

\*All dimensions are in inches. All weights are in pounds and are approximate. Weights for 30"-48" valves are with gearing; for all others without gearing.

\*\*Center line of operating nut to center line of valve.

†Spur or Bevel Gear must be used with 30", 36", 42", 48" valves.

††Turns shown for Master Gear bevel gearing. Valves with Limitorque bevel gearing: 18" - 227, 20" - 251, 24" - 300".

Rev. 8-16 Shaded area indicates changes

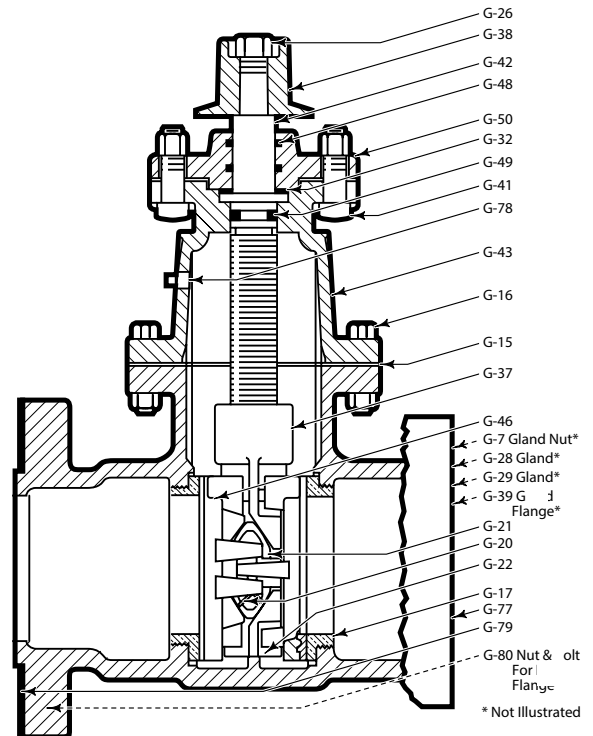
- Meets or exceeds all applicable requirements of ANSI/AWWA C500 Standard,
- Certified to ANSI/NSF 61.
- Catalog number--  
T-2380 flanged x mechanical joint with M.J. accessories
- Sizes--14", 16", 18", 20", 24"
- Mueller valves are designed for potable water applications.

### Options

- Bevel or spur gearing
- 304, 316 Stainless steel fasteners
- Position indicators
- Handwheel
- Epoxy Coating

### Double-disc Tapping Valve parts

| Catalog Part Number | Description                 | Material    | Material Standard |
|---------------------|-----------------------------|-------------|-------------------|
| G-15                | Bonnet gasket               | Composition | ASTMD1170         |
| G-16                | Bonnet bolts & nuts         | Steel       | ANSI B18.2 plated |
| G-17                | Seat ring                   | Bronze      | ASTM B62          |
| G-46                | Disc and disc ring          | Cast iron** | ASTM A126 CL.B    |
| G-20                | Disc pin                    | Bronze      | ASTM B21          |
| G-21                | Side spreader               | Bronze      | ASTM B62          |
| G-22                | Bottom wedge                | Cast iron   | ASTM A126 CL.B    |
| G-78                | Test plug                   | Iron        | -                 |
| G-26                | Nut for wrench nut          | Steel       | ANSI B18.2 plated |
| G-32                | Stuffing box gasket         | Fiber       | -                 |
| G-37                | Top wedge nut               | Cast iron** | ASTM A126 CL.B    |
| G-38                | Wrench nut                  | Cast iron   | ASTM A126 CL.B    |
| G-41                | Stuffing box bolt & nut     | Steel       | ANSI B18.2 plated |
| G-42                | Stem                        | Bronze      | ASTM B138         |
| G-43                | Bonnet                      | Cast iron   | ASTM A126 CL.B    |
| G-45                | Hand Wheel                  | Cast iron   | ASTM A126 CL.B    |
| G-77                | Body                        | Cast iron   | ASTM A126 CL.B    |
| G-48                | Stuffing box O-ring         | Rubber      | ASTM D2000        |
| G-49                | Stem O-ring                 | Rubber      | ASTM D2000        |
| G-50                | Stuffing box                | Cast iron   | ASTM A126 CL.B    |
| G-79                | Inlet flange gasket         | Composition | -                 |
| G-80                | Inlet flange bolts and nuts | Steel       | -                 |



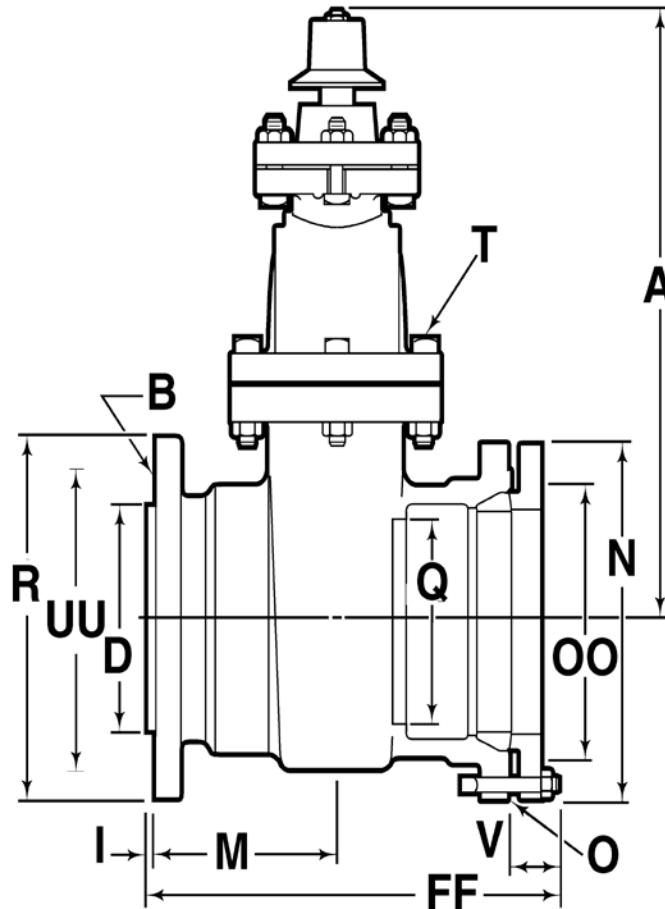
\*\* Cast iron discs with rolled-in bronze facings; cast iron top wedge nut with integrally cast bronze busing.

**DOUBLE-DISC NRS TAPPING VALVE**  
**DIMENSIONS - M.J. X FL. ENDS**



**12.19**

Shaded area indicates change Rev. 5-08



**Dimensions**

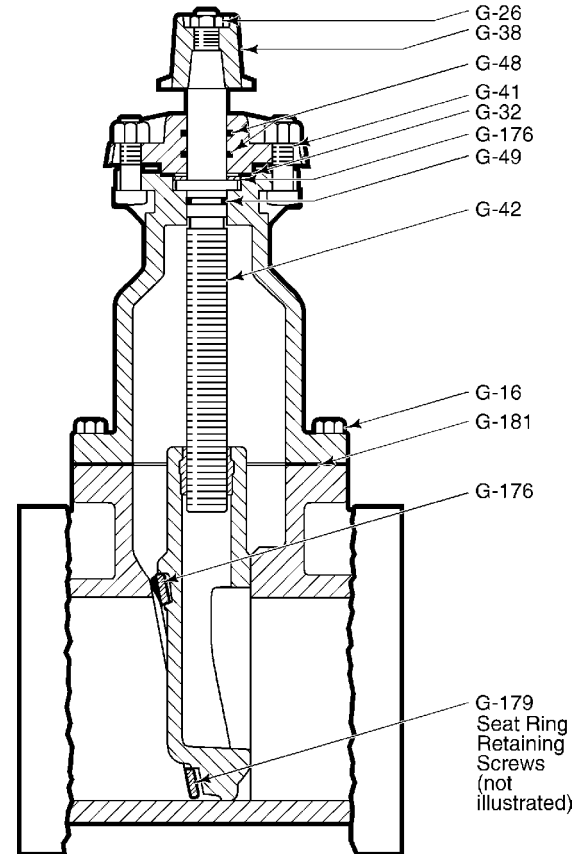
| Dimensions*                         | Nominal Size** |         |           |           |          |
|-------------------------------------|----------------|---------|-----------|-----------|----------|
|                                     | 14"            | 16"     | 18"       | 20"       | 24"      |
| A                                   | 34.13          | 39      | 43        | 47.5      | 55.75    |
| Q (bore)                            | 14.25          | 16.25   | 18.25     | 20.25     | 24.25    |
| R                                   | 21             | 23.5    | 25        | 27.5      | 32       |
| D                                   | 15.25          | 17.25   | 19.47     | 21.47     | 25.47    |
| I                                   | 0.25           | 0.25    | 0.25      | 0.25      | 0.25     |
| M                                   | 7.50           | 10.38   | 11        | 11.13     | 12.75    |
| FF                                  | 17.89          | 23.56   | 24.75     | 25.13     | 28.13    |
| V                                   | 2.63           | 3.01    | 3         | 2.47      | 3.47     |
| N                                   | 20.31          | 22.56   | 24.81     | 27.01     | 31.56    |
| T                                   | 18             | 18      | 20        | 20        | 24       |
| B (number and size of bolts for FL) | 12--1          | 16--1   | 16--1.125 | 20--1.125 | 20--1.25 |
| O (number and size of bolts for MJ) | 10--.88        | 12--.75 | 12--.75   | 14--.75   | 16--.75  |
| UU (bolt circle diameter for FL)    | 18.75          | 21.25   | 22.75     | 25.00     | 29.50    |
| OO (bolt circle diameter for MJ)    | 18.75          | 21.00   | 23.25     | 25.50     | 30.00    |
| Turns to open                       | 46             | 53      | 59        | 65        | 77       |
| Weight*                             | 826            | 1144    | 1653      | 2300      | 3190     |

\* All dimensions are in inches. All weights include accessories are in pounds and approximate.  
 \*\* Nominal.

Rev. 4-14 Shaded area indicates changes

- Complete valves of this type are no longer available, only replacement parts are available.
- Catalog number--  
**H-687** mechanical joint x flanged end
- Sizes-- 4", 6", 8", 10", 12"

| Catalog Part Number | Description               | Material        | Material Standard |
|---------------------|---------------------------|-----------------|-------------------|
| G-16                | Bonnet bolts and nuts     | Steel           | ANSI B18.2 Plated |
| G-26                | Nut for wrench nut        | Steel           | ANSI B18.2 Plated |
| G-32                | Stuffing box gasket       | Fiber           | -                 |
| G-38                | Wrench nut                | Cast Iron       | ASTM A126 CL.B    |
| G-41                | Stuffing box bolt and nut | Steel           | ANSI B18.2 Plated |
| G-42                | Stem                      | Bronze          | ASTM B138         |
| G-45                | Handwheel                 | Cast Iron       | ASTM A126 CL.B    |
| G-48                | Stuffing box o-ring       | Rubber          | ASTM D2000        |
| G-49                | Stem o-ring               | Rubber          | ASTM D2000        |
| G-176               | Anti-friction washer      | Acetal          | -                 |
| G-178               | Seat ring                 | Rubber          | ASTM D2000        |
| G-179               | Retaining screw           | Stainless Steel | -                 |
| G-181               | Bonnet gasket             | Composition     | ASTM D1170        |



## To order Tapping Valves specify:

### Quantity

If more than one size, specify quantity of each

### Size

Nominal size of valve

### Catalog number

### Direction of opening

Specify open left (counter-clockwise) or open right (clockwise). Wrench nuts on valves that open to the right are painted red for identification purposes.

### Method of operation

Non-rising valves are available with either a 2" square wrench nut or a handwheel. Handwheels are standard on flanged x flanged valves; all other NRS valves have a 2" square wrench nut as standard (24" also has bevel gearing). When ordering NRS valves, specify wrench nut or handwheel.

### Special requirements

Contact MUELLER Customer Service Center with special requirements such as special paints or coatings, low zinc bronze stems, stainless steel fasteners etc.

### Tapping Valve Repair Parts

To order repair parts specify size of valve, direction of opening, year date on body, catalog part number, catalog number of valve if known, and type of ends if ordering body.

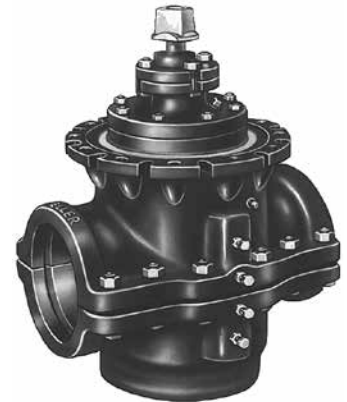
---

Rev. 4-14 Shaded area indicates changes

### Discontinued Item

Please contact your Mueller Customer Service Representative for equipment and parts availability.

- Catalog number--  
**H-800** inserting valve
- Sizes--4", 6", and 8"



**H-800**

### Inserting Valve basic equipment

- Catalog number--  
**H-811**--Basic equipment used with MUELLER CL-12 Drilling Machine
- H-810**--Basic equipment used with MUELLER CC-25 Drilling Machine

### Discontinued Item

Please contact your Mueller Customer Service Representative for equipment and parts availability.

### Basic equipment and weights

| Catalog Number | Weight  |
|----------------|---------|
| H-811          | 700lbs. |
| H-810          | 700lbs. |

| Part                      | Part Number s |              |
|---------------------------|---------------|--------------|
|                           | H-811         | H-810        |
| Short adapter             | 80594         | 80594        |
| Long adapter              | 80592         | 80592        |
| Slide valve               | 83542         | 83542        |
| Flange gasket             | 79740         | 79740        |
| Flange washers            | 92576         | 92576        |
| Flange bolts and nuts     | 36446         | 36446        |
| Double end wrench (small) | 96536         | 96536        |
| Double end wrench (large) | 58196         | 58196        |
| Socket wrench (small)     | 33124         | 33124        |
| Socket wrench (large)     | 33125         | 33125        |
| Ratchet wrench            | 40233         | 40233        |
| Ratchet brace             | 51963         | 51963        |
| Hex wrench (short)        | 40327         | 40327        |
| Hex wrench (long)         | 33113         | 33113        |
| Boring bar socket         | 83780         | 80601        |
| Guide supports            | 40280         | 40280        |
| Grease                    | 90968         | 90968        |
| Pressure release valve    | 3/4" H-11055  | 3/4" H-11055 |



**Short adapter**



**Ratchet wrench**



**Slide valve**



**Double end wrenches**



**Grease**



**Ratchet brace**



**Long adapter**



**Socket wrenches**



**Long hexagon wrench**



**Guide support**



**Flange bolt**



**Short hexagon wrench**



**Flange gasket**



**Flange washer**



**Pressure release valve**



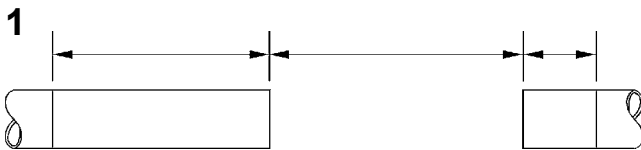


- Catalog numbers--
  - H-840** cut-in sleeve with duck-tipped gasket\*
  - H-842** cut-in sleeve with duck-tipped gasket\* and bonding set screws in gland
  - H-841** cut-in sleeve with plain rubber gasket\*
  - H-843** cut-in sleeve with plain rubber gasket\* and bonding set screws in gland
- Sizes--4",6",8",10", and 12"
- Cast iron construction
- Spigot end corresponds to class 150 ductile iron pipe
- Sleeves are marked with dimensional information to show how much of existing main must be removed for installation of sleeve and valve
- 200 psig (1375 kPa/14 barg) maximum working pressure

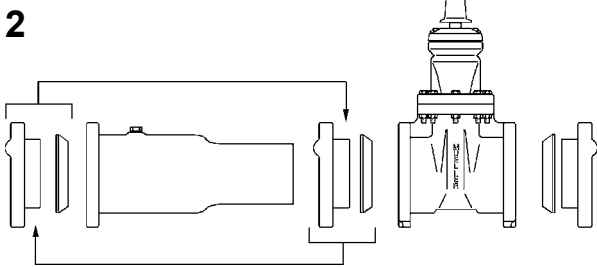
† See page 12.26 for extra gaskets and classes of pipe that cut-in valve will fit.



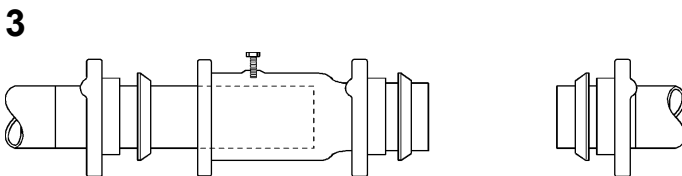
## Fast, simple installation



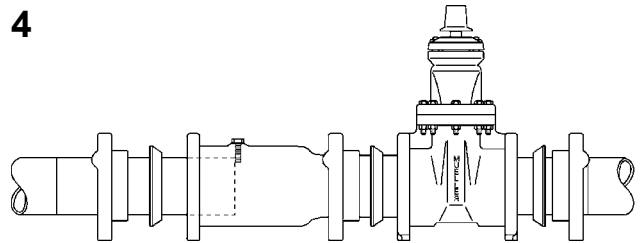
Clean pipe. With water pressure shut off, cut out the appropriate length of main.



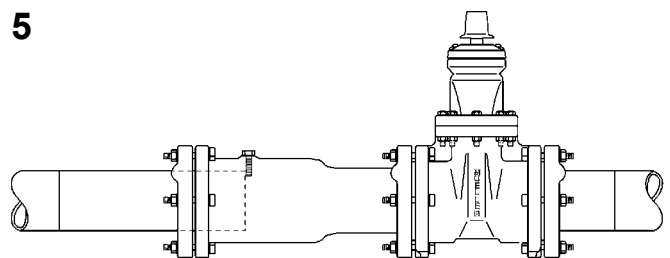
Disassemble the gland and gasket from the sleeve and interchange with the gland and gasket from one end of the cut-in valve.



Back the stop screw out until flush with the inside of the sleeve, and slide the sleeve over the end of pipe. Make sure end of pipe isn't hitting the stop screw.



Position cut-in valve on end of main. Slide sleeve spigot end into end of valve. Tighten stop screw so it clears end of pipe.



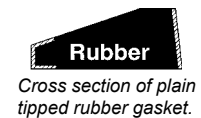
Position gaskets and glands. Install all tee-head pipe gland bolts and tighten. Open the cut-in valve and turn on water pressure in main.

Rev. 7-16 Shaded area indicates changes

- Catalog number--
  - C-2362-44** D-150 mechanical joint ends with accessories and duck tipped rubber gaskets†
  - C-2362-45** D-150 mechanical joint ends with accessories and plain tipped rubber gaskets†
  - C-2362-54** D-150 mechanical joint ends with accessories and duck tipped rubber gaskets† and bonding set screws in gland
  - C-2362-55** D-150 mechanical joint ends with accessories and plain tipped rubber gaskets† and bonding set screws in gland
- Sizes-- 4", 6", 8"
- Meets or exceeds all applicable requirements of ANSI/AWWA C509 Standard and is certified to ANSI/NSF 61
- Iron body with nominal 10 mils MUELLER® Pro-Gard™ Fusion Bonded Epoxy Coated interior and exterior surfaces
- Epoxy coating meets or exceeds all applicable requirements of ANSI/AWWA C550 Standard
- Iron wedge, symmetrical and fully encapsulated with molded rubber; no exposed iron
- Non-rising stem (NRS)
- Triple O-ring seal (2 upper & 1 lower O-ring)
- 2" square wrench nut - open left or open right
- 4" - 8" sizes--250 psig (1725 kPa/17 barg) maximum working pressure, 500 psig (3450 kPa/35 barg) static test pressure
- Mueller valves are designed for potable water applications



**C-2362-44**  
D-150 M.J. accessories  
shipped unassembled



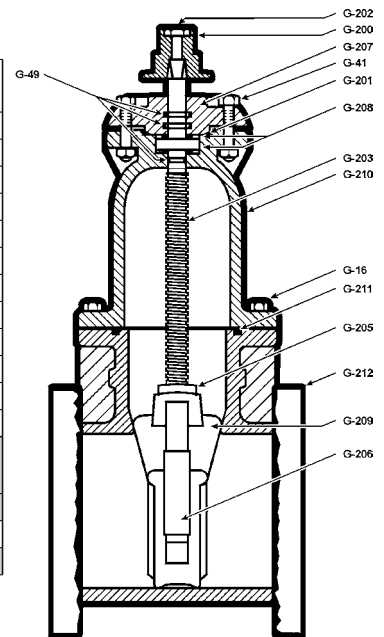
† See page 12.26 for extra gaskets and classes of pipe that cut-in valve will fit.

### Options

- Position indicators
- Stainless steel fasteners: Type 316
- Stainless steel stem: type 304 and type 316
- ASTM B98-C66100/H02 stem
- Handwheel
- EPDM disc and o-rings

### Resilient Wedge Cut-In Valve Parts

| Catalog Part Number | Description                   | Material               | Material Standard                |
|---------------------|-------------------------------|------------------------|----------------------------------|
| G-16                | Bonnet bolts & nuts           | 304 Stainless Steel    | ASTM F593 (bolt) ASTM F594 (nut) |
| G-41                | Stuffing box bolt & nut       | 304 Stainless Steel    | ASTM F593 (bolt) ASTM F594 (nut) |
| G-49                | Stem o-rings (3)              | Nitrile                | ASTM D2000                       |
| G-200               | Wrench nut cap screw          | Stainless Steel        | ASTM F593                        |
| G-201               | Stuffing box seal             | Nitrile                | ASTM D2000                       |
| G-202               | Wrench nut                    | Ductile Iron           | ASTM A536 ▼                      |
| G-203               | Stem                          | Bronze                 | ASTM B138                        |
| G-204               | Handwheel (not shown)         | Cast Iron +            | ASTM A126 CL.B                   |
| G-205               | Stem nut                      | Bronze                 | ASTM B62                         |
| G-206               | Guide cap bearings            | Acetal                 | -                                |
| G-207               | Stuffing box                  | Cast Iron+             | ASTM A126 CL.B                   |
| G-208               | Anti-friction washer (2)      | Acetal                 | -                                |
| G-209               | Wedge,<br>Rubber encapsulated | Ductile Iron**+<br>SBR | ASTM A536 ▼<br>ASTM D2000        |
| G-210***            | Bonnet                        | Ductile Iron           | ASTM A536 ▼                      |
| G-211***            | Bonnet gasket                 | Nitrile                | ASTM D2000                       |
| G-212***            | Body                          | Ductile Iron           | ASTM A536 ▼                      |

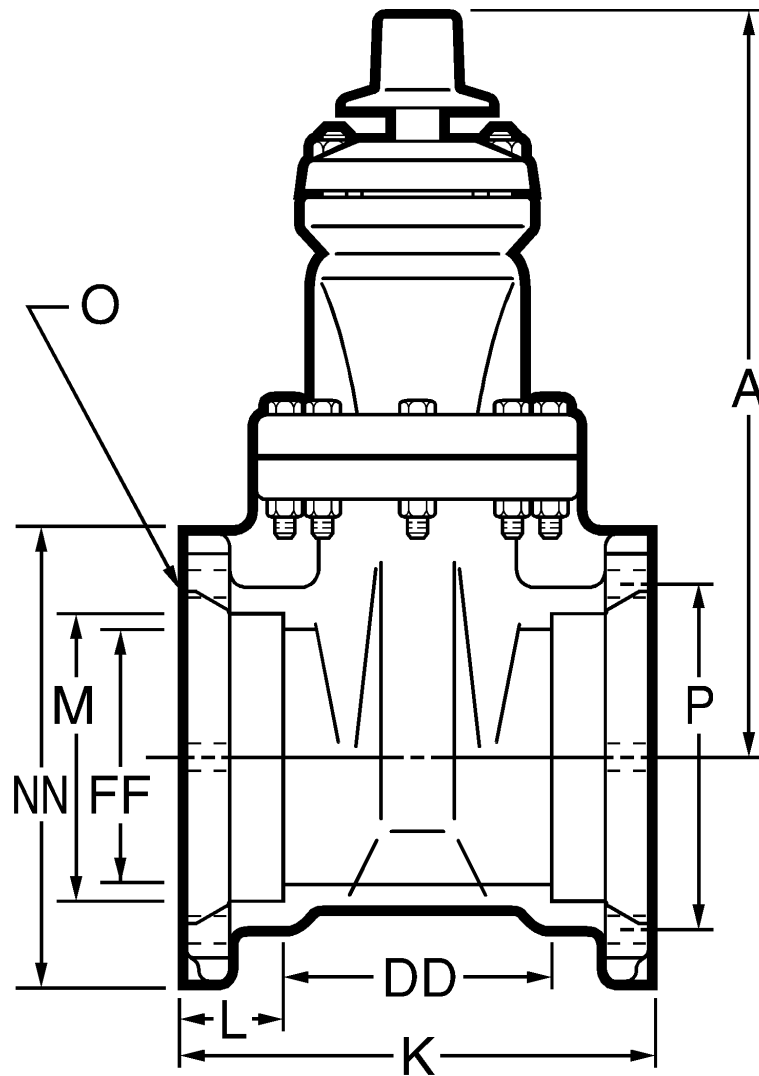


\* Fully encapsulated in molded rubber with no iron exposed

\*\* Previous to 1999 these parts on 4"-8" valves were designed with a gasket instead of an O-ring and with additional bolts. Confirm the type of seal when ordering a replacement gasket or O-ring.

+ Manufacturers option to change material to Ductile Iron ASTM A536

▼ Material strength ASTM A536 65-45 minimum



**Dimensions**

| Dimensions*   | Nominal Size |        |        |
|---------------|--------------|--------|--------|
|               | 4"           | 6"     | 8"     |
| A             | 14.19        | 18.0   | 21.50  |
| K             | 10.00        | 11.50  | 12.50  |
| L             | 2.50         | 2.50   | 2.50   |
| M             | 5.17         | 7.27   | 9.47   |
| O             | 4--.88       | 6--.88 | 6--.88 |
| P             | 7.75         | 9.75   | 12.125 |
| DD            | 5.00         | 6.50   | 7.50   |
| FF            | 4.30         | 6.30   | 8.30   |
| NN            | 9.44         | 11.44  | 13.81  |
| Turns to open | 14           | 20.5   | 26.5   |
| Weight*       | 120          | 186    | 280    |

\* All dimensions are in inches. All weights include accessories are in pounds and approximate.

Rev. 5-08 Shaded area indicates changes

### Extra gaskets for Mueller Cut-in Valves

Mueller Cut-in Valves are furnished with one of two types of gaskets, either duck-tipped or plain rubber. The type of gaskets furnished is determined by the valve catalog number selected.

Each type of gasket is for a specific type and class of pipe. In general for a given nominal size of pipe, duck-tipped gaskets are used with pipe having the smaller outside diameter, while plain rubber gaskets are used with pipe having the larger outside diameter.

For all Mueller Cut-in Valves of a given nominal size, the body and end glands are the same regardless of the type of gaskets furnished. Therefore, one valve with two sets of gaskets (one set each of duck-tipped and plain rubber) will fit all classes of pipe listed below. If there is any question as to the type of pipe involved when using a cut-in sleeve and cut-in valve, **we recommend ordering and stocking cut-in valves with duck-tipped gaskets and separate plain rubber gaskets for each valve.**

### Duck-tipped gaskets for Mueller<sup>®</sup> Cut-in Sleeves and Valves

**Duck-tipped gaskets must be used with the following pipe:**

Centrifugally cast pipe, classes 50-250  
ANSI A21.6 AWWA C106  
ANSI A21.8 AWWA C108

Pit cast pipe, classes 50-250  
ANSI A21.8 AWWA C102

Ductile iron pipe, classes 50-56  
ASNI A21.51 AWWA C151

Cast iron pipe, AWWA Specification, class A and 8", 10" and 12" class B

Cast iron, old AGA Standard

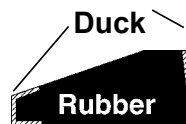
Federal Specifications WW-P-421, classes 150 and 250

Cast iron O.D. PVC pipe, class 200 AWWA C900

### Duck-tipped gaskets

| Gasket Part Number | Pipe size* | Approximate pipe O.D. | Approximate pipe circumference |
|--------------------|------------|-----------------------|--------------------------------|
| 194732             | 4"         | 4.80"                 | 15-1/4"                        |
| 194733             | 6"         | 6.90"                 | 21-3/4"                        |
| 194734             | 8"         | 9.05"                 | 28-1/2"                        |
| 194735             | 10"        | 11.10"                | 35"                            |
| 194736             | 12"        | 13.20"                | 41-5/8"                        |

\*Nominal



Cross section of duck-tipped rubber

### Plain rubber gaskets for Mueller<sup>®</sup> Cut-in Sleeves and Valves

**Plain rubber gaskets must be used with the following pipe:**

Cast iron, AWWA Specifications, class C and D, and 4" and 6" class B

### Plain rubber gaskets

| Gasket Part Number | Pipe size* | Approximate pipe O.D. | Approximate pipe circumference |
|--------------------|------------|-----------------------|--------------------------------|
| 194738             | 4"         | 5.00"                 | 15-7/8"                        |
| 194739             | 6"         | 7.10"                 | 22-1/2"                        |
| 194740             | 8"         | 9.30"                 | 29-3/8"                        |
| 194741             | 10"        | 11.40"                | 36"                            |
| 194742             | 12"        | 13.50"                | 42-5/8"                        |

\*Nominal



Cross section of plain tipped rubber