

Rev. 8-16 Shaded area indicates changes

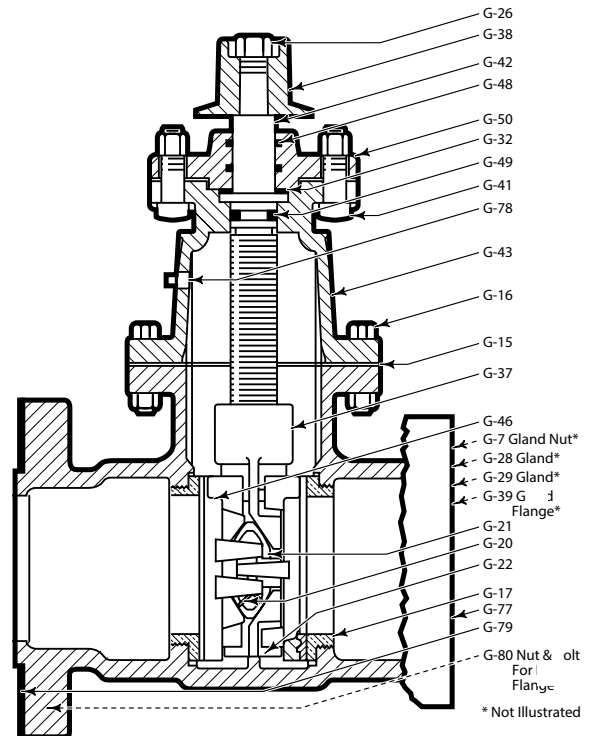
- Meets or exceeds all applicable requirements of ANSI/AWWA C500 Standard,
- Certified to ANSI/NSF 61.
- Catalog number--
T-2380 flanged x mechanical joint with M.J. accessories
- Sizes--14", 16", 18", 20", 24"
- Mueller valves are designed for potable water applications.

Options

- Bevel or spur gearing
- 304, 316 Stainless steel fasteners
- Position indicators
- Handwheel
- Epoxy Coating

Double-disc Tapping Valve parts

Catalog Part Number	Description	Material	Material Standard
G-15	Bonnet gasket	Composition	ASTMD1170
G-16	Bonnet bolts & nuts	Steel	ANSI B18.2 plated
G-17	Seat ring	Bronze	ASTM B62
G-46	Disc and disc ring	Cast iron**	ASTM A126 CL.B
G-20	Disc pin	Bronze	ASTM B21
G-21	Side spreader	Bronze	ASTM B62
G-22	Bottom wedge	Cast iron	ASTM A126 CL.B
G-78	Test plug	Iron	-
G-26	Nut for wrench nut	Steel	ANSI B18.2 plated
G-32	Stuffing box gasket	Fiber	-
G-37	Top wedge nut	Cast iron**	ASTM A126 CL.B
G-38	Wrench nut	Cast iron	ASTM A126 CL.B
G-41	Stuffing box bolt & nut	Steel	ANSI B18.2 plated
G-42	Stem	Bronze	ASTM B138
G-43	Bonnet	Cast iron	ASTM A126 CL.B
G-45	Hand Wheel	Cast iron	ASTM A126 CL.B
G-77	Body	Cast iron	ASTM A126 CL.B
G-48	Stuffing box O-ring	Rubber	ASTM D2000
G-49	Stem O-ring	Rubber	ASTM D2000
G-50	Stuffing box	Cast iron	ASTM A126 CL.B
G-79	Inlet flange gasket	Composition	-
G-80	Inlet flange bolts and nuts	Steel	-



** Cast iron discs with rolled-in bronze facings; cast iron top wedge nut with integrally cast bronze busing.