

Rev. 7-16 Shaded area indicates changes

- Catalog number--
T-2360-16 mechanical joint x flanged ends (with mechanical joint unassembled accessories)
T-2360-19 mechanical joint x flanged ends (less mechanical joint accessories)
- Sizes - 2", 3"
- Meets or exceeds all applicable requirements of ANSI/AWWA C509 Standard, UL 262 Listed, FM 1120/1130 Approved, and certified to ANSI/NSF 61
- Flanged end drilling complies with ASME/ANSI B16.1 Class 125 and with MSS SP-60
- Mechanical joint outlet complies with ANSI/AWWA C111 Standard
- Iron body with nominal 10 mils Pro-Gard™ Fusion Bonded Epoxy Coated interior and exterior surfaces
- Epoxy coating meets or exceeds all applicable requirements of ANSI/AWWA C550 Standard
- Iron wedge, symmetrical and fully encapsulated with molded rubber; no exposed iron
- Non-rising stem (NRS)
- Triple O-ring seal (2 above the thrust collar and 1 below)
- 2" square wrench nut - open left or open right
- 250 psig (1725 kPa/17 barg) maximum working pressure, 500 psig (3450 kPa/35 barg) static test pressure
- 3" UL Listed, FM Approved: 200 psig (1375 kPa/14 barg) maximum working pressure
- Designed for potable water applications



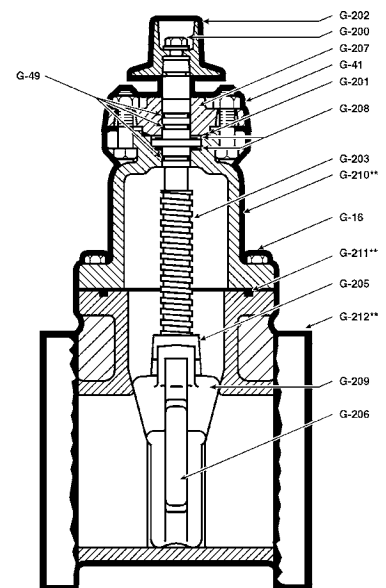
T-2360-16
M.J. accessories shipped unassembled

Options

- Position indicators Stainless steel fasteners: Type 316 Stainless steel stem: type 304 and type 316
- ASTM B98-C66100/H02 stem Handwheel EPDM disc and o-rings

Resilient wedge gate valve parts

Catalog Part Number	Description	Material	Material standard
G-16	Bonnet bolts and nuts	304 Stainless steel	ASTM F593 (bolt) ASTM F594 (nut)
G-41	Stuffing box bolts and nuts	304 Stainless steel	ASTM F593 (bolt) ASTM F594 (nut)
G-49	Stem o-rings (3)	Nitrile	ASTM D2000
G-79	Inlet flange gasket	Nitrile	ASTM D2000
G-80	Inlet flange bolts and nuts	Steel	ASTM D242
G-200	Wrench nut cap screw	Stainless steel	ASTM F593
G-201	Stuffing box seal	Nitrile	ASTM D2000
G-202	Wrench nut	Cast Iron+++	ASTM A126 CL.B
G-203	Stem	Bronze	ASTM B138
G-204	Handwheel (not shown)	Cast Iron	ASTM A126 CL.B
G-205	Stem nut	Bronze	ASTM B62
G-206	Guide cap bearings	Acetal	-
G-207	Stuffing box	Cast Iron+++	ASTM A126 CL.B
G-208	Anti-friction washer (2)	Acetal	-
G-209	Wedge Rubber encapsulated	Cast Iron**** SBR	ASTM A126 CL.B ASTM D2000
G-210**	Bonnet	Cast Iron+++	ASTM A126 CL.B
G-211**	Bonnet gasket	Neoprene	ASTM D2000
G-212**	Body	Cast Iron+++	ASTM A126 CL.B



* Fully encapsulated in molded rubber with no iron exposed
 +++ Manufacturers option to change material to Ductile Iron ASTM A536