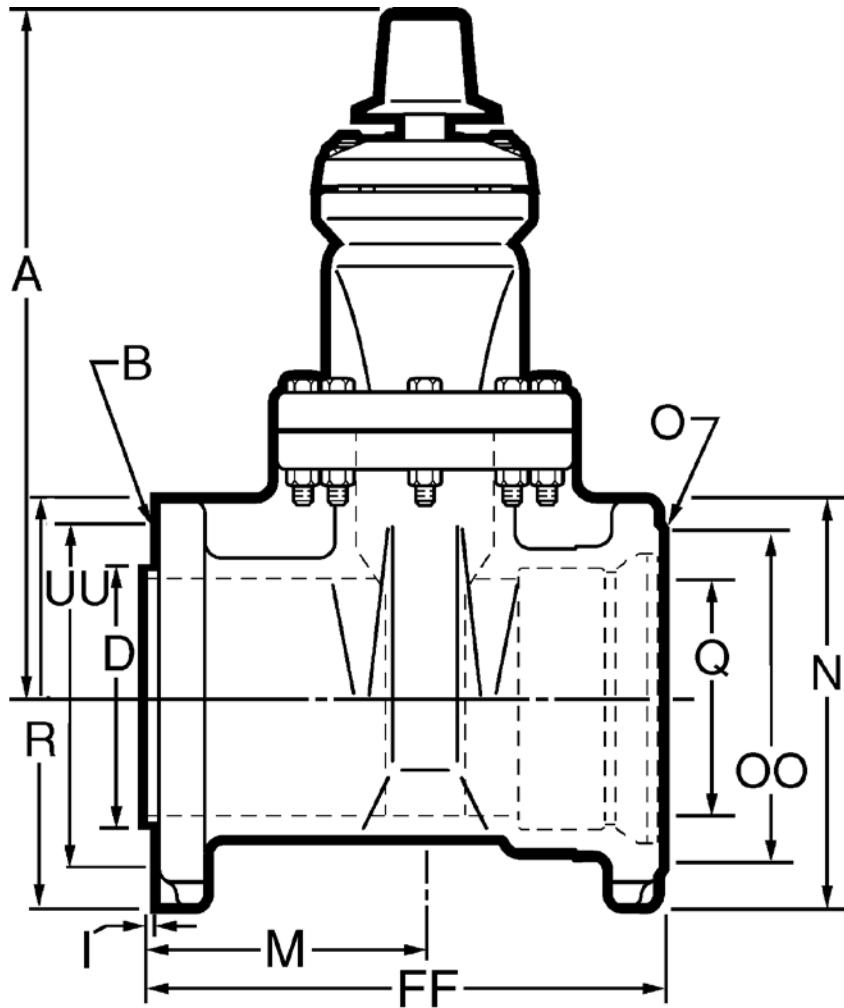


**2"-3" MUELLER® T-2360 RESILIENT WEDGE
GATE TAPPING VALVE - M.J. X FL. ENDS**



12.13

Shaded area indicates change Rev. 5-08



Dimensions

Dimensions*	Nominal Size	
	2"	3"
A	9.88	12.38
R	6.00	7.50
D	2.97	3.97
I	0.16	0.18
M	4.46	4.73
UU (bolt circle diameter)	4.75	6.00
N	6.25	7.50
B (number and size of holes for FL)	4--.75	4--.75
Q (bore)	2.30	3.30
FF	8.55	8.99
O (number and size of holes for MJ)	4--.75	4--.75
OO (bolt circle diameter)	4.75	6.19
Turns to open	8	11
Weight*	44	66

* All dimensions are in inches. All weights include accessories are in pounds and approximate.