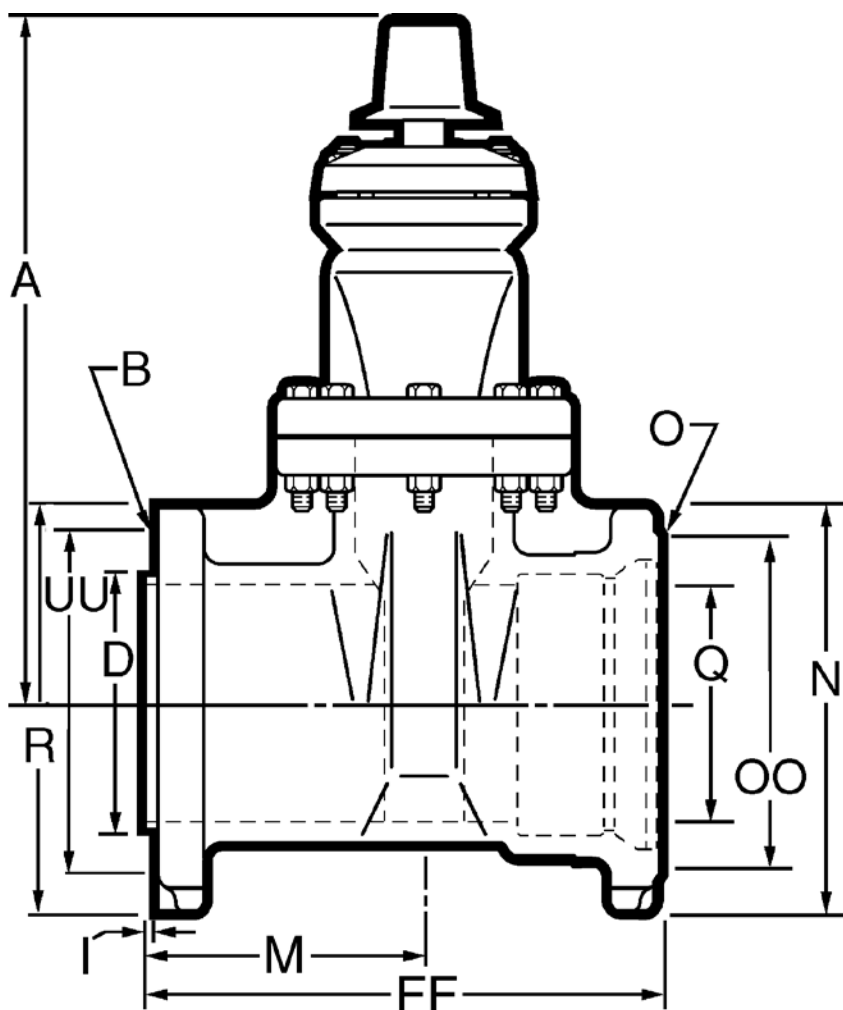


**4"-12" MUELLER® T-2361 RESILIENT WEDGE
GATE TAPPING VALVE - M.J. X FL. ENDS**



12.15

Shaded area indicates change Rev. 7-16



Dimensions

Dimensions*	Nominal Size				
	4"	6"	8"	10"	12"
A	14.19	18.0	21.50	25.50	28.62
R	9.00	11.00	13.50	16.00	19.00
D	5.00	7.00	9.00	11.00	13.00
I	0.18	0.25	0.25	0.25	0.25
M	6.24	6.75	7.75	8.52	7.25
UU (bolt circle diameter)	7.50	9.50	11.75	14.25	17.00
N	9.12	11.12	13.38	15.68	17.94
B (number and size of holes for FL)	8--.75	8--.88	8--.88	12--1.00	12--1.00
Q (bore)	4.30	6.30	8.30	10.30	12.30
FF	11.91	13.00	14.62	15.95	15.24
O (number and size of holes for MJ)	4--.88	6--.88	6--.88	8--.88	8--.88
OO (bolt circle diameter)	7.50	9.50	11.75	14.00	16.25
Turns to open	14	20.5	26.5	33	38.5
Weight*	113	151	241	369	488

* All dimensions are in inches. All weights include accessories are in pounds and approximate.