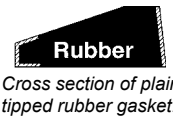


Rev. 7-16 Shaded area indicates changes

- Catalog number--
  - C-2362-44** D-150 mechanical joint ends with accessories and duck tipped rubber gaskets†
  - C-2362-45** D-150 mechanical joint ends with accessories and plain tipped rubber gaskets†
  - C-2362-54** D-150 mechanical joint ends with accessories and duck tipped rubber gaskets† and bonding set screws in gland
  - C-2362-55** D-150 mechanical joint ends with accessories and plain tipped rubber gaskets† and bonding set screws in gland
- Sizes-- 4", 6", 8"
- Meets or exceeds all applicable requirements of ANSI/AWWA C509 Standard and is certified to ANSI/NSF 61
- Iron body with nominal 10 mils MUELLER® Pro-Gard™ Fusion Bonded Epoxy Coated interior and exterior surfaces
- Epoxy coating meets or exceeds all applicable requirements of ANSI/AWWA C550 Standard
- Iron wedge, symmetrical and fully encapsulated with molded rubber; no exposed iron
- Non-rising stem (NRS)
- Triple O-ring seal (2 upper & 1 lower O-ring)
- 2" square wrench nut - open left or open right
- 4" - 8" sizes--250 psig (1725 kPa/17 barg) maximum working pressure, 500 psig (3450 kPa/35 barg) static test pressure
- Mueller valves are designed for potable water applications



**C-2362-44**  
D-150 M.J. accessories  
shipped unassembled



**Rubber**  
Cross section of plain  
tipped rubber gasket.



**Rubber**  
Cross section of plain  
tipped rubber gasket.

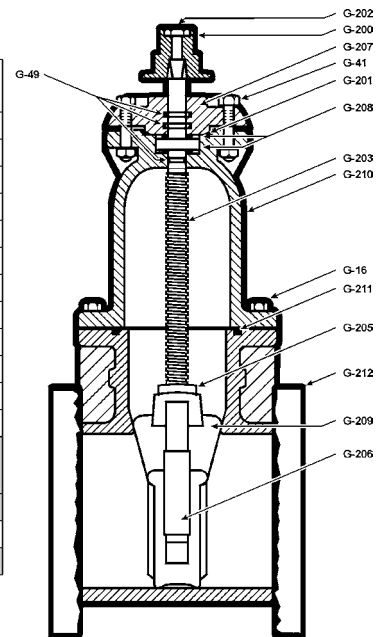
† See page 12.26 for extra gaskets and classes of pipe that cut-in valve will fit.

### Options

- Position indicators
- Stainless steel fasteners: Type 316
- Stainless steel stem: type 304 and type 316
- ASTM B98-C66100/H02 stem
- Handwheel
- EPDM disc and o-rings

### Resilient Wedge Cut-In Valve Parts

Catalog Part Number	Description	Material	Material Standard
G-16	Bonnet bolts & nuts	304 Stainless Steel	ASTM F593 (bolt) ASTM F594 (nut)
G-41	Stuffing box bolt & nut	304 Stainless Steel	ASTM F593 (bolt) ASTM F594 (nut)
G-49	Stem o-rings (3)	Nitrile	ASTM D2000
G-200	Wrench nut cap screw	Stainless Steel	ASTM F593
G-201	Stuffing box seal	Nitrile	ASTM D2000
G-202	Wrench nut	Ductile Iron	ASTM A536 ▼
G-203	Stem	Bronze	ASTM B138
G-204	Handwheel (not shown)	Cast Iron +	ASTM A126 CL.B
G-205	Stem nut	Bronze	ASTM B62
G-206	Guide cap bearings	Acetal	-
G-207	Stuffing box	Cast Iron+	ASTM A126 CL.B
G-208	Anti-friction washer (2)	Acetal	-
G-209	Wedge, Rubber encapsulated	Ductile Iron**+ SBR	ASTM A536 ▼ ASTM D2000
G-210***	Bonnet	Ductile Iron	ASTM A536 ▼
G-211***	Bonnet gasket	Nitrile	ASTM D2000
G-212***	Body	Ductile Iron	ASTM A536 ▼



\* Fully encapsulated in molded rubber with no iron exposed

\*\* Previous to 1999 these parts on 4"-8" valves were designed with a gasket instead of an O-ring and with additional bolts. Confirm the type of seal when ordering a replacement gasket or O-ring.

+ Manufacturers option to change material to Ductile Iron ASTM A536

▼ Material strength ASTM A536 65-45 minimum