

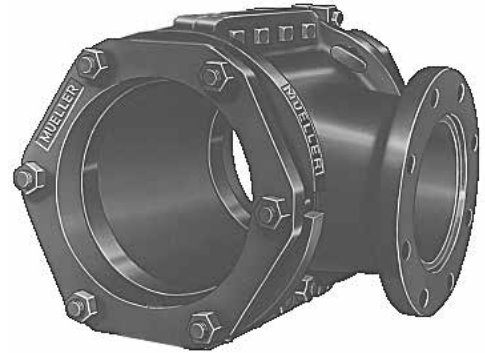
MECHANICAL JOINT TAPPING SLEEVE FOR PITCAST C.I. PIPE



12.3

Shaded area indicates change Rev. 7-16

- Catalog number--
H-616 Mechanical Joint Tapping Sleeve - plain rubber end gaskets
- Sizes-- 10"-24" main and 4"-24" outlet (see chart below for available size combinations)
- Outlet flange dimensions and drilling comply with ASME/ANSI B16.1 Class 125 and with MSS SP-60
- Ductile Iron body with 3/4" NPT test plug
- 10"-12" sizes--200 psig (1375 kPa/14 barg) maximum working pressure
- 14"-24" sizes--200 psig (1375 kPa/14 barg) maximum working pressure



H-616

Tapping Sleeve pipe information

Nominal size of main	O.D. Range of sleeve		Class and type of pipe	End Gasket Part Numbers
	in.	mm		
10"	11.43"-11.46"	288.1-291.0	Cast iron classes C & D	194681
12"	13.44"-13.56"	341.5-344.3		194642
14"	15.59"-15.71"	396.1-398.9		195131
16"	17.74"-17.86"	450.7-453.5		195132
18"	19.84"-20.00"	504.1-507.9		195268
20"	21.98"-22.14"	558.4-562.3		195133
24"	26.24"-26.40"	666.6-670.5		195134

Sizes available

Nominal size of main	Outlet size									
	4"	6"	8"	10"	12"	14"	16"	18"	20"	24"
10"	X	X	X	X	-	-	-	-	-	-
12"	X	X	X	X	X	-	-	-	-	-
14"	X	X	X	X	X	X	-	-	-	-
16"	X	X	X	X	X	X	X	-	-	-
18"	X	X	X	X	X	-	X	X	-	-
20"	X	X	X	X	X	X	X	X	X	-
24"	X	X	X	X	X	X	X	-	X	X