

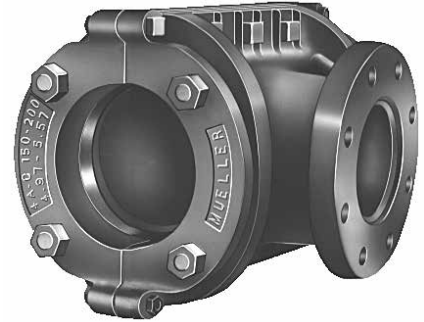
# 12.4



## MECHANICAL JOINT TAPPING SLEEVE FOR A-C PIPE

Rev. 7-16 Shaded area indicates changes

- Catalog number--  
**H-619** Mechanical Joint Tapping Sleeve
- 4"-12" main and outlet (see chart below for available size combinations)
- Specially designed for use on A-C pipe
- Outlet flange dimensions and drilling comply with ANSI ASME/ANSI B16.1 Class 125 and MSS SP-60
- Ductile Iron body with 3/4" NPT test plug
- 4"-12" sizes--200 psig (1375 kPa/14 barg) maximum working pressure



**H-619**

### Tapping Sleeve pipe information

Nominal size of main	O.D. Range of sleeve		Class and type of pipe	End Gasket part number
	Inch	mm		
4"	4.97"-5.57"	126.3-141.4	A-C classes 150 & 200	195656
6"	7.05"-7.60"	179.2-192.9	A-C classes 100, 150 & 200	195657
8"	9.22"-9.79"	234.3-248.6	A-C classes 100, 150 & 200	195658
10"	11.77"-12.25"	299.1-311.1	A-C classes 150 & 200	194307
12"	14.03"-14.51"	356.5-368.5	A-C classes 150 & 200	194289

### Sizes available

Nominal size of main	Outlet size				
	4"	6"	8"	10"	12"
4"	X	-	-	-	-
6"	X	X	-	-	-
8"	X	X	X	-	-
10"	X	X	X	X	-
12"	X	X	X	X	X

*NOTE: The actual diameter A-C pipe varies among manufacturers and from piece to piece. It is important to measure the pipe diameter at the point where the sleeve will be installed. The O.D. of A-C pipe can be reduced by following the recommendations of the specific pipe manufacturer.*