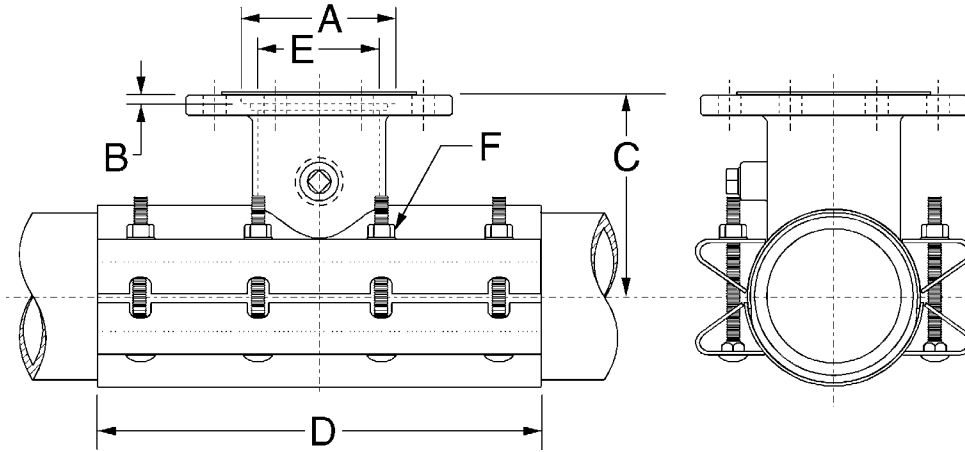


STAINLESS STEEL TAPPING SLEEVE 4" - 24"



12.7

Shaded area indicates change Rev. 4-14



Nominal Size		Dimensions*					Bolts Per Side
		Outlet Flange†		C	Sleeve		
Main	Outlet	A	B			D	E
4"	4"	5.0315	.25	7.00	15	4.50	4
6"	4"	5.0315	.25	7.50	15	4.50	4
6"	6"	7.0315	.31	8.00	15	6.50	4
8"	4"	5.0315	.25	8.50	15	4.50	4
8"	6"	7.0315	.31	9.00	15	6.50	4
8"	8"	9.0315	.31	9.50	18	8.50	6
10"	4"	5.0315	.25	10.00	15	4.50	4
10"	6"	7.0315	.31	10.50	15	6.50	4
10"	8"	9.0315	.31	11.00	18	8.50	6
10"	10"	11.0315	.31	11.50	24	10.50	8
12"	4"	5.0315	.25	12.00	15	4.50	4
12"	6"	7.0315	.31	12.00	15	6.50	4
12"	8"	9.0315	.31	12.00	18	8.50	6
12"	10"	11.0315	.31	12.00	24	10.50	8
12"	12"	13.0315	.31	12.00	30	12.50	8
14"	4"	5.0315	.25	13.63	15	4.50	4
14"	6"	7.0315	.31	13.63	15	6.50	4
14"	8"	9.0315	.31	13.63	18	8.50	6
14"	10"	11.0315	.31	13.63	24	10.50	8
14"	12"	13.0315	.31	13.63	30	12.50	8
16"	4"	5.0315	.25	14.59	15	4.50	4
16"	6"	7.0315	.31	14.59	15	6.50	4
16"	8"	9.0315	.31	14.59	18	8.50	6
16"	10"	11.0315	.31	14.59	24	10.50	8
16"	12"	13.0315	.31	14.59	30	12.50	8
18"	4"	5.0315	.25	16.00	15	4.50	4
18"	6"	7.0315	.31	16.00	15	6.50	4
18"	8"	9.0315	.31	16.00	18	8.50	6
18"	10"	11.0315	.31	16.00	24	10.50	8
18"	12"	13.0315	.31	16.00	30	12.50	8
20"	4"	5.0315	.25	16.88	15	4.50	4
20"	6"	7.0315	.31	16.88	15	6.50	4
20"	8"	9.0315	.31	16.88	18	8.50	6
20"	10"	11.0315	.31	16.88	24	10.50	8
20"	12"	13.0315	.31	16.88	30	12.50	8
24"	4"	5.0315	.25	19.00	24	4.50	8
24"	6"	7.0315	.31	19.00	24	6.50	8
24"	8"	9.0315	.31	19.00	24	8.50	8
24"	10"	11.0315	.31	19.00	24	10.50	8
24"	12"	13.0315	.31	19.00	30	12.50	10

* All dimensions are in inches.

†With MJ option, this flange is replaced by an integral SS outlet pipe extension and MJ gland welded permanently in place allowing the sleeve to bolt directly to the outlet of any standard MJ valve. Dimensions for MJ option are compatible with standard connections, and A and B dimensions in chart do not apply.