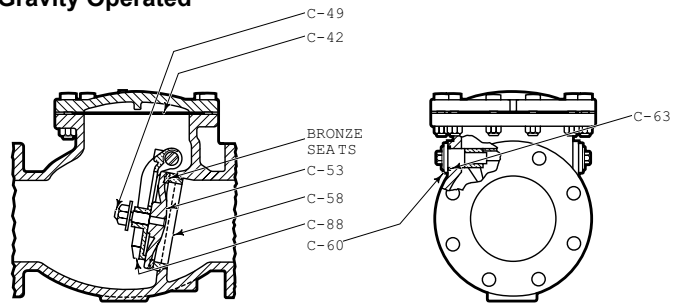


Rev. 2-11



*Gravity Operated Shown

Gravity Operated



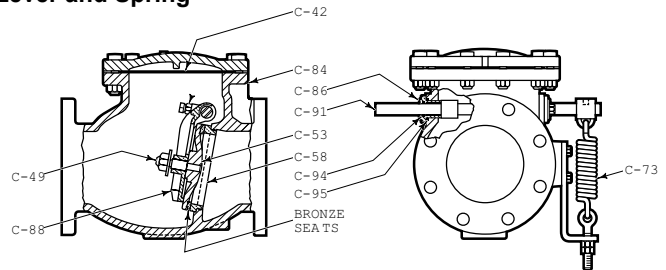
Valve body and clapper
2-1/2"-12"
Metal faced disc shown

Hinge pin and stuffing box†
2-1/2", 3"

Check Valve Parts (1959-2010)

Catalog Part Number	Description	Material	Material Standard
C-42	Cover Gasket	Cloth inserted Rubber	ASTM D2000
C-58	Seat Ring	Bronze	ASTM B584
C-60 2-1/2"-3"	Hinge Plug and Pin (1 pc.)	Bronze	ASTM B138
C-63	Body O-ring	Rubber	ASTM D2000
C-73	Spring	Steel	
C-86 2-1/2"-3"	Stuffing Box	Bronze	ASTM B126
C-88	Clapper Arm	Bronze	ASTM B584
C-91	Hinge Pin	Stainless Steel	ASTM A276
C-94	Hinge Pin O-ring	Rubber	ASTM D2000
C-95	Body O-ring	Rubber	ASTM D2000
C-101	Hinge Pin	Stainless Steel	ASTM A276 Type 303
C-102	Hinge Pin O-ring (small)	Rubber	ASTM D2000
C-103	Hinge Pin O-ring (large)	Rubber	ASTM D2000
C-104	Snap Ring	Stainless Steel	
C-105	Stuffing Box O-ring	Rubber	ASTM D2000
C-106	Stuffing Box	Bronze	ASTM B138
Metal Faced Disc Parts			
C-48	Stud Nut	Bronze	ASTM B62
C-49	Disc Stud	Bronze	ASTM B21
C-53	Disc*	Cast Iron	ASTM A126 CL.B
Rubber Faced Disc Parts			
C-50	Disc Stud	Bronze	ASTM B21
C-54	Disc**	Cast Iron	ASTM A126 CL.B
C-55	Rubber Disc Facing	Rubber	ASTM D2000
C-56	Retainer Washer	Bronze	ASTM B584
C-57	Retainer Nut	Bronze	ASTM B62

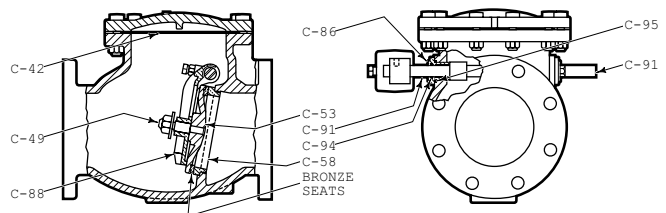
Lever and Spring



Valve body and clapper
2-1/2"-12"
Metal faced disc shown

Spring Lever Assembly
2-1/2"-12"
Hinge pin and stuffing box†
2-1/2", 3"

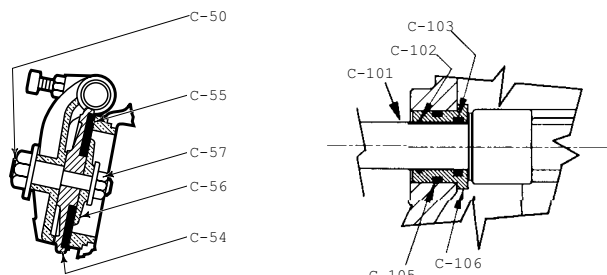
Lever and Weight



Valve body and clapper
2-1/2"-12"
Metal faced disc shown

Lever Assembly
2-1/2"-12"
Hinge pin and stuffing box†
2-1/2", 3"

Gravity, Lever and Weight, Lever and Spring



Rubber faced disc
and clapper
2-1/2"-12"

Hinge pin and stuffing box††
4"-12"