

13.2



2"-12" SWING TYPE GRAVITY OPERATED CHECK VALVES – FL. X FL.

Rev. 4-14 Shaded area indicates change.

- Catalog number---
A-2600-06BB flanged ends, with bronze disc facing
A-2602-06B1 flanged ends, with rubber disc facing
- Sizes – 2", 2-1/2", 3", 4", 6", 8", 10", 12"
- Meets all applicable parts of ANSI/AWWA C508 Standard
- Epoxy coated interior & exterior for corrosion resistance
- Certified to ANSI/NSF 61
- Flanged end dimensions and drilling comply with ANSI B16.1
- Iron body, bronze mounted (IBBM)
- Choice of bronze or rubber disc facing
- For horizontal installation only
- O-ring sealed stuffing box
- Swing type, gravity operated
- 200 psig (1400 kPa/14 barg) maximum working pressure, 400 psig (2800 kPa/28 barg) test pressure



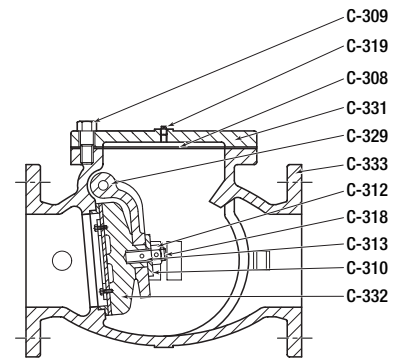
A-2600-06BB

Options

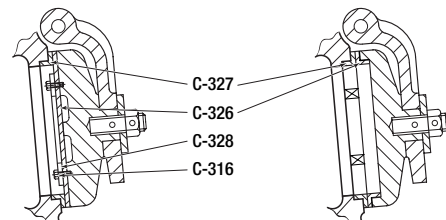
- PN 10/PN 16 Flange Drilling 4"-12"
- Stainless Steel Nuts & Bolts
- Tapped Bosses

Check Valve Parts (2011-present)

Catalog Part No.	Description	Material	Material Standard
C-305	Hinge Plug	Brass	ANSI B21
C-308	Gasket	Rubber	ASTM D2000, BK 807
C-309	Cover Bolt	Zinc Coated Steel	ASTM A307 Grade B
C-310	Washer	Brass	ANSI B21
C-311	Spacer	Brass	ANSI B21
C-312	Disc Nut	Brass	ANSI B21
C-313	Disc Stud	Brass	ANSI B21
C-318	Pin	Stainless Steel	ASTM A276 Type 304
C-319	Test Plug	Malleable Iron	ASTM A47
C-321	Hinge Pin	Stainless Steel	ASTM A276 Type 304
C-327	Body Seat Ring	Bronze	ANSI B62
C-329	Arm	Ductile Iron	ASTM A536 ▼
C-331	Cover	Cast Iron	ASTM A126 Cl. B
C-332	Disc	Cast Iron	ASTM A126 Cl. B
C-333	Body	Cast Iron	ASTM A126 Cl. B
Rubber Faced Disc Parts			
C-316	Disc Seat Bolt	Stainless Steel	ASTM A276 Type 304
C-326	Disc Seat Ring	Rubber	ASTM D2000, BK 807
C-328	Seat Holder	Cast Iron*	ASTM A126 Cl. B
Bronze Faced Disc Parts			
C-326	Disc Seat Ring	Bronze	ANSI B62

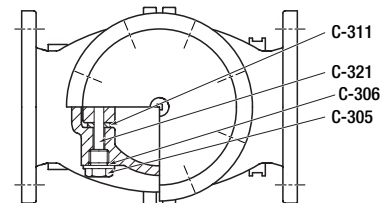


**Valve body and clapper
Rubber faced disc shown**



Rubber faced disc clapper

Bronze faced disc clapper



Hinge pin and stuffing box

*2"- 6" sizes are cast iron, ASTM A126 Cl. B, 8"- 12" sizes are ductile iron ASTM A536

▼ Material strength ASTM A536 65-45-12 minimum