

13.6



8001 SERIES 14"-36" SWING TYPE LEVER AND WEIGHT CHECK VALVE-FL.X FL.

Rev. 4-14 Shaded area indicates change.

Catalog Number -

Flanged ends, with bronze disc facing

- 14" - 1400-8001BBLW
- 16" - 1600-8001BBLW
- 18" - 1800-8001BBLW
- 20" - 2000-8001BBLW
- 24" - 2400-8001BBLW
- 30" - 3000-8001BBLW
- 36" - 1400-8001BBLW

Flanged ends, with rubber disc facing

- 14" - 1400-8001B1LW
- 16" - 1600-8001B1LW
- 18" - 1800-8001B1LW
- 20" - 2000-8001B1LW
- 24" - 2400-8001B1LW
- 30" - 3000-8001B1LW
- 36" - 1400-8001B1LW

- Meets all applicable parts of ANSI/AWWA C508 Standard
- Flanged end dimensions and drilling comply with ANSI B16.1, class 125
- Epoxy coated interior & exterior for corrosion resistance
- Certified to ANSI/NSF 61
- Iron body, bronze mounted (IBBM)
- Choice of bronze or rubber disc facing
- For vertical or horizontal installation
- O-ring sealed stuffing box
- Adjustable weight to control opening and closing of clapper
- 150 psig (1000 kPa/10 barg) maximum working pressure, 300 psig (2100 kPa/21 barg) test pressure



1600-8001BBLW



NOTE: 8001 series Valves on this page cannot be adapted with cylinders. Use 9001 series valve if cylinders might be added after the valves are installed.

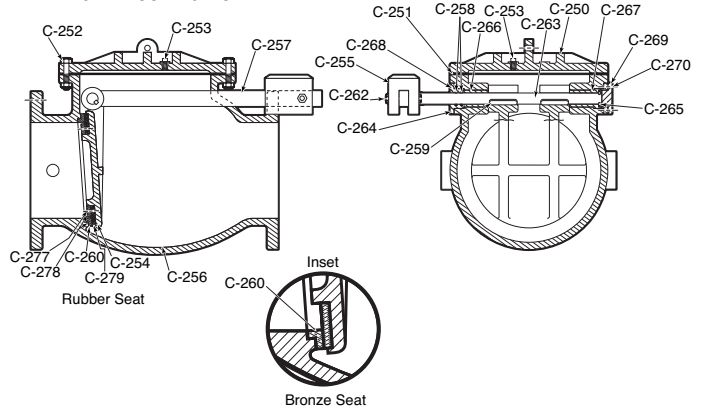
Options

- Spring Kits
- 304 Stainless Steel Nuts & Bolts
- Drain Plug/Flush port
- Braided Teflon Hinge Pin Packing

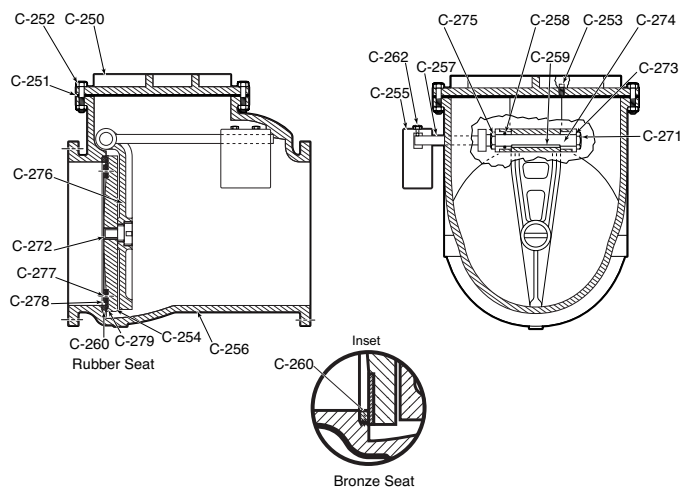
Check Valve Parts

Catalog Part No.	Description	Material	Material Standard
C-250	Cover	Cast Iron	ASTM A126 CL.B
C-251	Cover Gasket	Rubber	ASTM D2000 AA 7008
C-252	Cover Bolt and Nut	Zinc Coated Steel	ASTM A307 Grade B
C-253	Test Plug	Malleable Iron	ASTM A47
C-255	Weight	Cast Iron	ASTM A126 CL.B
C-256	Body	Cast Iron	ASTM A126 CL.B
C-258	O-ring	Rubber	ASTM D2000
C-259	Key	Stainless Steel	ASTM A276 Type 304
C-260	Body Seat Ring	Bronze	ANSI B62
C-262	Weight Bolt	Zinc Coated Steel	ASTM A307 Grade B
14"-16"			
C-254	Disc	Ductile Iron	ASTM A536 ▼
C-257	Weight Arm	Zinc Coated Steel	ASTM A307 Grade B
C-263	Hinge Pin	Stainless Steel	ASTM A276 Type 304
C-264	O-ring	Rubber	ASTM D2000
C-265	Snap Ring	Stainless Steel	ASTM A276 Type 420
C-266	Bushing A	Bronze	ANSI B62
C-267	Bushing B	Bronze	ANSI B62
C-268	End Plate A	Bronze	ANSI B62
C-269	End Plate B	Ductile Iron	ASTM A536 ▼
C-270	End Plate Bolt	Zinc Coated Steel	ASTM A307 Grade B
18"-36"			
C-254	Disc	Cast Iron	ASTM A126 Class B
C-257	Weight Arm	Ductile Iron	ASTM A536 ▼
C-271	Gasket	Rubber	ASTM D2000
C-272	Disc Bolt	Stainless Steel	ASTM A276 Type 304
C-273	Retaining Plug	Bronze	ASTM B21
C-274	Clapper Arm Shaft	Stainless Steel	ASTM A276 Type 304
C-275	Seat Nut	Bronze	ASTM B21
C-276	Arm	Ductile Iron	ASTM A536 ▼
Rubber Faced Disc Parts			
C-277	Seat Holder Bolt	Stainless Steel	ASTM A276 Type 304
C-278	Seat Holder	Ductile Iron	ASTM A536 ▼
C-279	Disc Seat Ring	Rubber	ASTM D2000 AA 7008
Bronze Faced Disc Parts			
C-261	Disc Seat Ring	Bronze	ANSI B62

14"-16" Check Valve



18"-36" Check Valve



▼ Material strength ASTM A536 65-45-12 minimum