

# 13.8



## 2"-12" SWING TYPE LEVER AND SPRING CHECK VALVES WITH FL. X FL.

Rev. 4-14 Shaded area indicates change.

- Catalog number---
  - A-2600-6-02BB** flanged ends, with bronze disc facing
  - A-2602-6-02B1** flanged ends, with rubber disc facing
- Sizes---2", 2-1/2", 3", 4", 6", 8", 10", 12"
- Meets all applicable parts of ANSI/AWWA C508 Standard
- Epoxy coated interior & exterior for corrosion resistance
- Certified to ANSI/NSF 61
- Flanged end dimensions and drilling comply with ANSI B16.1, class 125
- Iron body, bronze mounted (IBBM)
- Choice of bronze or rubber disc facing
- For vertical or horizontal installation
- O-ring sealed stuffing box
- Adjustable spring tension to control opening and closing of clapper, lever and spring can be installed on either side of valve
- 200 psig (1400 kPa/14 barg) maximum working pressure, 400 psig (2800 kPa/28 barg) test pressure



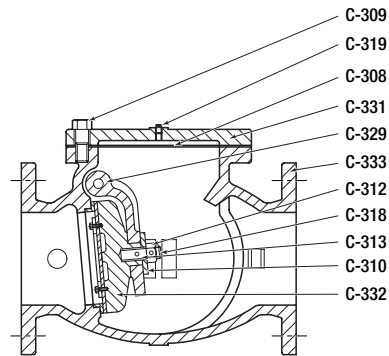
**A-2600-6-02BB**

### Options

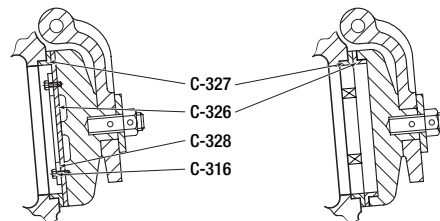
- PN 10/PN 16 Flange Drilling 4"-12"
- Stainless Steel Nuts & Bolts
- Tapped Bosses
- Allen Bradley Limit Switch

### Check Valve Parts (2011-present)

Catalog Part No.	Description	Material	Material Standard
C-301	Retaining Plug	Brass	ANSI B21
C-302	Stud Nut & Nut	Zinc Coated Steel	ASTM A307 Grade B
C-303	Arm B	Zinc Coated Steel	ASTM A36
C-306	O-ring C	Rubber	ASTM D2000, BK 707
C-307	O-ring B	Rubber	ASTM D2000, BK 707
C-308	Gasket	Rubber	ASTM D2000, BK 807
C-309	Cover Bolt	Zinc Coated Steel	ASTM A307 Grade B
C-310	Washer	Brass	ANSI B21
C-311	Spacer	Brass	ANSI B21
C-312	Disc Nut	Brass	ANSI B21
C-313	Disc Stud	Brass	ANSI B21
C-314	Snap Ring	Stainless Steel	ASTM A276 Type 420
C-317	Spring	Zinc Coated Steel	ASTM A307 Grade B
C-318	Pin	Stainless Steel	ASTM A276 Type 304
C-319	Test Plug	Malleable Iron	ASTM A47
C-320	Key	Stainless Steel	ASTM A276 Type 304
C-321	Hinge Pin	Stainless Steel	ASTM A276 Type 304
C-322	Weight Arm	Ductile Iron	ASTM A536 ▼
C-323	Bolt & Nut	Zinc Coated Steel	ASTM A307 Grade B
C-324	Bolt	Zinc Coated Steel	ASTM A307 Grade B
C-325	Seat Nut	Brass	ANSI B21
C-327	Body Seat Ring	Bronze	ANSI B62
C-329	Arm	Ductile Iron	ASTM A536 ▼
C-331	Cover	Cast Iron	ASTM A126 Cl. B
C-332	Disc	Cast Iron	ASTM A126 Cl. B
C-333	Body	Cast Iron	ASTM A126 Cl. B
<b>Rubber Faced Disc Parts</b>			
C-316	Disc Seat Bolt	Stainless Steel	ASTM A276 Type 304
C-326	Disc Seat Ring	Rubber	ASTM D2000, BK 807
C-328	Seat Holder	Cast Iron*	ASTM A126 Cl. B
<b>Bronze Faced Disc Parts</b>			
C-326	Disc Seat Ring	Bronze	ANSI B62

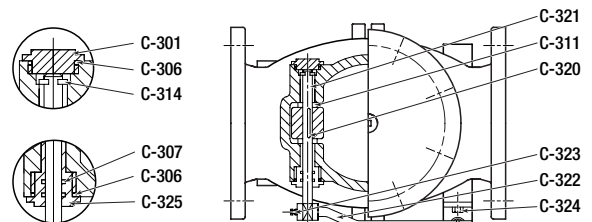


**Valve body and clapper**  
Rubber faced disc shown

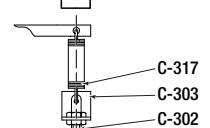


**Rubber faced disc clapper**

**Bronze faced disc clapper**



**Hinge pin and stuffing box**



**Spring lever assembly**

\*2"- 6" sizes are cast iron, ASTM A126 Cl. B, 8"- 12" sizes are ductile iron ASTM A536

▼ Material strength ASTM A536 65-45-12 minimum