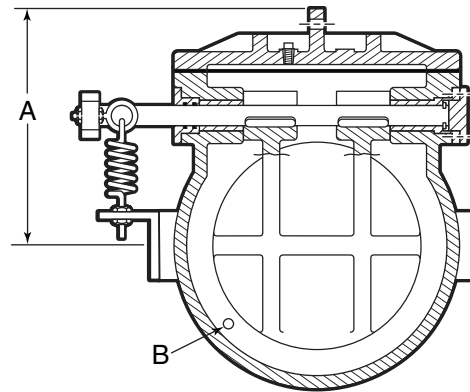
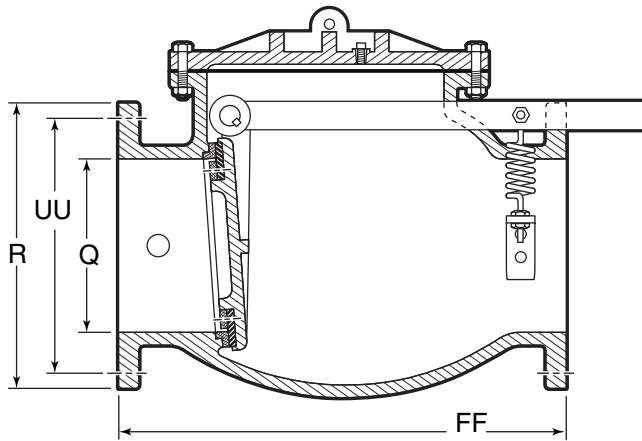


8001 SERIES 14"-36" SWING TYPE LEVER AND SPRING CHECK VALVES WITH FL. X FL.

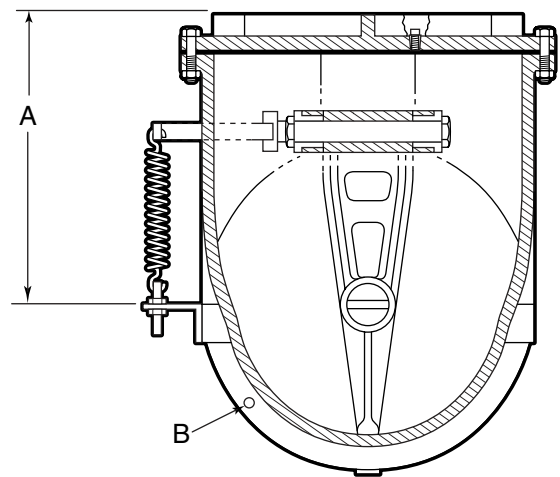
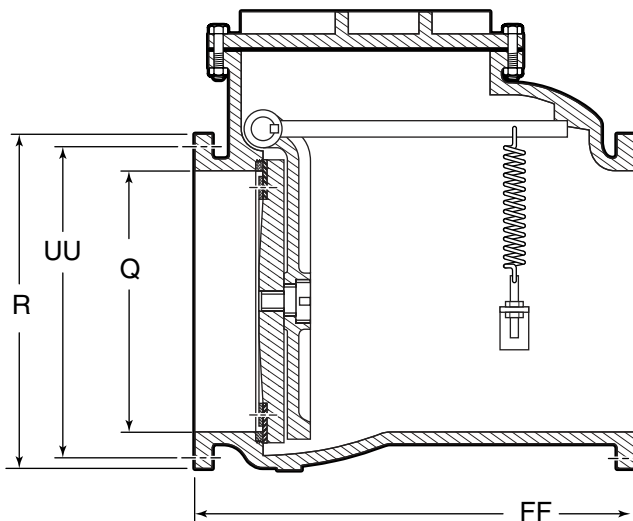


13.11

Shaded area indicates change Rev. 5-15



18"-36" Check Valve



Dimension**	Size*						
	14"	16"	18"	20"	24"	30"	36"
Q	14.00	16.00	18.00	20.00	24.00	30.00	36.00
R	21.00	23.50	18.00	27.50	32.00	38.75	46.00
FF	31.00	36.00	36.00	39.50	45.00	52.50	60.50
A	19.32	21.50	24.50	26.38	30.25	36.38	40.00
UU (bolt circle diameter)	18.75	21.25	22.75	25.00	29.50	36.00	42.75
B (number and size of bolts)	12 – 1.13	16 – 1.13	16 – 1.25	20 – 1.25	20 – 1.38	28 – 2.13	32 – 2.38
Weight	1,073	1,387	1,738	2,128	3,010	5,836	7,526

*Nominal

**All dimensions are in inches. All weights are in pounds and are approximate.