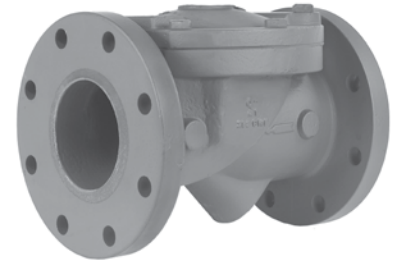


Rev. 3-16 Shaded area indicates changes

Model 851A

- Sizes –2", 2-1/2", 3", 4", 6", 8", 10", 12", 14", 16", 18", 20", 24"
- Ductile iron body and cover
- Epoxy coated interior & exterior for corrosion resistance
- Certified to ANSI/NSF 61
- Stainless steel bolts
- Buna encapsulated steel flexible disc with nylon fabric reinforcement
- Vertical or horizontal (flow upwards) installation
- 250 psig (1725 kPa/17 barg) maximum working pressure, 500 psig (3450 kPa/35 barg) test pressure



Options

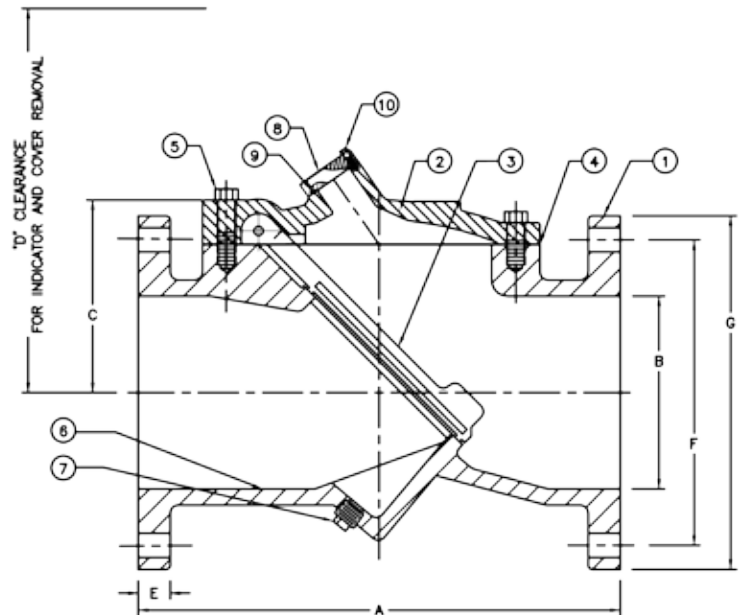
- Disc position indicator
- External backflow device - to manually open disc
- EPDM disc option
- Proximity limit switch
- Stainless steel cover bolts

Check Valve Parts

Part Number	Description	Material	Material Standard
1	Body	Ductile Iron	ASTM A-536-GR- 65-45-12
2	Bonnet	Ductile Iron	ASTM A-536-GR- 65-45-12
3	Disc	Steel/Buna-N	ASTM D2000 BK 807
4	Gasket	Rubber (Buna N)	D2000 BK 807
5	Cap bolts	Steel/Zinc	SAE Grade 5 - Zinc plated
6	Interior lining	Epoxy	-
7	Plug	Ductile Iron	ASTM A-536-GR- 65-45-12
8	Boss cover	Ductile Iron	ASTM A-536-GR- 65-45-12
9	O-ring	Rubber (Buna)	D2000 BK 807
10	Boss cover bolts	Steel/Zinc	SAE Grade 5 - Zinc plated

Dimensions** and Weight

Valve Size*	A	B	C	D	Weight**
2"	8.00	2.00	3.38	8.38	22
2-1/2"	8.50	2.50	3.38	8.38	30
3"	9.50	3.00	3.88	9.00	40
4"	11.50	4.00	4.63	9.63	71
5"	13.75	5.00	5.13	10.25	120
6"	15.00	6.00	5.88	11.00	125
8"	19.50	8.00	7.63	13.75	222
10"	24.50	10.00	9.88	16.00	372
12"	27.50	12.00	11.38	18.50	514
14"	31.00	14.00	13.38	20.50	696
16"	32.00	16.00	15.38	23.50	987
18"	36.00	18.00	17.13	25.25	1,340
20"	40.00	20.00	19.13	29.25	1,670
24"	48.00	24.00	22.75	32.75	2,147



*Nominal

**All dimensions are in inches. All weights are in pounds and are approximate.

▼ Material strength ASTM A536 65-45-12 minimum