

MUELLER® FLEXIBLE DISC CHECK VALVE WITH MJ X MJ

Mueller Co.

13.13

Shaded area indicates change Rev. 5-15

Model 850MJ

- Sizes – 3", 4", 6", 8", 10", 12", 14", 16"
- Ductile iron body and cover
- Epoxy coated interior & exterior for corrosion resistance
- Certified to ANSI/NSF 61
- Stainless steel bolts
- Buna encapsulated steel flexible disc with nylon fabric reinforcement
- Vertical or horizontal (flow upwards) installation
- 250 psig (1725 kPa/17 barg) maximum working pressure, 500 psig (3450 kPa/35 barg) test pressure



Options

- EPDM disc

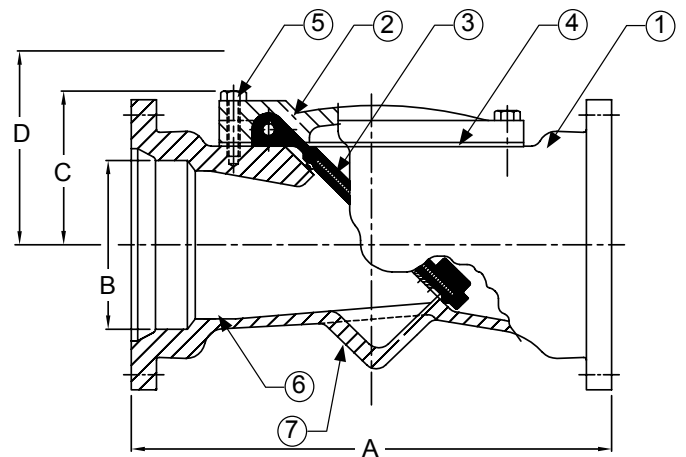
Check Valve Parts

Part Number	Description	Material	ASTM Designation
1	Body	Ductile Iron	ASTM A-536 ▼
2	Bonnet	Ductile Iron	ASTM A-536 ▼
3	Disc	Steel / BUNA-N or EPDM	ASTM A-36/D-2000 BK 807
4	Gasket	Rubber (BUNA N)	D 2000 BK 807
5	Bonnet Bolts	Stainless steel	MJ - Type 304
6	Interior Lining	Epoxy	-
7*	Plug	Ductile Iron	ASTM A-536 ▼
8	Exterior Coating	MJ - epoxy / FL - primer	-

Dimensions

Dimension "D" clearance required to remove access cover

Valve Size	A	B	C	D
3	13	3	3.90	9
4	14.96	4	4.65	9.75
5	–	5*	–	10.25*
6	19.3	6	6.22	11
8	23.81	8	7.80	13.75
10	28.34	10	10.20	16
12	33	12	11.38	18.5
14	35	14	12.00	20.5
16	37	16	13.58	23.5



Standard mechanical joint ends comply with ANSI/AWWA C111.

▼ Material strength ASTM A536 65-45-12 minimum